

6

5

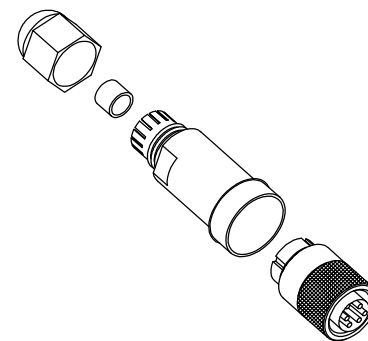
4

3

2

1

MATERIAL NUMBER	OLD PART NUMBER	COUPLING NUT MATERIAL	COUPLING NUT FINISH
130017-0026	1A5002-34	BRASS	NICKEL PLATED
130017-0027	1A5002-348	STAINLESS STEEL	PASSIVATED

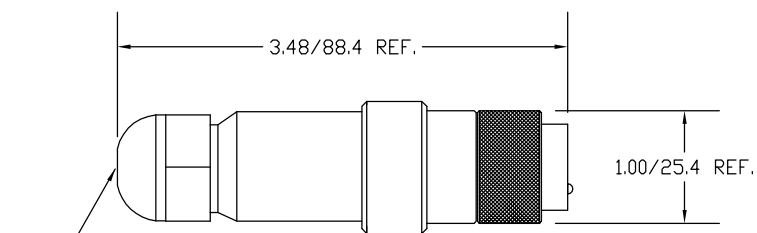


E

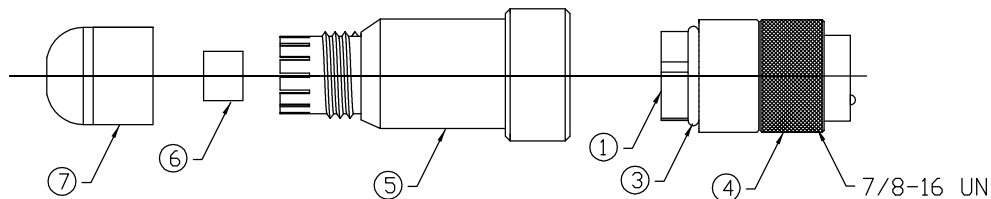
E

D

D

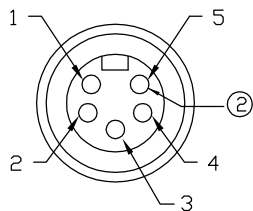


O.D. CABLE RANGE
.20-.48/5.0-12.0

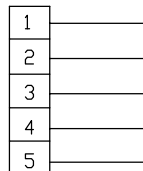


C

C



MALE FACE VIEW



WIRING CHART

B

B

VOLTAGE RATING	600VAC/VDC
AMPERAGE RATING	8 AMPS
PROTECTION	IP67
OPERATING TEMPERATURE	-20°C TO 80°C
CSA CERTIFICATIONS	CSA CERTIFIED, FILE NO. LR6837

A

A

ITEM	COMPONENT	MATERIAL	FINISH
1	INSERT	NYLON	BLACK
2	PIN CONTACTS	COPPER ALLOY	GOLD PLATED
3	O-RING	NITRILE	BLACK
4	COUPLING NUT	SEE CHART	SEE CHART
5	MOLDED BODY	NYLON	BLACK
6	GROMMET	NITRILE	BLACK
7	CORD GRIP BODY	NYLON	BLACK

EC NO: WNA2010-0067 DRWN: BWOODMAN 7/29/09 CHKD: --- APPR: JFMURPHY 2009/08/10	1	QUALITY SYMBOLS
	2	GENERAL TOLERANCES (UNLESS SPECIFIED)
	3	DIMENSION STYLE IN/MM
	4	SCALE
A	REV	DESCRIPTION

▽=0 ∇=0	GENERAL TOLERANCES (UNLESS SPECIFIED)	
	mm	INCH
DRAFT WHERE APPLICABLE MUST REMAIN WITHIN DIMENSIONS	4 PLACES	±----
	3 PLACES	±----
	2 PLACES	±.01
	1 PLACE	±0.3
	ANGULAR ±----°	

DRAWN BY	DATE
BW	2009/04/16
CHECKED BY	DATE
TW	2009/04/17
APPROVED BY	DATE
---	---
MATERIAL NO.	SEE CHART
SIZE	A

SCALE	DESIGN UNITS	THIRD ANGLE PROJECTION
----	----	☉
TITLE		
MINI 5P MALE ATTACH INT. .20-.48 O.D. CABLE RANGE		
Molex MOLEX INCORPORATED		
DOCUMENT NO.	SD-130017-006	SHEET NO.
		1 OF 1
THIS DRAWING CONTAINS INFORMATION THAT IS PROPRIETARY TO MOLEX INCORPORATED AND SHOULD NOT BE USED WITHOUT WRITTEN PERMISSION		

6

5

4

3

2

1