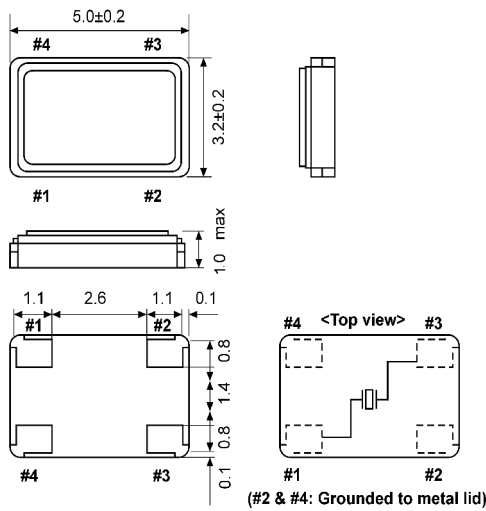


# Quartz Crystal

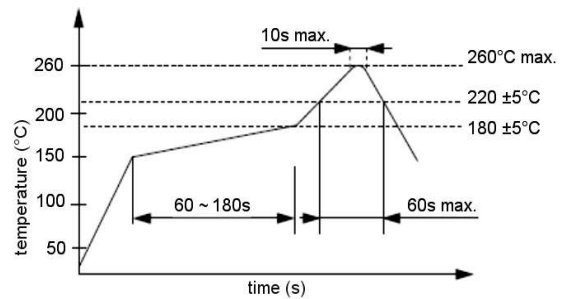
SMD-version

model	KX – 9AT
frequency	32,0 MHz
mode	fundamental
operating temperature	-40° ~ + 85°C
frequency tolerance at +25°C	± 30 ppm
temperature tolerance -40° ~ + 85°C	± 30 ppm
load capacitance $C_L$	16 pF
series resonance R1 max.	40 Ohm
aging at 25°C ( first year )	± 2 ppm
shunt capacitance $C_O$ max.	5,0 pF
drive level in mW max.	0,05
contents of reel	1000 pcs.
part no.	12.89155

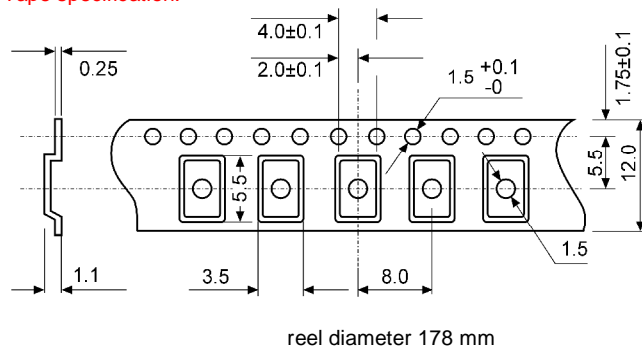
**Dimensions (mm):**



**Reflow soldering condition:**



**Tape specification:**



**Suggested soldering pad:**

