

MATERIALS AND FINISHES:

BODY, JAM NUT: BRASS
PLATED BRIGHT TIN OVER NICKEL

RETAINING CLIPS: BECU

CENTER CONTACT: PHOS BRONZE
PLATED GOLD (30μ-in MIN) OVER
NICKEL (100μ-in MIN) IN CONTACT AREA

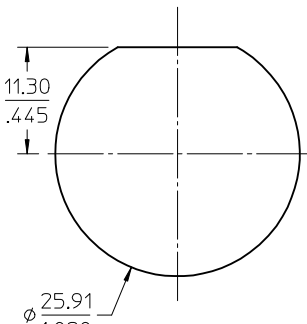
INSULATOR: PBT 30% GF (BLACK)

RIVETS: STAINLESS STEEL
PASSIVATED

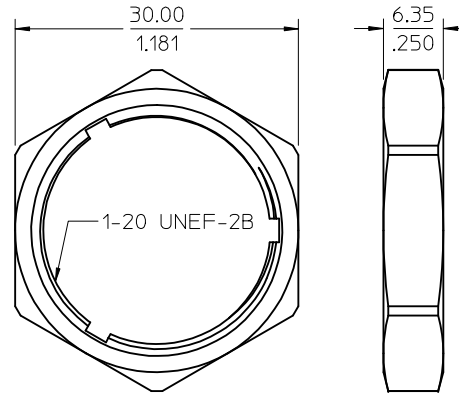
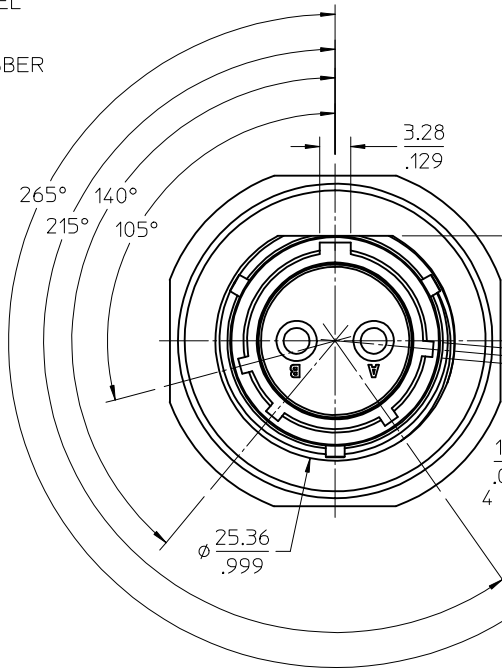
RETAINING RING: CARBON STEEL

O-RING/GASKET: SILICONE RUBBER

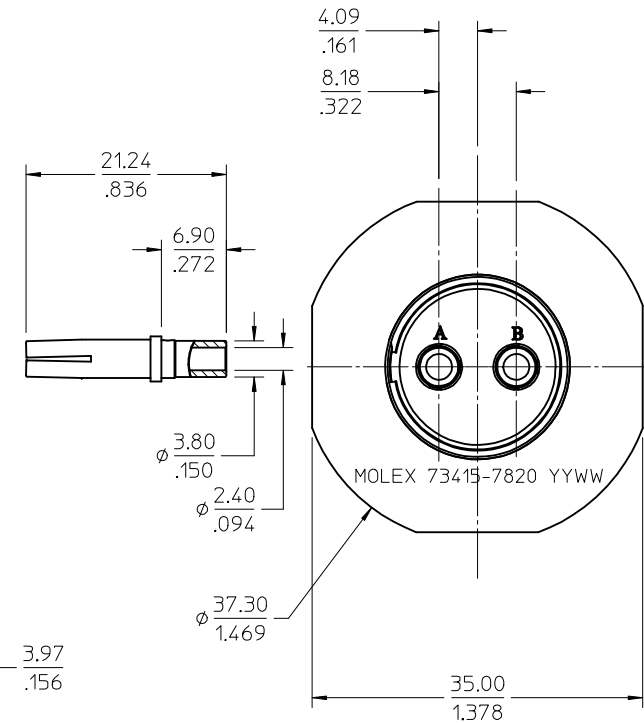
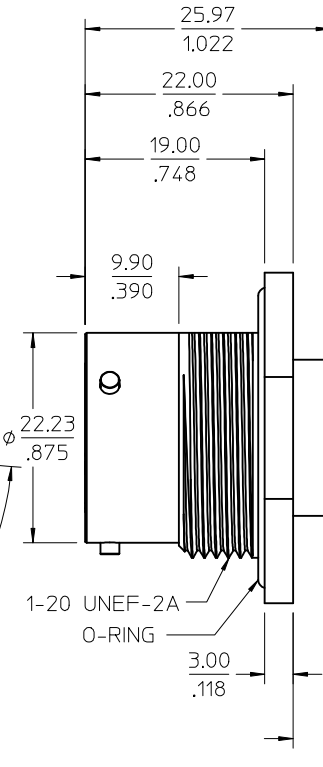
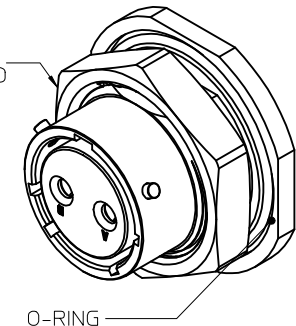
DUST CAP: PE (ESD)



PANEL CUT-OUT
2.75mm MAX
THICKNESS



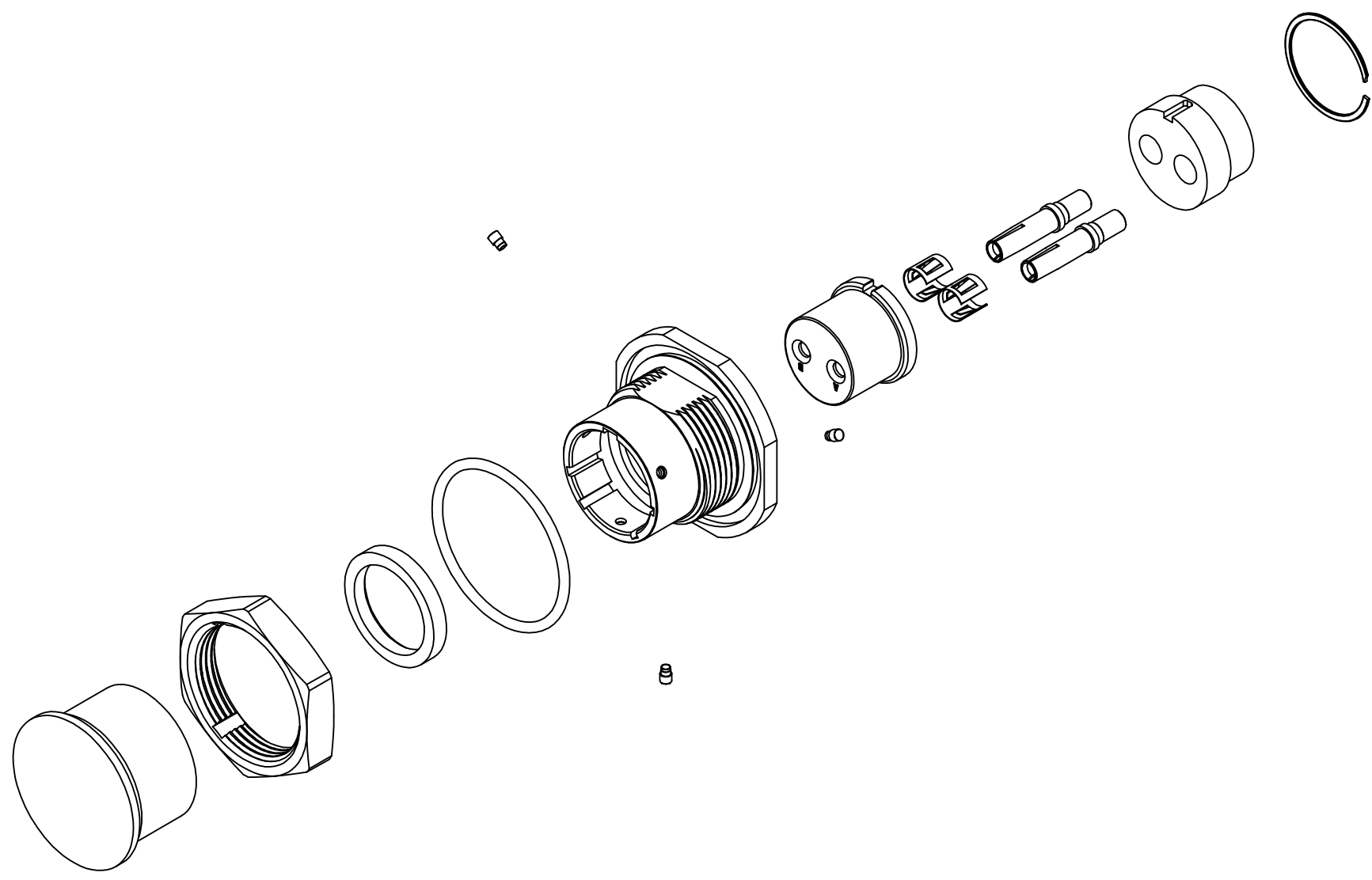
JAM NUT
WILL BE MOUNTED
TO CONNECTOR



SEE SHEET 2 FOR EXPLODED VIEW

| | | |
|------------|----------|----------|
| 73415-7821 | OMIT | OMIT |
| 73415-7820 | INCLUDED | INCLUDED |
| PART NO. | CONTACTS | CAP |

| <p>CHG:UPDATE THE DESCRIPTION EWR RF-15-E208 EC NO: URF-2015-0650 DRWNSH001 2015/05/21 CHKD: APPR:YCHENG 2015/06/01</p> | QUALITY SYMBOLS | GENERAL TOLERANCES (UNLESS SPECIFIED) | DIMENSION STYLE | SCALE | DESIGN UNITS | THIRD ANGLE PROJECTION | | | | | | | | | | | | | | | |
|---|--|--|----------------------------------|---------------------------|--------------|------------------------|-------|--------|----------|-------|--------|----------|--------|--------|---------|-------|--------|-------|--------|---|--|
| | <p>▽=0 ▽=0</p> | <table border="1"> <tr> <th></th> <th>mm</th> <th>INCH</th> </tr> <tr> <td>4 PLACES</td> <td>± .15</td> <td>± .005</td> </tr> <tr> <td>3 PLACES</td> <td>± .10</td> <td>± .004</td> </tr> <tr> <td>2 PLACES</td> <td>± .075</td> <td>± .003</td> </tr> <tr> <td>1 PLACE</td> <td>± .05</td> <td>± .002</td> </tr> </table> | | mm | INCH | 4 PLACES | ± .15 | ± .005 | 3 PLACES | ± .10 | ± .004 | 2 PLACES | ± .075 | ± .003 | 1 PLACE | ± .05 | ± .002 | MM/IN | METRIC | <p>DRAWN BY: AROBERTSON DATE: 2011/07/25 CHECKED BY: SSS DATE: 2011/07/25 APPROVED BY: JWIENER DATE: 2012/02/10</p> | <p>TITLE: POWER CONNECTOR 2 FEMALE PIN PANEL MOUNT POWER-J, EWR-4755</p> |
| | | mm | INCH | | | | | | | | | | | | | | | | | | |
| | 4 PLACES | ± .15 | ± .005 | | | | | | | | | | | | | | | | | | |
| 3 PLACES | ± .10 | ± .004 | | | | | | | | | | | | | | | | | | | |
| 2 PLACES | ± .075 | ± .003 | | | | | | | | | | | | | | | | | | | |
| 1 PLACE | ± .05 | ± .002 | | | | | | | | | | | | | | | | | | | |
| <p>ANGULAR ± 2°</p> | <p>DRAFT WHERE APPLICABLE MUST REMAIN WITHIN DIMENSIONS</p> | <p>MATERIAL NO. 734157820</p> | <p>DOCUMENT NO. SD-73415-782</p> | <p>SHEET NO. 1 OF 2</p> | | | | | | | | | | | | | | | | | |
| <p>A3</p> | <p>THIS DRAWING CONTAINS INFORMATION THAT IS PROPRIETARY TO MOLEX INCORPORATED AND SHOULD NOT BE USED WITHOUT WRITTEN PERMISSION</p> | <p>MOLEX MOLEX INCORPORATED</p> | <p>MOLEX INCORPORATED</p> | <p>MOLEX INCORPORATED</p> | | | | | | | | | | | | | | | | | |



| | |
|------------------------|-----------------|
| CHG: SEE SHEET 1 | QUALITY SYMBOLS |
| EC NO: URF2015-0650 | ▽=0 |
| DRWN:SH001 2015/05/21 | ▽=0 |
| CHKD: | |
| APPR:YCHENG 2015/06/01 | |
| REV | DESCRIPTION |
| A3 | |

| | |
|--|---------|
| GENERAL TOLERANCES (UNLESS SPECIFIED) | |
| | mm INCH |
| 4 PLACES ± | ± |
| 3 PLACES ± | ± |
| 2 PLACES ± | ± |
| 1 PLACE ± | ± |
| ANGULAR ± 2 ° | |
| DRAFT WHERE APPLICABLE MUST REMAIN WITHIN DIMENSIONS | |

| | |
|-----------------|------------|
| DIMENSION STYLE | |
| MM/IN | |
| DRAWN BY | DATE |
| AROBERTSON | 2011/07/25 |
| CHECKED BY | DATE |
| SSS | 2011/07/25 |
| APPROVED BY | DATE |
| JWIENER | 2012/02/10 |
| MATERIAL NO. | |
| SEE SHEET 1 | |
| SIZE | |
| C | |

| | | |
|---|--------------|------------------------|
| SCALE | DESIGN UNITS | THIRD ANGLE PROJECTION |
| | METRIC | |
| TITLE | | |
| POWER CONNECTOR | | |
| 2 FEMALE PIN PANEL MOUNT | | |
| POWER-J, EWR-4755 | | |
| MOLEX INCORPORATED | | SHEET NO. |
| DOCUMENT NO. | | 2 OF 2 |
| SD-73415-782 | | |
| THIS DRAWING CONTAINS INFORMATION THAT IS PROPRIETARY TO MOLEX INCORPORATED AND SHOULD NOT BE USED WITHOUT WRITTEN PERMISSION | | |