



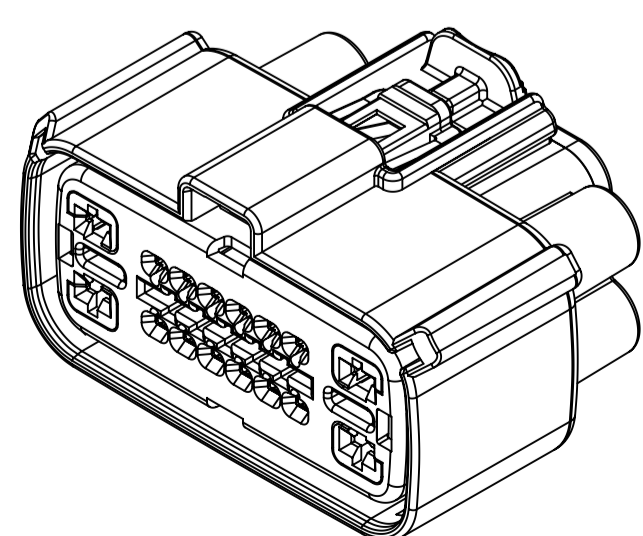
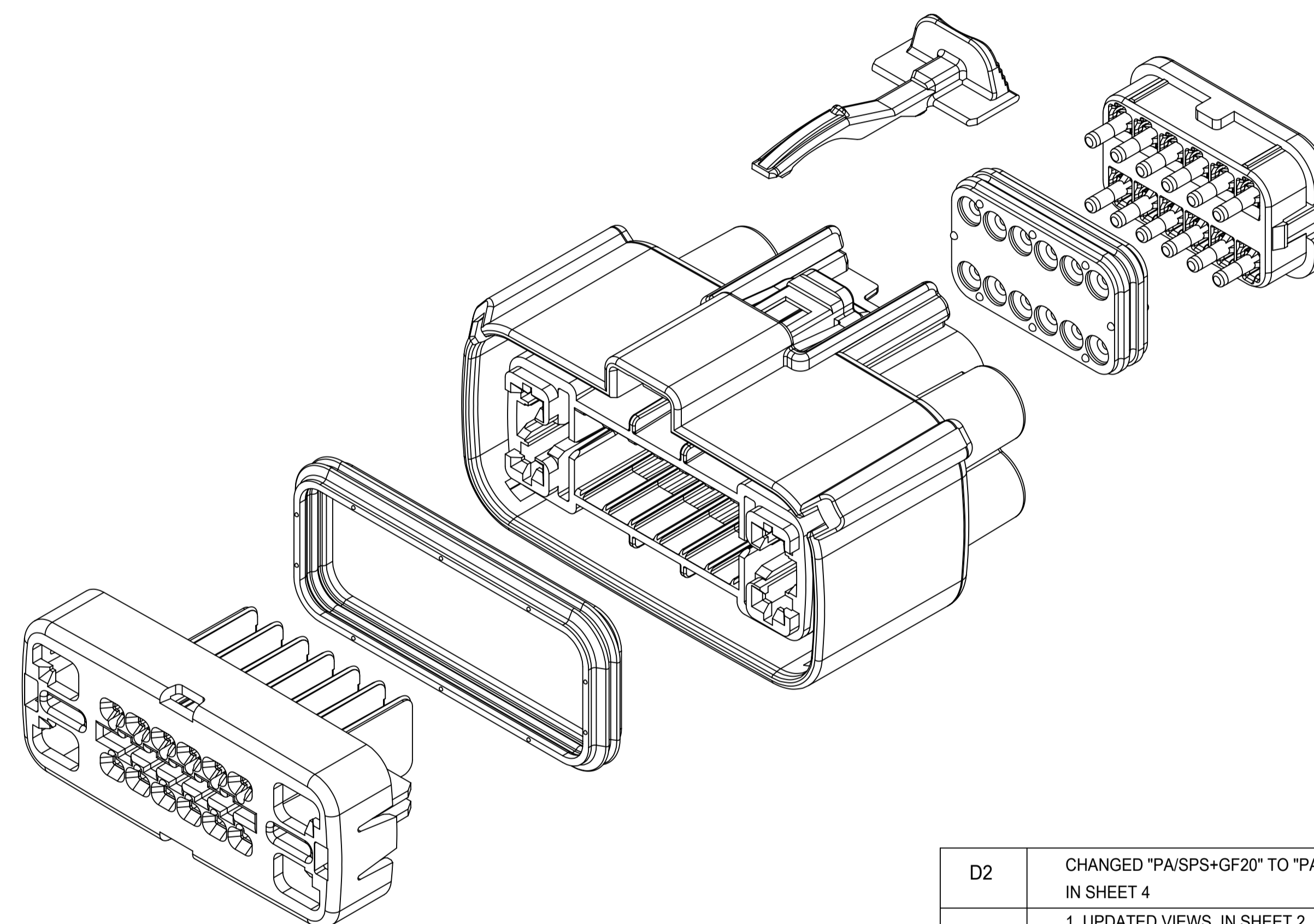
TABLE OF CONTENTS	
SHEET NO.	SHEET DESCRIPTION
1	NOTES AND BOM
2	CONFIGURATIONS
3	KEY CONFIGURATIONS
4	RECEPTACLE CONNECTOR ASSEMBLY

NOTES: VALID UNLESS OTHERWISE SPECIFIED

1. GENERAL:
- a. APPLICATION SPECIFICATION SEE: AS-33472-100
- CONTAINS: PRODUCT INTRODUCTION, PRODUCT SUMMARY, CONNECTOR ASSEMBLY, PACKAGING INFORMATION, CONNECTOR MATING, SERVICE INSTRUCTIONS, ELECTRICAL CONTINUITY CHECKING, CRIMPING, AND TROUBLESHOOTING.
  - DESIGNED TO MATE WITH DEVICE OR CONNECTOR AS SPECIFIED IN THE MATING INTERFACE/CONNECTOR DRAWINGS CHART.
  - \*DENOTES DRAWINGS THAT CAN BE ACCESSED AT <http://ewcap.uscarteams.org/>.
  - ASSEMBLY SHIPPED WITH PLR IN PRE-LOCK POSITION (SEE PLR PRE-LOCK VIEW SHEET 4).
- b. PRODUCT SPECIFICATION SEE: PS-33476-000
- CONTAINS: PRODUCT INTRODUCTION, PRODUCT SUMMARY, RATINGS (CURRENT, TEMPERATURE, SEALING, AND FLAMMABILITY), TERMINALS, WIRE DIAMETER RANGE, PRODUCT VALIDATION, AND PRODUCT DEVIATIONS.
- c. PACKAGING SPECIFICATION PER MOLEX DRAWING: SEE PACKAGING CHART
- d. PARTS MUST BE IN COMPLIANCE TO MOLEX CHEMICAL SUBSTANCES FOR PRODUCTS AND PACKAGING SPECIFICATION: QEHS-699000-300
- e. DATA MUST BE SUBMITTED UNDER THE MOLEX PART NUMBER TO IMDS (COMPANY ID#13255)
2. DESIGN - MATERIALS:
- a. SEE BOM TABLE IN SD-34985-8002
3. DESIGN - GEOMETRY:
- a. THE 3-D CAD DATA IS BASIC (WITHOUT TOLERANCE) AND MASTER FOR THIS PART WITH THE EXCEPTION OF UNDERLINED DIMENSIONS. DIMENSIONAL INFORMATION NOT SHOWN ON THIS DRAWING IS DEFINED BY THE DATA FILE AT ITS LATEST REVISION.
- b. GEOMETRIC DIMENSIONS AND TOLERANCES PER ASME Y14.5M-2009
- c. EDGES AND UNDIMENSIONED DETAILS PER ISO13715
- d. CORNERS SHOWN AS SHARP TO BE R 0.2 MAX.
- e. LETTERING SHALL BE 0.15 MAX RAISED IN 0.25 MAX RECESS PAD. THIS INCLUDES RECYCLING CODE, CAVITY ID, VENDOR IDENTIFICATION, AND CUSTOMER MATERIAL NUMBER.
- f. VISUAL DEFECTS SHALL MEET COSMETIC STANDARD PS-45499-002 (Class B).
- g. LASER MARKING:
1. PART NUMBER
  2. DAY OF THE YEAR
  3. SHIFT
  4. YEAR
- FOR ADDITIONAL INFORMATION SEE SECTION 5 UNDER PROCEDURES IN ES-34735-008.

PACKAGING	
DESCRIPTION	DRAWING NO.
W/ CLIPSLOT	PK-30907-895
W/O CLIPSLOT	PK-31300-094

MATING INTERFACE/CONNECTOR DRAWINGS		
DESCRIPTION	INTERFACE DEFINITION	MOLEX INLINE
W/O SHORTING BAR	*999-S-016-2-Z02	SD-34986-8001
W/ SHORTING BAR	N/A	SD-34986-8001



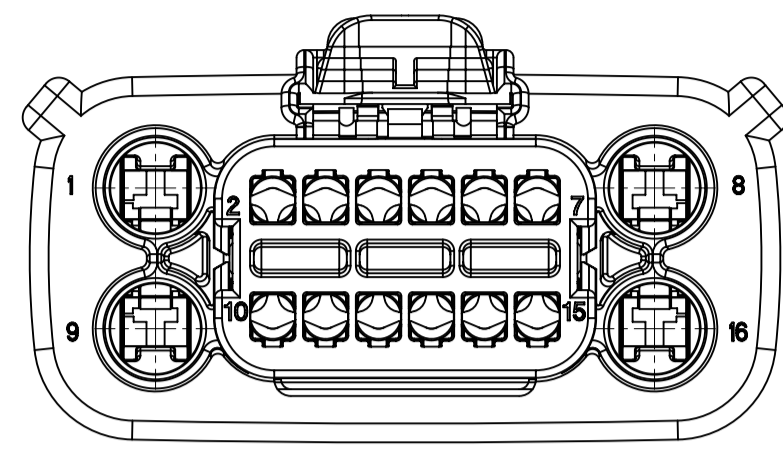
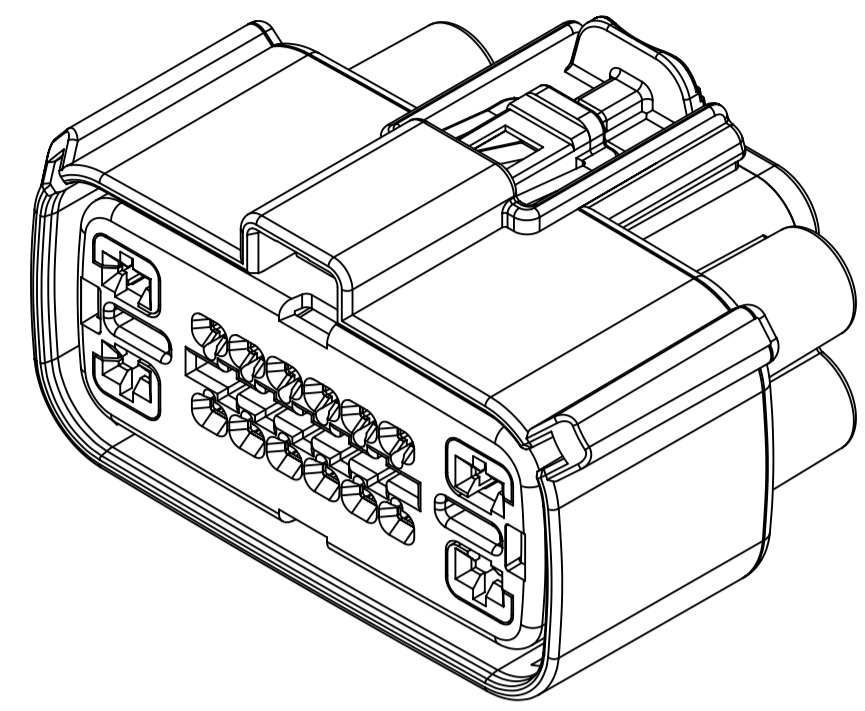
INSPECTION NUMBER LOG	
LAST NUMBER:	11
ADDED:	
REMOVED:	

D2	CHANGED "PA/SPS+GF20" TO "PA/SPS-GF20" IN SHEET 4
D1	1. UPDATED VIEWS IN SHEET 2 2. CHANGED DIM 10.98 TO 11.00, 6.61 TO 6.60, 15.00+/-0.10 TO 15.00+0.30/-0.20 IN SHEET 4
D	REMOVED BOM (REFER TO SD-34985-8002)
C	NEW P/N 34985-4026 THRU 4028
B	NEW P/N 34985-4023 THRU 4025
A2	UPDATED PACKAGING DWGS
A1	FIXED TYPO IN NOTE 1a
A	INITIAL RELEASE
REV	REV DESCRIPTION

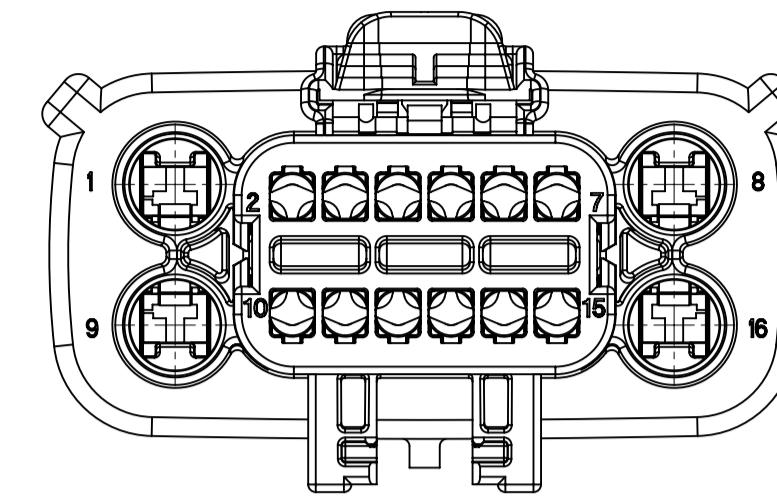
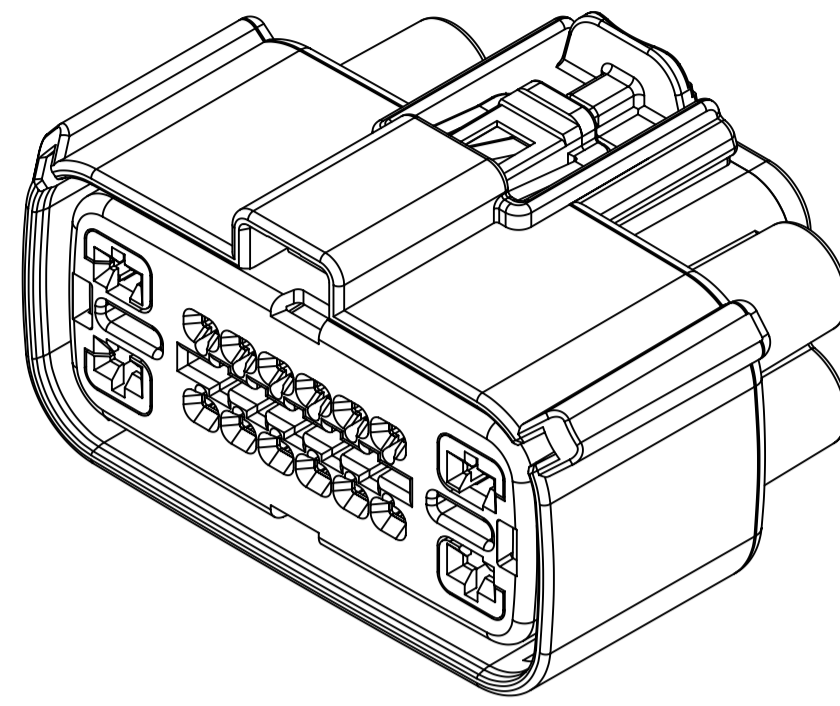
SYMBOLS	THIS DRAWING CONTAINS INFORMATION THAT IS PROPRIETARY TO MOLEX ELECTRONIC TECHNOLOGIES, LLC AND SHOULD NOT BE USED WITHOUT WRITTEN PERMISSION		CURRENT REV DESC:	
	DIMENSION UNITS	SCALE		
	mm	1.5:1		
	GENERAL TOLERANCES (UNLESS SPECIFIED)			
	ANGULAR TOL ± 3.0°			
	4 PLACES	±		
	3 PLACES	±		
	2 PLACES	± 0.1		
	1 PLACE	± 0.3		
	0 PLACES	±		
	DRAFT WHERE APPLICABLE MUST REMAIN WITHIN DIMENSIONS			
	THIRD ANGLE PROJECTION			
			DRAWING	SERIES
			A1-SIZE	34985
EC NO: 619601				
DRWN: HKLIANG 2019/07/25				
CHK'D: MVANSLAMBROU 2019/08/02				
APPR: MVANSLAMBROU 2019/08/02				
INITIAL REVISION:				
DRWN: TYE 2014/09/12				
APPR: VKOSHY 2014/09/22				
DOCUMENT NUMBER		DOC TYPE	DOC PART	REVISION
SD-34985-8001		PSD	001	D2
MATERIAL NUMBER		CUSTOMER		SHEET NUMBER
		GENERAL MARKET		1 OF 4

# SHEET DESCRIPTION

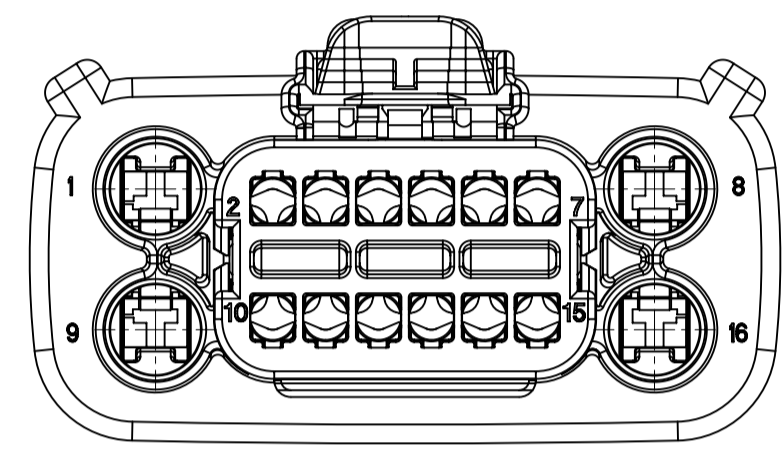
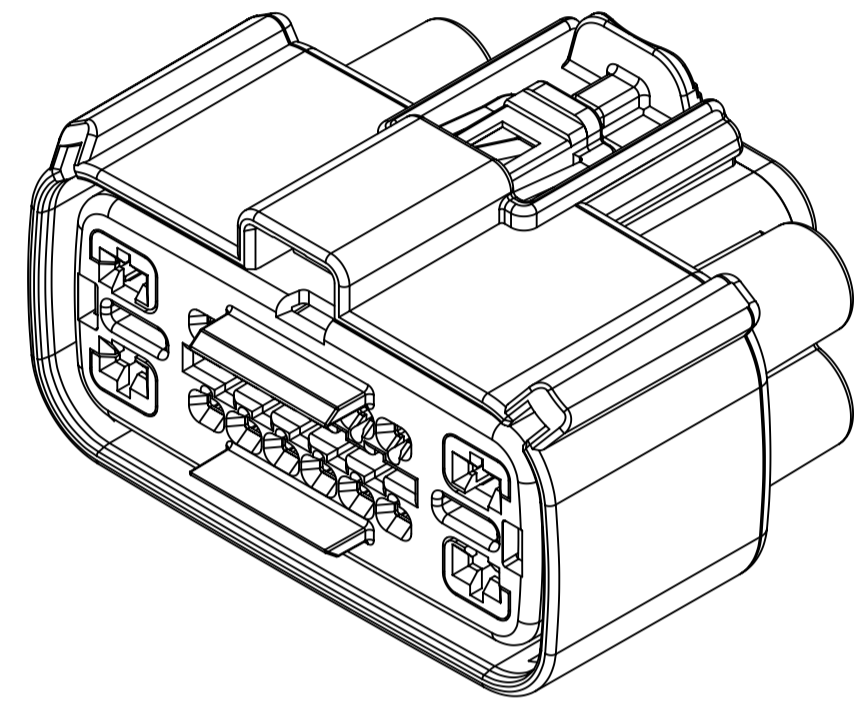
## CONFIGURATIONS



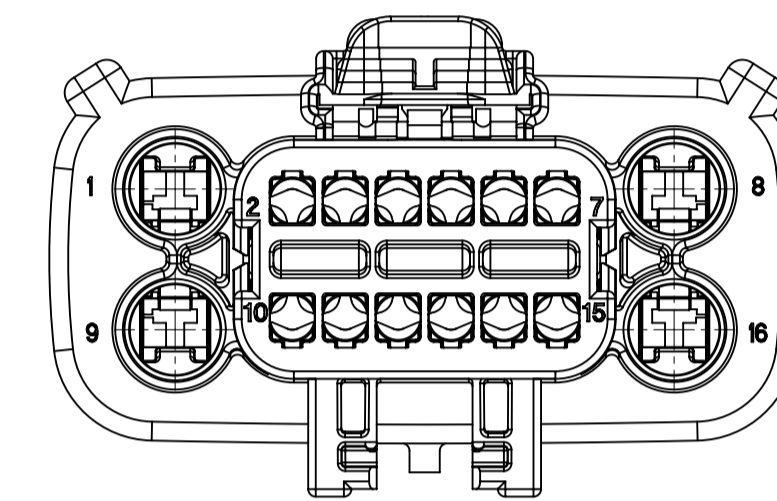
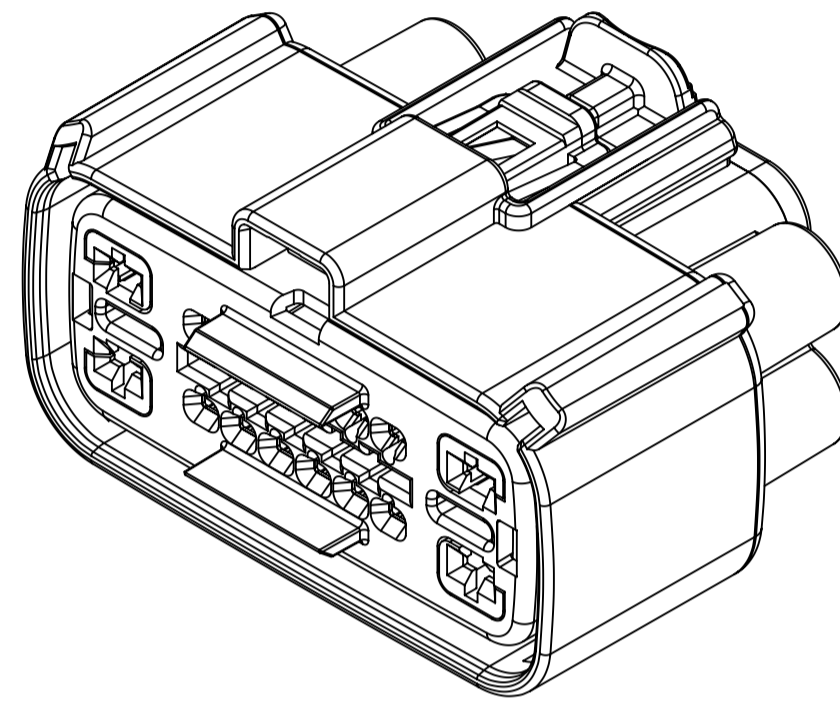
STANDARD (STD) - ALL OPEN 2.8mm CAVITIES



STANDARD (STD) - ALL OPEN 2.8mm CAVITIES WITH CLIPSLOT



SHORTING (SHRT) BAR - ALL OPEN 2.8mm CAVITIES



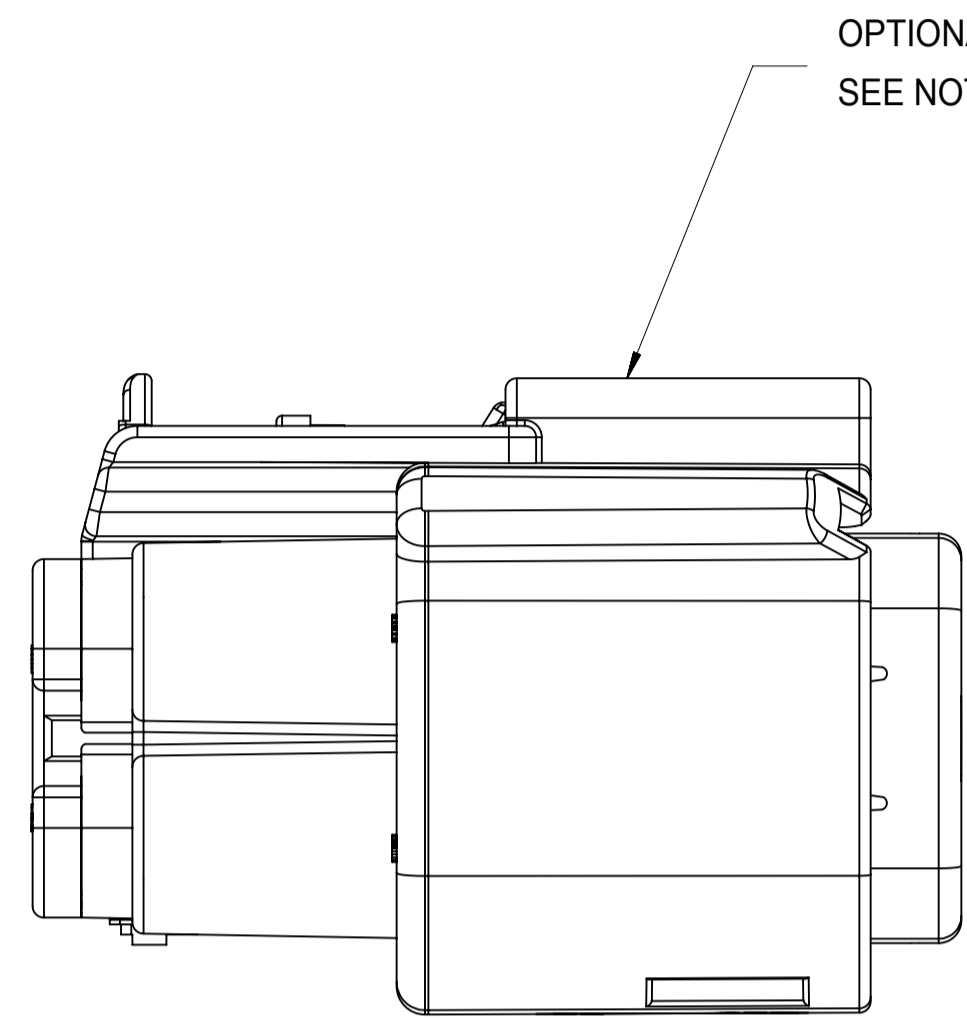
SHORTING (SHRT) BAR - ALL OPEN 2.8mm CAVITIES WITH CLIPSLOT

SYMBOLS	THIS DRAWING CONTAINS INFORMATION THAT IS PROPRIETARY TO MOLEX ELECTRONIC TECHNOLOGIES, LLC AND SHOULD NOT BE USED WITHOUT WRITTEN PERMISSION		CURRENT REV DESC:							
	DIMENSION UNITS	SCALE						EC NO: 619601	DRWN: HKLIANG	2019/07/25
▽ = 0	mm	2:1	GENERAL TOLERANCES (UNLESS SPECIFIED)		CHK'D: MVANSLAMBROU	2019/08/02	MX150 16 WAY HYBRID RECPT SEALED ASSEMBLY			
▽ = 0	ANGULAR TOL ± 3.0°		4 PLACES ±		APPR: MVANSLAMBROU	2019/08/02	PRODUCT CUSTOMER DRAWING			
▽ = 0	3 PLACES ±		2 PLACES ± 0.1		INITIAL REVISION:		DOCUMENT NUMBER	DOC TYPE	DOC PART	REVISION
▽ = 0	2 PLACES ± 0.3		1 PLACE ± 0.3		DRWN: TYE	2014/09/12	SD-34985-8001	PSD	001	D2
▽ = 0	0 PLACES ±		DRAFT WHERE APPLICABLE MUST REMAIN WITHIN DIMENSIONS		APPR: VKOSHY	2014/09/22				
▽ = 0	THIRD ANGLE PROJECTION		DRAWING		SERIES		MATERIAL NUMBER	CUSTOMER		SHEET NUMBER
	A1-SIZE		34985		GENERAL MARKET		2 OF 4			

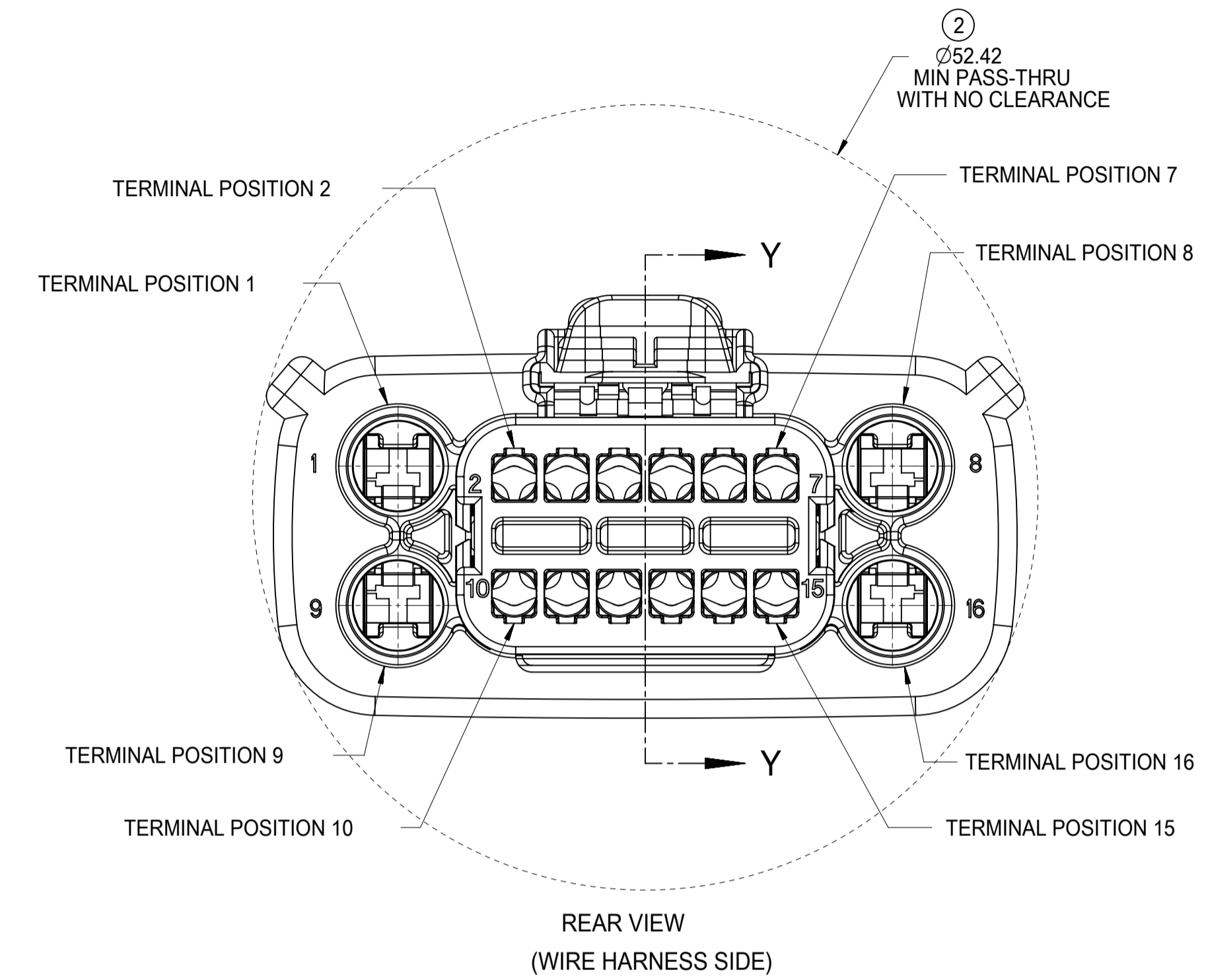
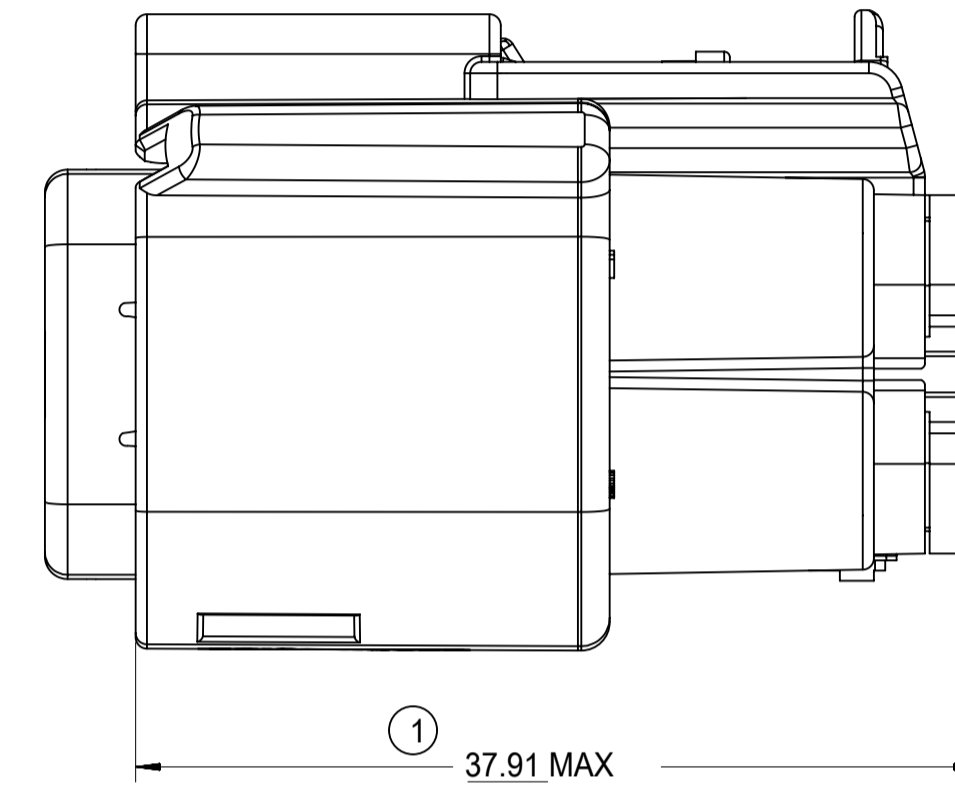
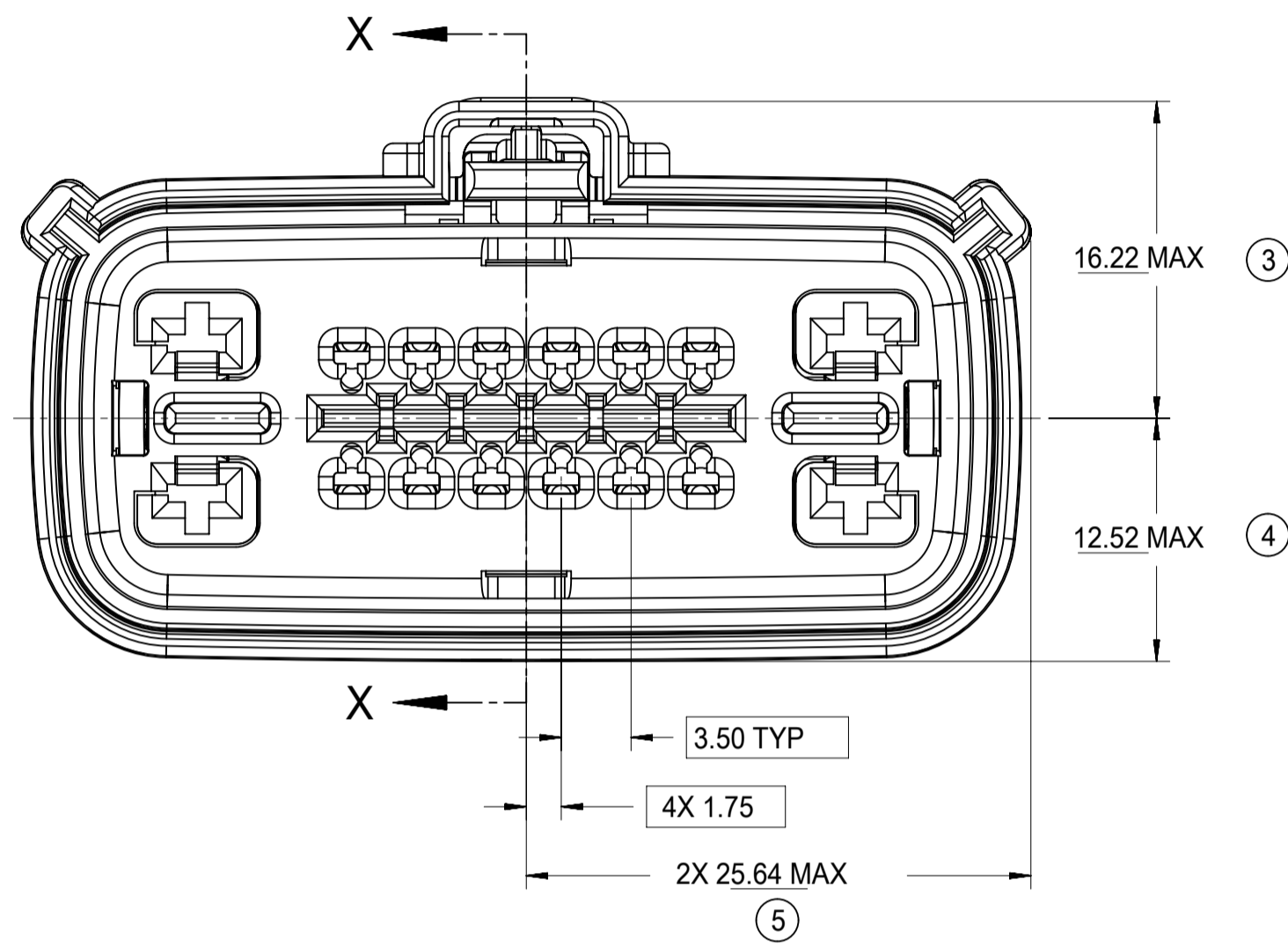


# SHEET DESCRIPTION

RECEPTACLE CONNECTOR ASSEMBLY



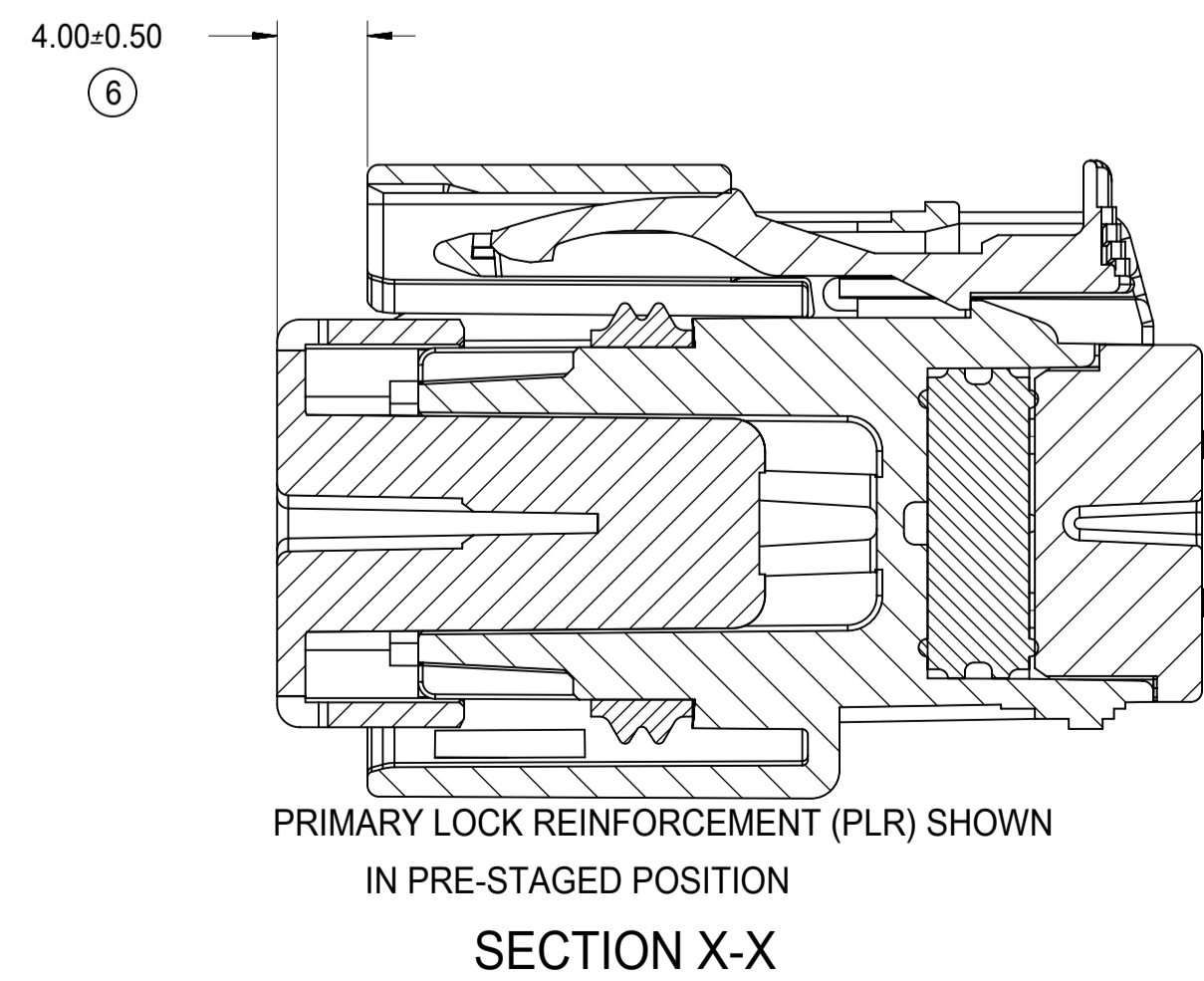
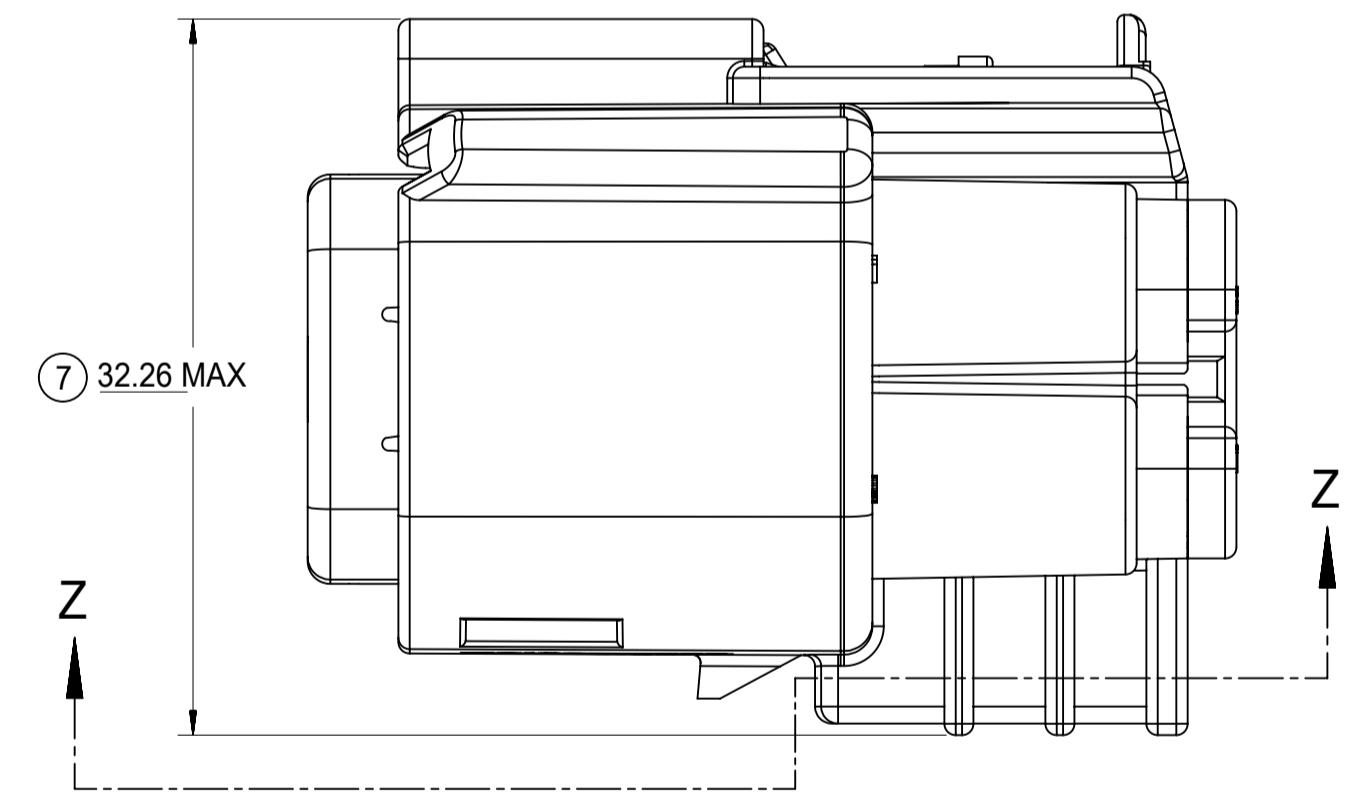
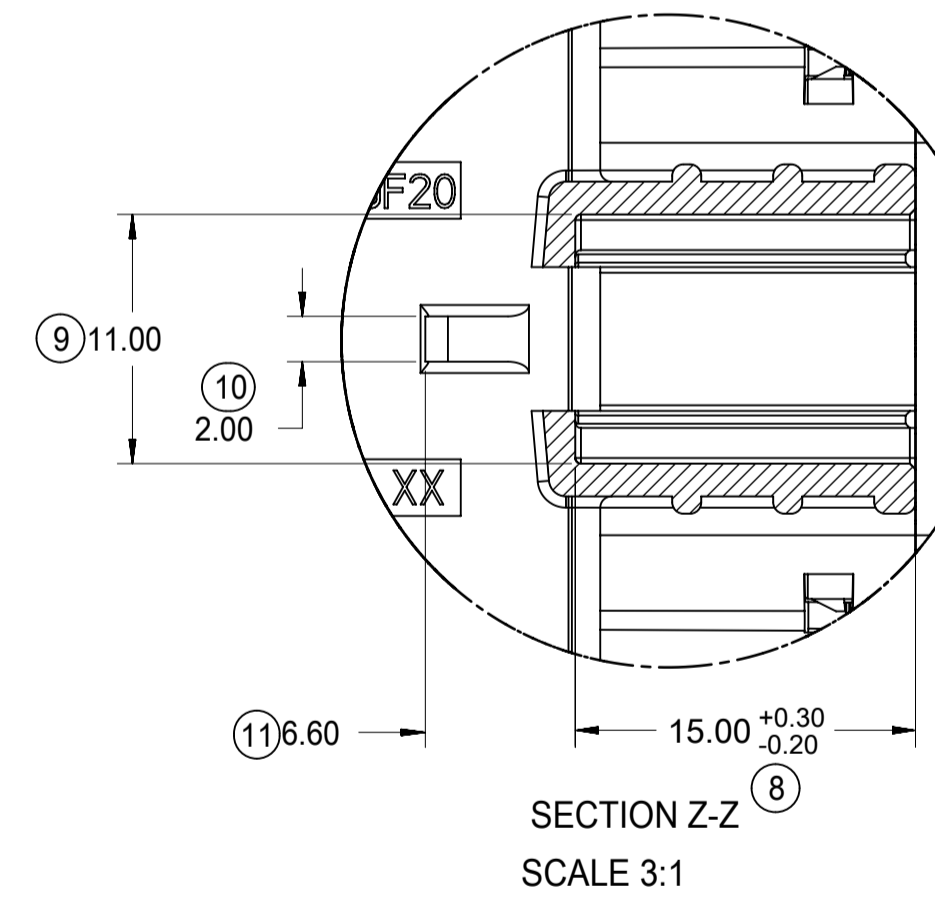
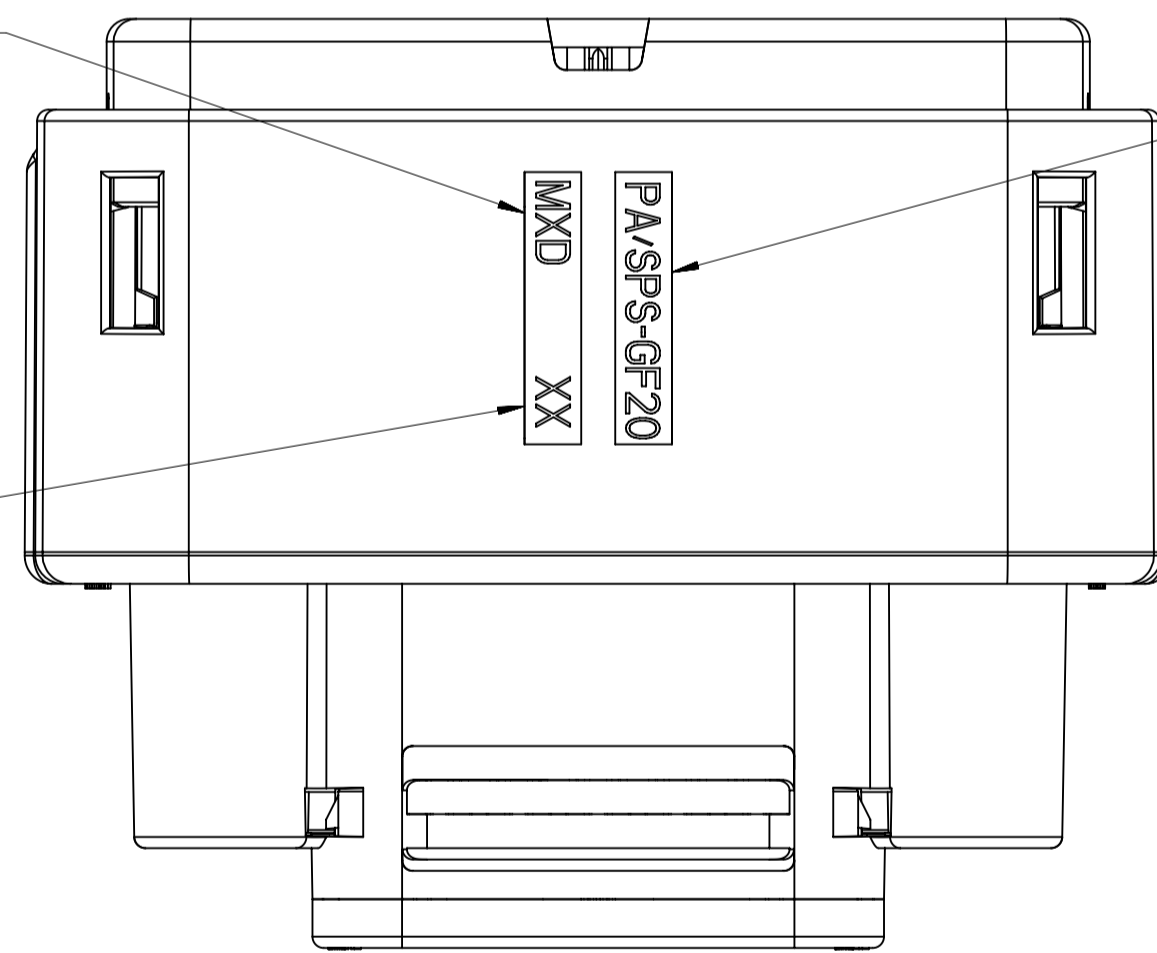
OPTIONAL LASER MARKING ON THIS SURFACE  
SEE NOTE 3g.



MANUFACTURING LOCATION  
CODE THIS LOCATION

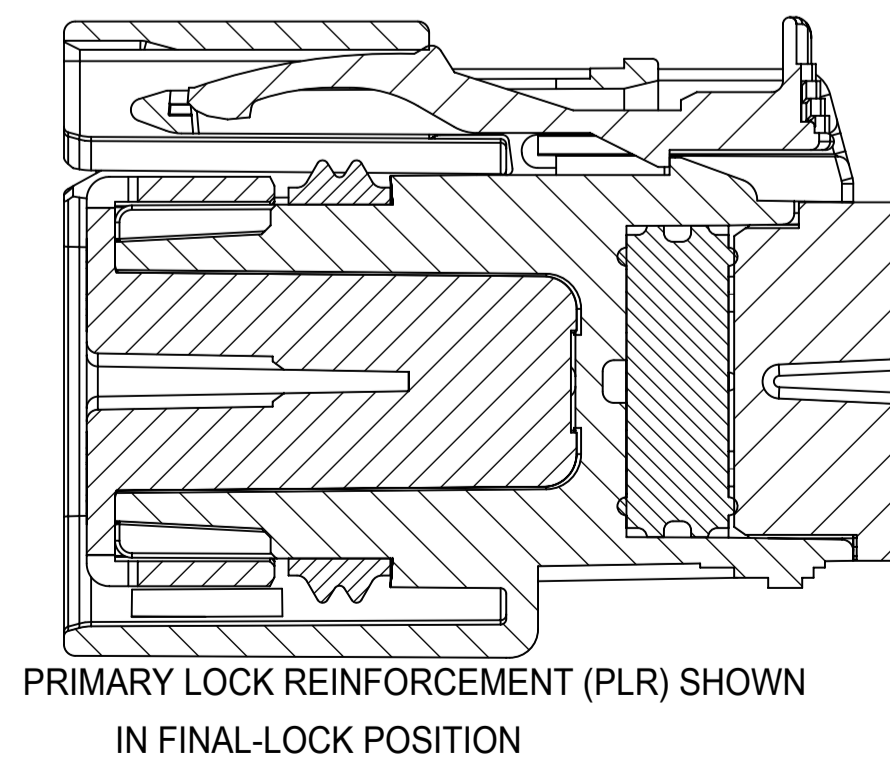
RECYCLE CODE  
THIS LOCATION

MOLD CAVITY I.D.  
THIS LOCATION



PRIMARY LOCK REINFORCEMENT (PLR) SHOWN  
IN PRE-STAGED POSITION

SECTION X-X



PRIMARY LOCK REINFORCEMENT (PLR) SHOWN  
IN FINAL-LOCK POSITION

SECTION Y-Y

SYMBOLS		THIS DRAWING CONTAINS INFORMATION THAT IS PROPRIETARY TO MOLEX ELECTRONIC TECHNOLOGIES, LLC AND SHOULD NOT BE USED WITHOUT WRITTEN PERMISSION		CURRENT REV DESC:		molex	
▽ = 0	mm	SCALE	3:1	EC NO: 619601		MX150 16 WAY HYBRID	
▽ = 0	GENERAL TOLERANCES (UNLESS SPECIFIED)			DRWN: HKLIANG 2019/07/25		RECPT SEALED ASSEMBLY	
▽ = 0	ANGULAR TOL ± 3.0°			CHK'D: MVANSLAMBROU 2019/08/02		PRODUCT CUSTOMER DRAWING	
▽ = 0	4 PLACES ±			APPR: MVANSLAMBROU 2019/08/02		DOCUMENT NUMBER	
▽ = 0	3 PLACES ±			INITIAL REVISION:		SD-34985-8001	
▽ = 0	2 PLACES ± 0.1			DRWN: TYE 2014/09/12		DOC TYPE   DOC PART   REVISION	
▽ = 0	1 PLACE ± 0.3			APPR: VKOSHY 2014/09/22		PSD 001 D2	
▽ = 0	0 PLACES ±			DRAFT WHERE APPLICABLE MUST REMAIN WITHIN DIMENSIONS		MATERIAL NUMBER	
▽ = 0	THIRD ANGLE PROJECTION	DRAWING		SERIES		CUSTOMER	
▽ = 0		A1-SIZE		34985		GENERAL MARKET	
						SHEET NUMBER	
						4 OF 4	









MX150 16 WAY HYBRID RECEPTACLE SEALED ASSEMBLY MAT SEAL (WITHOUT CLIPSLOT, 2.8mm CAVITIES OPEN)
BOM AND PIN OUT SHEET

Table with columns: ASSEMBLY DESCRIPTION, ASSEMBLY PART NUMBER, COMPONENT (HOUSING KEY/COLOR, GROMMET CAP, PLR, CPA, MAT SEAL, RING SEAL), BLOCKED TERMINALS (1-16), STATUS, COMMENTS, and OPTIONAL ATTACHMENTS SOLD SEPERATELY (BACKSHELL WITH RIBS, BACKSHELL WITHOUT RIBS).



MX150 16 WAY HYBRID RECEPTACLE SEALED ASSEMBLY MAT SEAL (WITHOUT CLIPSLOT, 2.8mm CAVITIES OPEN)  
BOM AND PIN OUT SHEET

ASSEMBLY DESCRIPTION	ASSEMBLY PART NUMBER	COMPONENT						BLOCKED TERMINALS																STATUS	COMMENTS	OPTIONAL ATTACHMENTS SOLD SEPERATELY	
		THE PRESENCE OF AN ABBREVIATION INDICATES THE PRESENCE OF THAT COMPONENT.						CAVITY WITH A NUMBER INDICATES BLOCKED TERMINAL POSITION CAVITY WITHOUT A NUMBER INDICATES OPEN TERMINAL POSITION																		BACKSHELL WITH RIBS	BACKSHELL WITHOUT RIBS
		HOUSING KEY/COLOR	GROMMET CAP	PLR	CPA	MAT SEAL	RING SEAL	1	2	3	4	5	6	7	8	9	10	11	12	13	14	15	16				
KEY B, LIGHT GRAY, W/O CPA	34985-4122	B-LG	GC	PLR		M	R					6	7				11					15		SALEABLE		NOT AVAILABLE	NOT AVAILABLE
KEY B, LIGHT GRAY, W/O CPA	34985-4123	B-LG	GC	PLR		M	R				4	5					11	12	13			15		SALEABLE		NOT AVAILABLE	NOT AVAILABLE
KEY B, LIGHT GRAY, W/O CPA	34985-4124	B-LG	GC	PLR		M	R					6	7			10	11			14		15		SALEABLE		NOT AVAILABLE	NOT AVAILABLE
KEY B, LIGHT GRAY, W/O CPA	34985-4125	B-LG	GC	PLR		M	R					5	6	7		10	11	12	13	14				SALEABLE		NOT AVAILABLE	NOT AVAILABLE
KEY B, LIGHT GRAY, W/O CPA	34985-4126	B-LG	GC	PLR		M	R					5	6	7			11	12	13					SALEABLE		NOT AVAILABLE	NOT AVAILABLE
KEY B, LIGHT GRAY, W/O CPA	34985-4127	B-LG	GC	PLR		M	R					5	6							14				SALEABLE		NOT AVAILABLE	NOT AVAILABLE
KEY B, LIGHT GRAY, W/O CPA	34985-4128	B-LG	GC	PLR		M	R		2		4	5	6	7		10	11	12	13	14	15			SALEABLE		NOT AVAILABLE	NOT AVAILABLE
KEY B, LIGHT GRAY, W/O CPA	34985-4129	B-LG	GC	PLR		M	R		2		4	5	6	7			11			14				SALEABLE		NOT AVAILABLE	NOT AVAILABLE
KEY B, LIGHT GRAY, W/O CPA	34985-4130	B-LG	GC	PLR		M	R		2		4	5	6							14				SALEABLE		NOT AVAILABLE	NOT AVAILABLE
KEY B, LIGHT GRAY, W/O CPA	34985-4131	B-LG	GC	PLR		M	R					5	6	7			11			14				SALEABLE		NOT AVAILABLE	NOT AVAILABLE
KEY B, LIGHT GRAY, W/O CPA	34985-4132	B-LG	GC	PLR		M	R		2		4	5	6	7		10	11	12	13	14				SALEABLE		NOT AVAILABLE	NOT AVAILABLE
KEY B, LIGHT GRAY, W/O CPA	34985-4133	B-LG	GC	PLR		M	R					5	6			10		13						SALEABLE		NOT AVAILABLE	NOT AVAILABLE
KEY B, LIGHT GRAY, W/O CPA	34985-4134	B-LG	GC	PLR		M	R							7			11			14				SALEABLE		NOT AVAILABLE	NOT AVAILABLE
KEY B, LIGHT GRAY, W/O CPA	34985-4135	B-LG	GC	PLR		M	R													14				SALEABLE		NOT AVAILABLE	NOT AVAILABLE
KEY B, LIGHT GRAY, W/O CPA	34985-4136	B-LG	GC	PLR		M	R							7		10	11	12	13	14				SALEABLE		NOT AVAILABLE	NOT AVAILABLE
KEY B, LIGHT GRAY, W/O CPA	34985-4137	B-LG	GC	PLR		M	R				4									14				SALEABLE		NOT AVAILABLE	NOT AVAILABLE
KEY B, LIGHT GRAY, W/O CPA	34985-4138	B-LG	GC	PLR		M	R				4			7			11			14				SALEABLE		NOT AVAILABLE	NOT AVAILABLE
KEY B, LIGHT GRAY, W/O CPA	34985-4139	B-LG	GC	PLR		M	R				4			7		10	11	12	13	14				SALEABLE		NOT AVAILABLE	NOT AVAILABLE
KEY B, LIGHT GRAY, W/O CPA	34985-4140	B-LG	GC	PLR		M	R								10	11	12	13					SALEABLE		NOT AVAILABLE	NOT AVAILABLE	
KEY B, LIGHT GRAY, W/O CPA	34985-4141	B-LG	GC	PLR		M	R															15		SALEABLE		NOT AVAILABLE	NOT AVAILABLE
KEY A, BLACK, W/CPA	34985-4142	A-BLK	GC	PLR	CPA	M	R		2		4			7		10		12				15		SALEABLE		NOT AVAILABLE	NOT AVAILABLE
KEY A, BLACK, W/O CPA	34985-4143	A-BLK	GC	PLR		M	R				4	5		7				12	13					SALEABLE		NOT AVAILABLE	NOT AVAILABLE
KEY A, BLACK, W/O CPA	34985-4144	A-BLK	GC	PLR		M	R				3		5	6		10			13	14				SALEABLE		NOT AVAILABLE	NOT AVAILABLE
KEY A, BLACK, W/O CPA	34985-4145	A-BLK	GC	PLR		M	R				3				10			13	14					SALEABLE		NOT AVAILABLE	NOT AVAILABLE
KEY A, BLACK, W/O CPA	34985-4146	A-BLK	GC	PLR		M	R		2			5	6							14	15			SALEABLE		NOT AVAILABLE	NOT AVAILABLE
KEY A, BLACK, W/O CPA	34985-4147	A-BLK	GC	PLR		M	R				3	4	5	6	7		10	11						SALEABLE		NOT AVAILABLE	NOT AVAILABLE
KEY A, BLACK, W/O CPA	34985-4148	A-BLK	GC	PLR		M	R		2			6			10	11	12							SALEABLE		NOT AVAILABLE	NOT AVAILABLE
KEY A, BLACK, W/O CPA	34985-4149	A-BLK	GC	PLR		M	R				4		6	7		10								SALEABLE		NOT AVAILABLE	NOT AVAILABLE
KEY A, BLACK, W/O CPA	34985-4150	A-BLK	GC	PLR		M	R				3	4		7			11	12			14	15		SALEABLE		NOT AVAILABLE	NOT AVAILABLE
KEY A, BLACK, W/O CPA	34985-4151	A-BLK	GC	PLR		M	R		2		4	5	6			10	11			14	15			SALEABLE		NOT AVAILABLE	NOT AVAILABLE
KEY A, BLACK, W/O CPA	34985-4152	A-BLK	GC	PLR		M	R		2		4	5	6							14	15			SALEABLE		NOT AVAILABLE	NOT AVAILABLE
KEY A, BLACK, W/O CPA	34985-4153	A-BLK	GC	PLR		M	R		2		4									14	15			SALEABLE		NOT AVAILABLE	NOT AVAILABLE
KEY A, BLACK, W/O CPA	34985-4154	A-BLK	GC	PLR		M	R				4	5	6			10	11			14	15			SALEABLE		NOT AVAILABLE	NOT AVAILABLE





MX150 16 WAY HYBRID RECEPTACLE SEALED ASSEMBLY MAT SEAL (WITH CLIPSLOT, 2.8mm CAVITIES OPEN)  
BOM AND PIN OUT SHEET

Table with columns: ASSEMBLY DESCRIPTION, ASSEMBLY PART NUMBER, COMPONENT (HOUSING KEY/COLOR, GROMMET CAP, PLR, CPA, MAT SEAL, RING SEAL), BLOCKED TERMINALS (1-16), STATUS, COMMENTS, and OPTIONAL ATTACHMENTS SOLD SEPARATELY (BACKSHELL WITH RIBS, BACKSHELL WITHOUT RIBS).

**MX150 16 WAY HYBRID RECEPTACLE SEALED ASSEMBLY MAT SEAL (WITH CLIPSLOT, 2.8mm CAVITIES OPEN)**  
**BOM AND PIN OUT SHEET**

ASSEMBLY DESCRIPTION	ASSEMBLY PART NUMBER	COMPONENT						BLOCKED TERMINALS																STATUS	COMMENTS	OPTIONAL ATTACHMENTS SOLD SEPERATELY			
		THE PRESENCE OF AN ABBREVIATION INDICATES THE PRESENCE OF THAT COMPONENT.						CAVITY WITH A NUMBER INDICATES BLOCKED TERMINAL POSITION CAVITY WITHOUT A NUMBER INDICATES OPEN TERMINAL POSITION																		BACKSHELL WITH RIBS	BACKSHELL WITHOUT RIBS		
		HOUSING KEY/COLOR	GROMMET CAP	PLR	CPA	MAT SEAL	RING SEAL	1	2	3	4	5	6	7	8	9	10	11	12	13	14	15	16						
KEY A, BLACK, W/ CLIPSLOT, W/O CPA	34985-2368	A-BLK-CLIP	GC	PLR		M	R			3		5											15	SALEABLE		349521611	NOT AVAILABLE		
KEY A, BLACK, W/ CLIPSLOT, W/O CPA	34985-2369	A-BLK-CLIP	GC	PLR		M	R					5	6	7												SALEABLE		349521611	NOT AVAILABLE
KEY A, BLACK, W/ CLIPSLOT, W/O CPA	34985-2370	A-BLK-CLIP	GC	PLR		M	R		2			5					10	11	12			14				SALEABLE		349521611	NOT AVAILABLE
KEY A, BLACK, W/ CLIPSLOT, W/O CPA	34985-2371	A-BLK-CLIP	GC	PLR		M	R					5		7				11	12							SALEABLE		349521611	NOT AVAILABLE
KEY A, BLACK, W/ CLIPSLOT, W/O CPA	34985-2372	A-BLK-CLIP	GC	PLR		M	R		2					7			10	11	12	13	14					SALEABLE		349521611	NOT AVAILABLE
KEY B, LIGHT GRAY, W/ CLIPSLOT, W/CPA	34985-2373	B-LG-CLIP	GC	PLR	CPA	M	R			3						10	11	12	13	14						SALEABLE		349521611	NOT AVAILABLE
KEY C, DARK GRAY, W/ CLIPSLOT, W/CPA	34985-2374	C-DG-CLIP	GC	PLR	CPA	M	R				3	4			6	7	10	11	12	13	14	15				SALEABLE		349521611	NOT AVAILABLE
KEY A, BLACK, W/ CLIPSLOT, W/O CPA	34985-2375	A-BLK-CLIP	GC	PLR		M	R			3	4	5	6			10		12	13	14	15					SALEABLE		349521611	NOT AVAILABLE
KEY A, BLACK, W/ CLIPSLOT, W/O CPA	34985-2376	A-BLK-CLIP	GC	PLR		M	R				3	4	5	6		10	11	12	13		15					SALEABLE		349521611	NOT AVAILABLE
KEY A, BLACK, W/ CLIPSLOT, W/O CPA	34985-2377	A-BLK-CLIP	GC	PLR		M	R		2							10										SALEABLE		349521611	NOT AVAILABLE
KEY A, BLACK, W/ CLIPSLOT, W/O CPA	34985-2378	A-BLK-CLIP	GC	PLR		M	R				3				6											SALEABLE		349521611	NOT AVAILABLE
KEY A, BLACK, W/ CLIPSLOT, W/O CPA	34985-2379	A-BLK-CLIP	GC	PLR		M	R		2	3	4	5	6	7												SALEABLE		349521611	NOT AVAILABLE
KEY A, BLACK, W/ CLIPSLOT, W/O CPA	34985-2380	A-BLK-CLIP	GC	PLR		M	R		2	3	4	5	6	7		10	11	12	13							SALEABLE		349521611	NOT AVAILABLE
KEY A, BLACK, W/ CLIPSLOT, W/O CPA	34985-2381	A-BLK-CLIP	GC	PLR		M	R					5		7				12	13							SALEABLE		349521611	NOT AVAILABLE
KEY A, BLACK, W/ CLIPSLOT, W/O CPA	34985-2382	A-BLK-CLIP	GC	PLR		M	R					5				10				14	15					SALEABLE		349521611	NOT AVAILABLE
KEY A, BLACK, W/ CLIPSLOT, W/O CPA	34985-2383	A-BLK-CLIP	GC	PLR		M	R					5				10	11	12	13							SALEABLE		349521611	NOT AVAILABLE
KEY A, BLACK, W/ CLIPSLOT, W/O CPA	34985-2384	A-BLK-CLIP	GC	PLR		M	R		2	3		5				10	11	12	13							SALEABLE		349521611	NOT AVAILABLE
KEY A, BLACK, W/ CLIPSLOT, W/O CPA	34985-2385	A-BLK-CLIP	GC	PLR		M	R		2			5	6	7			11	12				15				SALEABLE		349521611	NOT AVAILABLE
KEY A, BLACK, W/ CLIPSLOT, W/O CPA	34985-2386	A-BLK-CLIP	GC	PLR		M	R			3		5	6			10	11		13			15				SALEABLE		349521611	NOT AVAILABLE
KEY A, BLACK, W/ CLIPSLOT, W/O CPA	34985-2387	A-BLK-CLIP	GC	PLR		M	R				3		5													SALEABLE		349521611	NOT AVAILABLE
KEY A, BLACK, W/ CLIPSLOT, W/O CPA	34985-2388	A-BLK-CLIP	GC	PLR		M	R			3		5	6	7		10	11		13			15				SALEABLE		349521611	NOT AVAILABLE
KEY A, BLACK, W/ CLIPSLOT, W/O CPA	34985-2389	A-BLK-CLIP	GC	PLR		M	R				3			6	7											SALEABLE		349521611	NOT AVAILABLE
KEY A, BLACK, W/ CLIPSLOT, W/O CPA	34985-2390	A-BLK-CLIP	GC	PLR		M	R				3			6				12		14						SALEABLE		349521611	NOT AVAILABLE
KEY A, BLACK, W/ CLIPSLOT, W/O CPA	34985-2391	A-BLK-CLIP	GC	PLR		M	R				3		5		7				13	14	15					SALEABLE		349521611	NOT AVAILABLE
KEY A, BLACK, W/ CLIPSLOT, W/O CPA	34985-2392	A-BLK-CLIP	GC	PLR		M	R					5		7					13	14	15					SALEABLE		349521611	NOT AVAILABLE
KEY A, BLACK, W/ CLIPSLOT, W/O CPA	34985-2393	A-BLK-CLIP	GC	PLR		M	R			3	4	5	6	7		10	11	12	13	14	15					SALEABLE		349521611	NOT AVAILABLE
KEY B, LIGHT GRAY, W/ CLIPSLOT, W/O CPA	34985-2394	B-LG-CLIP	GC	PLR		M	R					3				10	11									SALEABLE		349521611	NOT AVAILABLE
KEY B, LIGHT GRAY, W/ CLIPSLOT, W/O CPA	34985-2395	B-LG-CLIP	GC	PLR		M	R			3	4	5				10	11		13							SALEABLE		349521611	NOT AVAILABLE
KEY A, BLACK, W/ CLIPSLOT, W/O CPA	34985-2396	A-BLK-CLIP	GC	PLR		M	R												12							SALEABLE		349521611	NOT AVAILABLE
KEY A, BLACK, W/ CLIPSLOT, W/O CPA	34985-2397	A-BLK-CLIP	GC	PLR		M	R																15			SALEABLE		349521611	NOT AVAILABLE
KEY A, BLACK, W/ CLIPSLOT, W/O CPA	34985-2398	A-BLK-CLIP	GC	PLR		M	R							7		10	11			14	15					SALEABLE		349521611	NOT AVAILABLE
KEY A, BLACK, W/ CLIPSLOT, W/O CPA	34985-2399	A-BLK-CLIP	GC	PLR		M	R					5					11	12				15				SALEABLE		349521611	NOT AVAILABLE
KEY A, BLACK, W/ CLIPSLOT, W/O CPA	34985-2400	A-BLK-CLIP	GC	PLR		M	R				3	4										15				SALEABLE		349521611	NOT AVAILABLE
KEY B, LIGHT GRAY, W/ CLIPSLOT, W/O CPA	34985-2401	B-LG-CLIP	GC	PLR		M	R									10		12	13	14	15					SALEABLE		349521611	NOT AVAILABLE
KEY B, LIGHT GRAY, W/ CLIPSLOT, W/O CPA	34985-2402	B-LG-CLIP	GC	PLR		M	R							7					13							SALEABLE		349521611	NOT AVAILABLE
KEY A, BLACK, W/ CLIPSLOT, W/O CPA	34985-2403	A-BLK-CLIP	GC	PLR		M	R						5	6	7			11								SALEABLE		349521611	NOT AVAILABLE
KEY A, BLACK, W/ CLIPSLOT, W/O CPA	34985-2404	A-BLK-CLIP	GC	PLR		M	R			3	4	5										15				SALEABLE		349521611	NOT AVAILABLE
KEY A, BLACK, W/ CLIPSLOT, W/O CPA	34985-2405	A-BLK-CLIP	GC	PLR		M	R						5	6			10		12	13						SALEABLE		349521611	NOT AVAILABLE
KEY A, BLACK, W/ CLIPSLOT, W/O CPA	34985-2406	A-BLK-CLIP	GC	PLR		M	R						5	6		10			12	13	14	15				SALEABLE		349521611	NOT AVAILABLE
KEY A, BLACK, W/ CLIPSLOT, W/O CPA	34985-2407	A-BLK-CLIP	GC	PLR		M	R						5	6		10										SALEABLE		349521611	NOT AVAILABLE
KEY A, BLACK, W/ CLIPSLOT, W/O CPA	34985-2408	A-BLK-CLIP	GC	PLR		M	R						5	6	7			11	12	13						SALEABLE		349521611	NOT AVAILABLE
KEY A, BLACK, W/ CLIPSLOT, W/O CPA	34985-2409	A-BLK-CLIP	GC	PLR		M	R								7			11		12	13	14	15			SALEABLE		349521611	NOT AVAILABLE
KEY A, BLACK, W/ CLIPSLOT, W/O CPA	34985-2410	A-BLK-CLIP	GC	PLR		M	R								7				12			14				SALEABLE		349521611	NOT AVAILABLE
KEY A, BLACK, W/ CLIPSLOT, W/O CPA	34985-2411	A-BLK-CLIP	GC	PLR		M	R			3		5			7			11		12	13	14	15			SALEABLE		349521611	NOT AVAILABLE
KEY A, BLACK, W/ CLIPSLOT, W/O CPA	34985-2412	A-BLK-CLIP	GC	PLR		M	R									10	11	12								SALEABLE		349521611	NOT AVAILABLE
KEY A, BLACK, W/ CLIPSLOT, W/O CPA	34985-2413	A-BLK-CLIP	GC	PLR		M	R			3												14				SALEABLE		349521611	NOT AVAILABLE
KEY B, LIGHT GRAY, W/ CLIPSLOT, W/O CPA	34985-2414	B-LG-CLIP	GC	PLR		M	R			3	4	5	6	7		10	11	12	13	14	15					SALEABLE		349521611	NOT AVAILABLE
KEY B, LIGHT GRAY, W/ CLIPSLOT, W/O CPA	34985-2415	B-LG-CLIP	GC	PLR		M	R				4	5				10	11									SALEABLE		349521611	NOT AVAILABLE
KEY A, BLACK, W/ CLIPSLOT, W/O CPA	34985-2416	A-BLK-CLIP	GC	PLR		M	R									10	11		13							SALEABLE		349521611	NOT AVAILABLE
KEY A, BLACK, W/ CLIPSLOT, W/O CPA	34985-2417	A-BLK-CLIP	GC	PLR		M	R			3			6	7		10	11			14	15					SALEABLE		349521611	NOT AVAILABLE