

# PC 150/125 XHG



Sample image

**Order symbol:** PC 150/125 XHG

**Product nbr:** 6013335

UL Code: 6413335

UL Name: UL PC 150/125 XHG

**Description:** Enclosure. PC

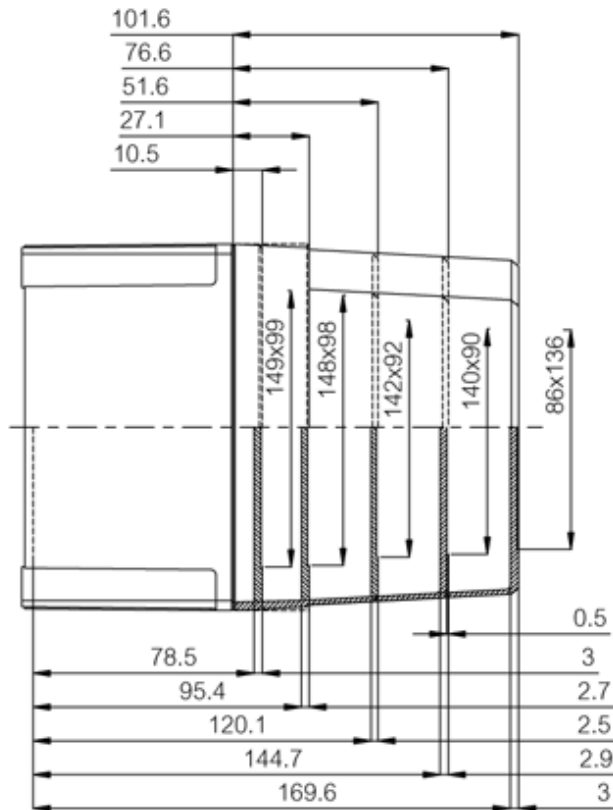
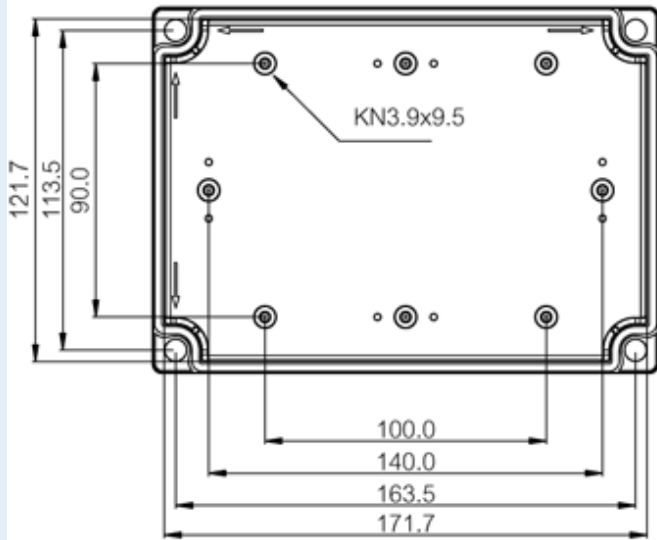
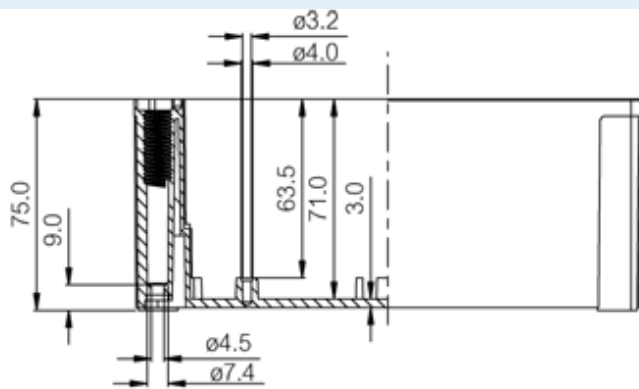
**Remarks:** Opaque cover

**Including:** Base with PUR gasket. screws for mounting plate/DIN-rail and cover with polyamide cover screws.

**EAN:** 6418074061232

**El. number:**

- Finland: 3435608
- Denmark: 8212027899
- Sweden: 6013335



**Dimensions:**                      **Height**                      **Width**                      **Depth**

mm:	180	130	125
inch:	7.09	5.12	4.92

**Materials:**

Material:	Polycarbonate
Base colour:	RAL 7035 -light grey
Cover colour:	RAL 7035 -light grey
Gasket material:	Polyurethane

**Temperatures:**

Temperature °C (short term)::	-40 ... 120
Temperature °C (continuous):	-40 ... 80
Temperature °F (short term):	-40 ... 250
Temperature °F (continuous):	-40 ... 175

**Accessories:**

MIV 10	DIN-35 Mounting rail. for enclosures: (100 x 35 x 1)
FP A 150/180	Front panel (Aluminum). for enclosures: (170 x 112 x 1)
HFP 180	Front panel hinge series
MIV 150	Back Panel (Galvanized steel). for enclosures: (148 x 98 x 1)
MIN 15	DIN-15 Mounting rail. for enclosures: (150 x 15 x 1)
MIN 10	DIN-15 Mounting rail. for enclosures: (100 x 15 x 1)
MIV 15	DIN-35 Mounting rail. for enclosures: (150 x 35 x 1)
FP 22046	Mounting foot kit (4 pcs)

**Rating:**

Ingress protection (EN 60529):	IP66; IP67;
Impact Resistance (EN 62262):	IK08;
Electrical insulation:	Totally insulated
Halogen free (DIN/VDE 0472, Part 815):	1
UV resistance:	UL 508

Flammability Rating: UL 746C 5"

Glow Wire Test (IEC 695-2-1) °C: 960 °C

NEMA Class

**Certificates:**

Certificate FI 40847