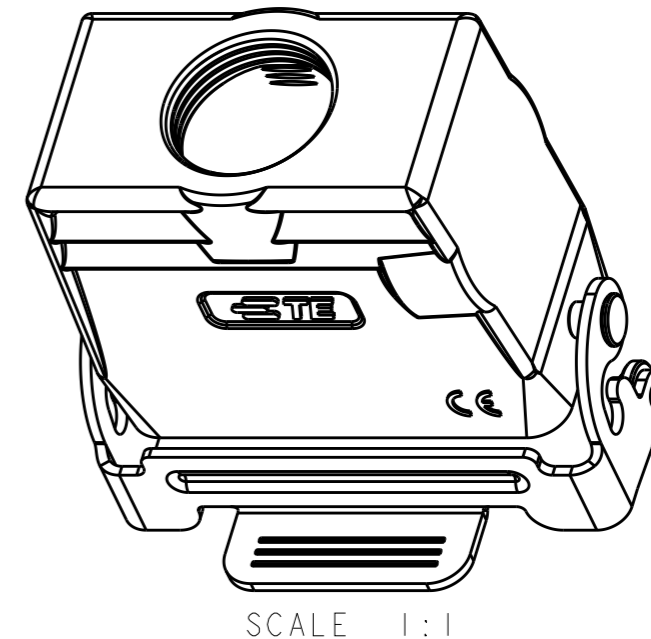
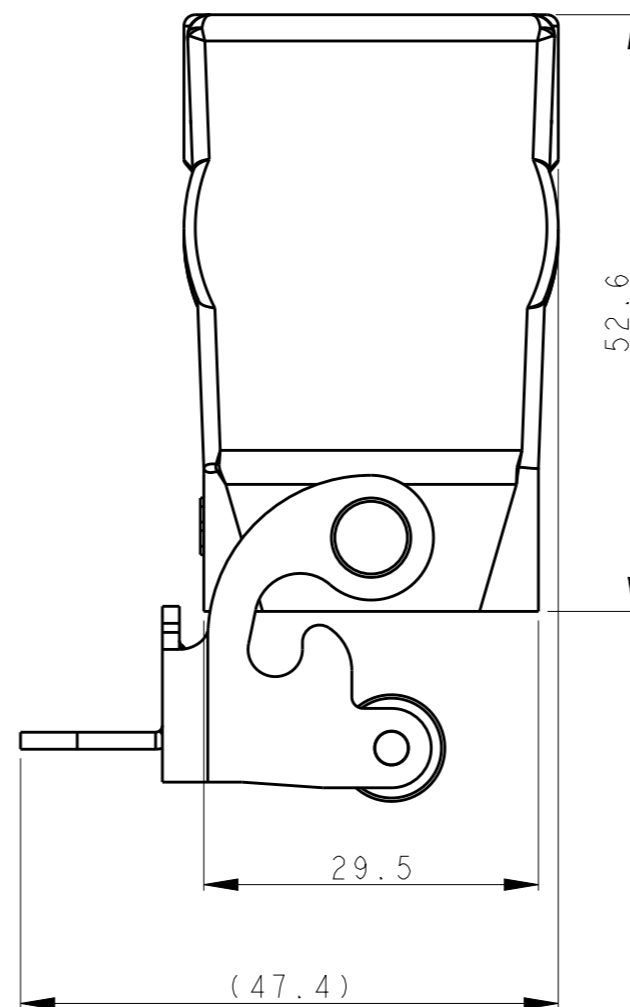
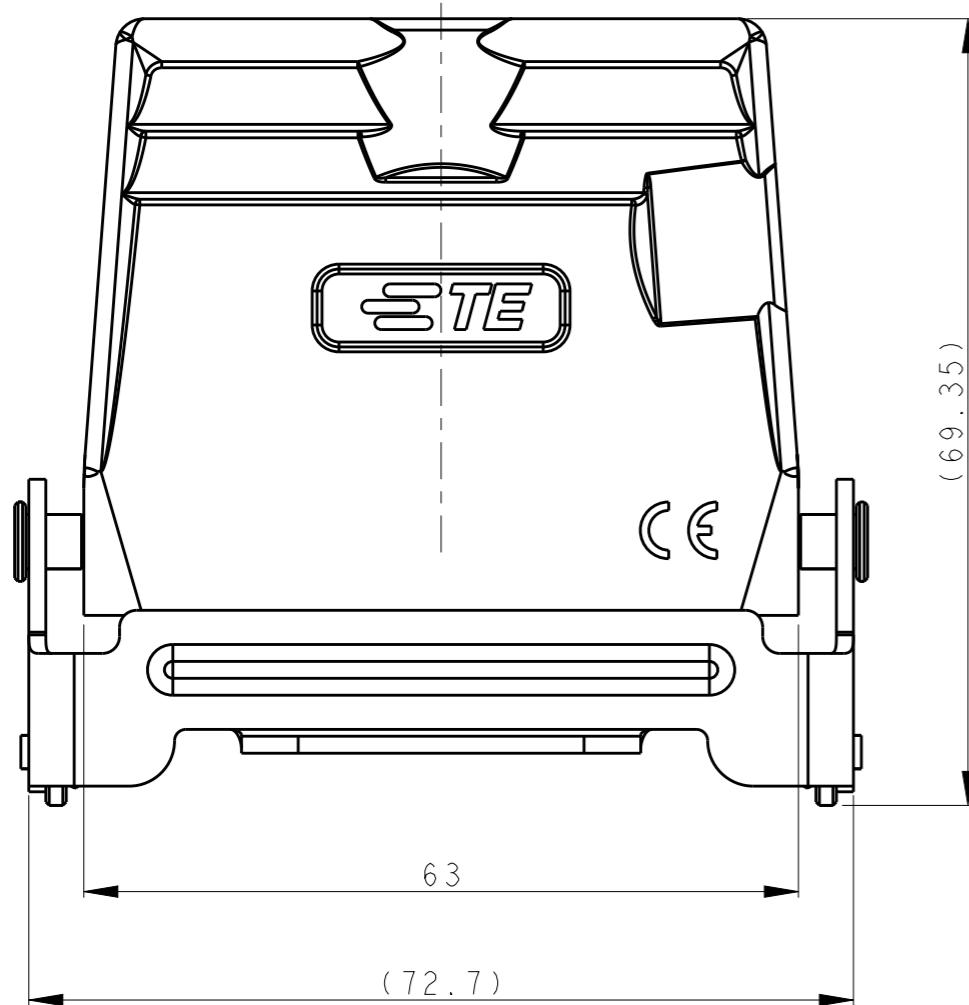


THIS DRAWING IS UNPUBLISHED. RELEASED FOR PUBLICATION 20
 © COPYRIGHT 20 BY - ALL RIGHTS RESERVED.

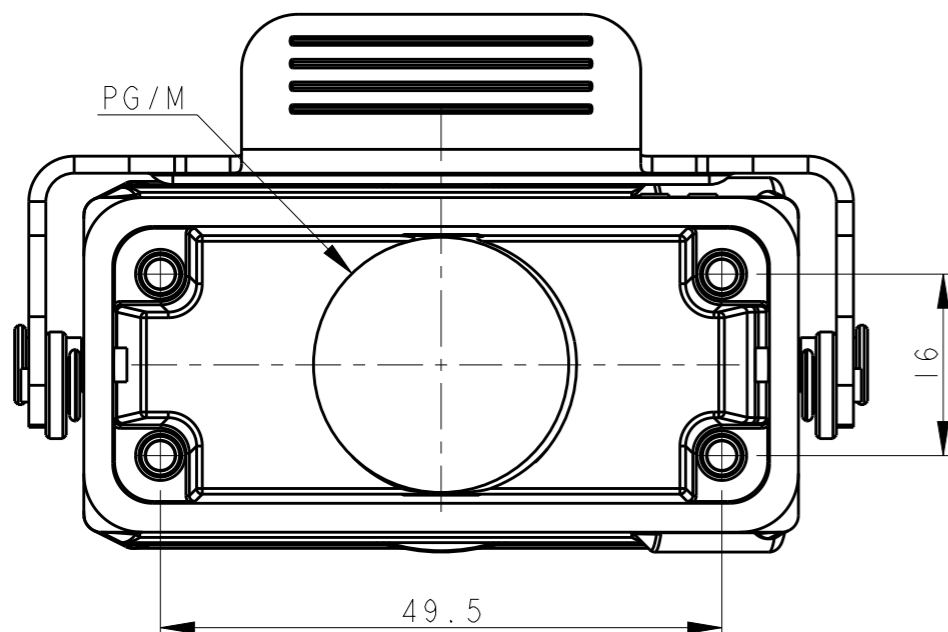
REVISIONS

P	LTR	DESCRIPTION	DATE	DWN	APVD
	A	INITIAL RELEASE	29APR2015	DL	CW
	B	ECR-20-008424	14DEC2020	BS	CW




NOTES:
 1. TECHNICAL CHARACTERISTICS:
 BODY MATERIAL: DIE CAST ALUMINIUM ALLOY
 SURFACE TREATMENT: POWDER-COATED, GRAY
 DEGREE OF PROTECTION: IP65 (MATED)

注释:
 1. 技术参数:
 主体材料: 铝合金
 表面处理: 粉末喷涂, 灰色
 防护等级: IP65(配合)



T1739101116-000	H10A-TBFS-PG16	PG16
T1739101120-000	H10A-TBFS-M20	M20
ASSEMBLY PART NUMBER	ASSEMBLY PART DESCRIPTION	PG/M

THIS DRAWING IS A CONTROLLED DOCUMENT.		DWN 29APR2015 DAVID LI	 TE Connectivity		
DIMENSIONS: mm		CHK 29APR2015 CHRIS WANG			
TOLERANCES UNLESS OTHERWISE SPECIFIED:		APVD 29APR2015 XU XIANG	NAME H10A-TBFS-PG/M		
0 PLC ±- 1 PLC ±- 2 PLC ±- 3 PLC ±- 4 PLC ±- ANGLES ±-		PRODUCT SPEC 108-137010	SIZE CAGE CODE DRAWING NO RESTRICTED TO		
MATERIAL		APPLICATION SPEC 114-137010	A3	-	©-T17391011XX000
FINISH		WEIGHT	SCALE 3:2 SHEET 1 OF 1 REV B		
		CUSTOMER DRAWING			