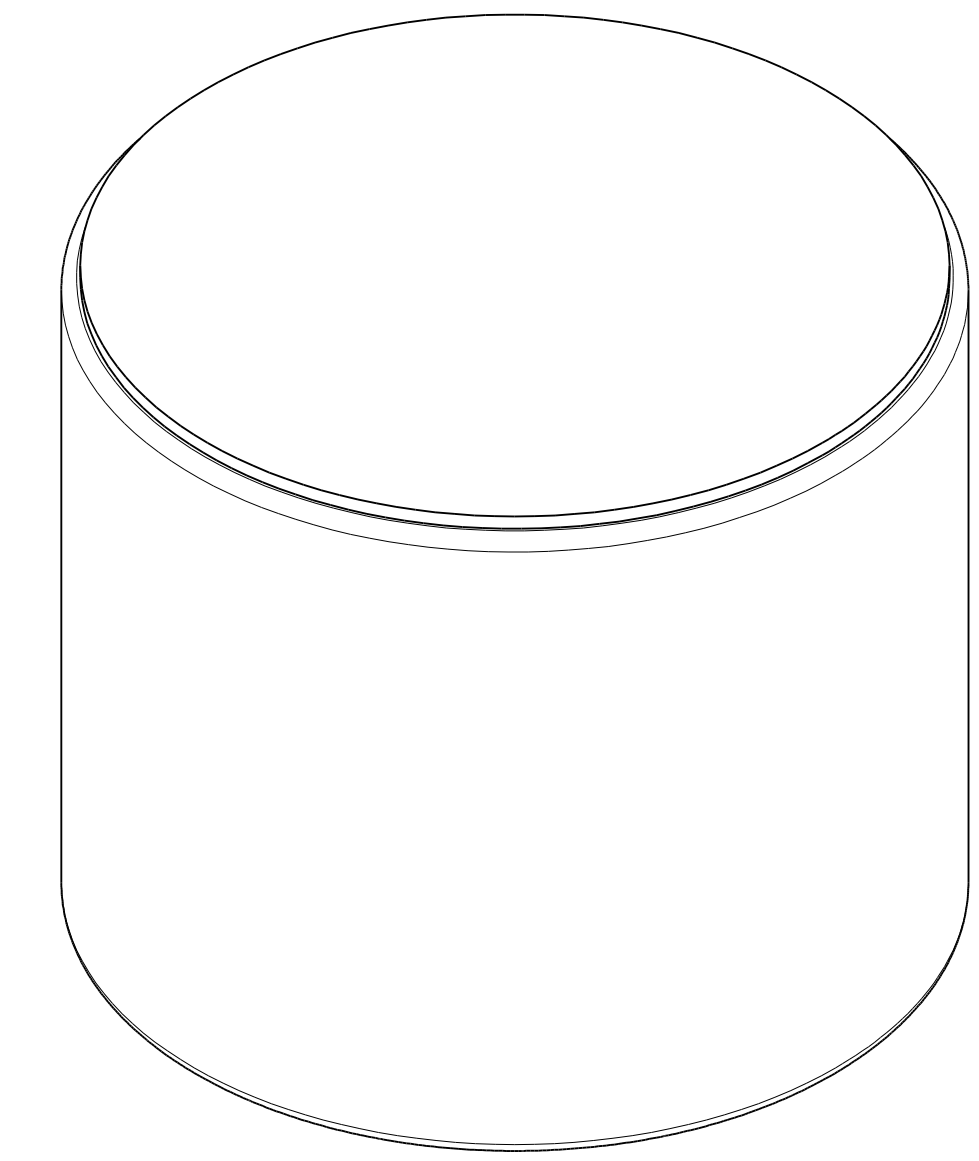
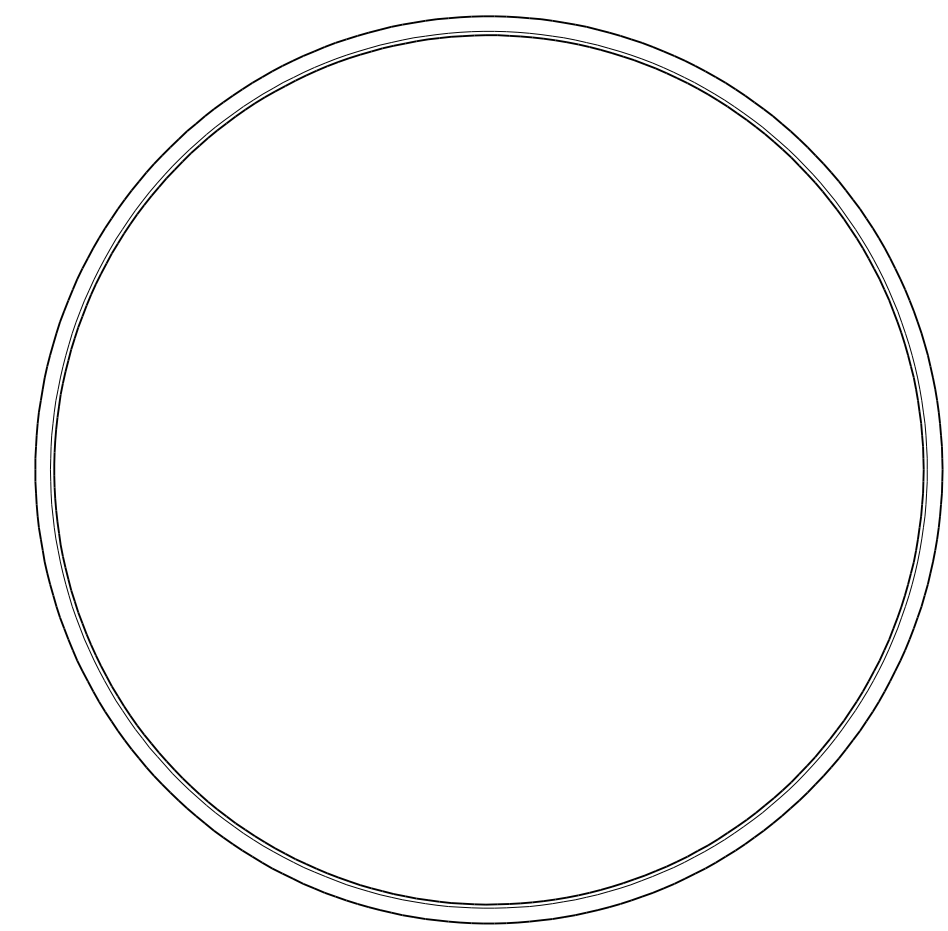
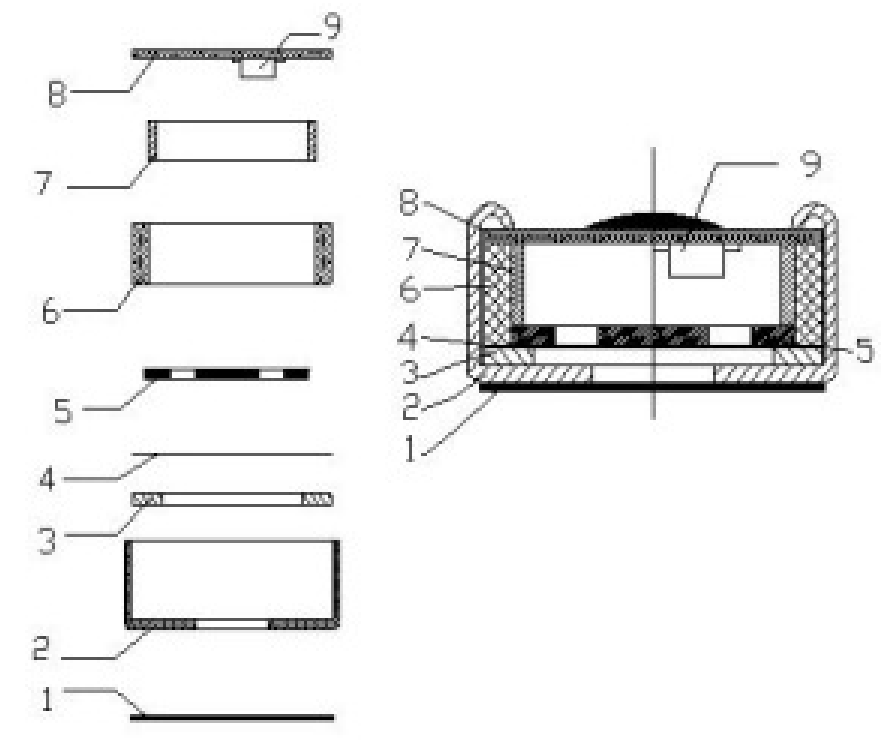
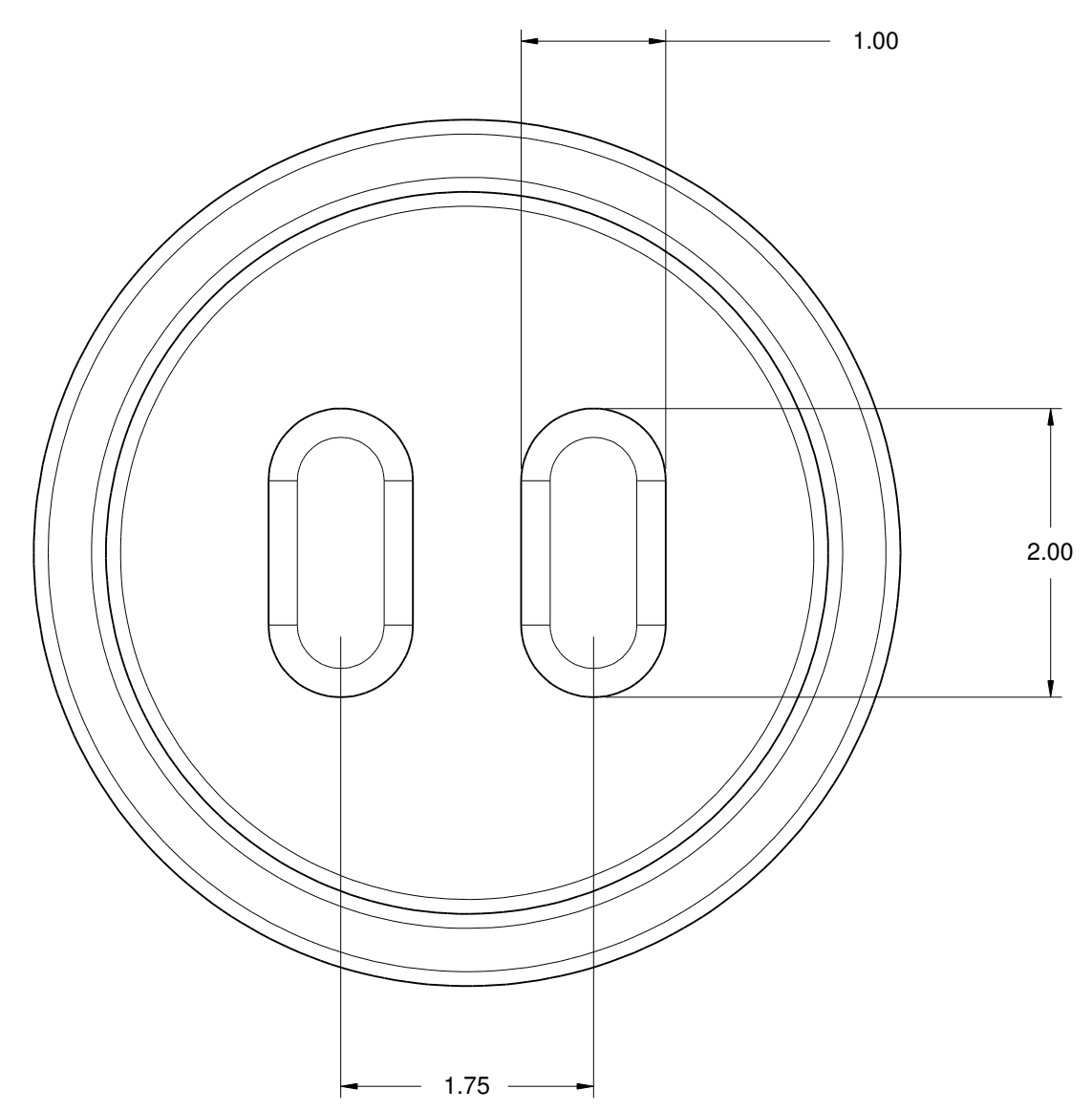
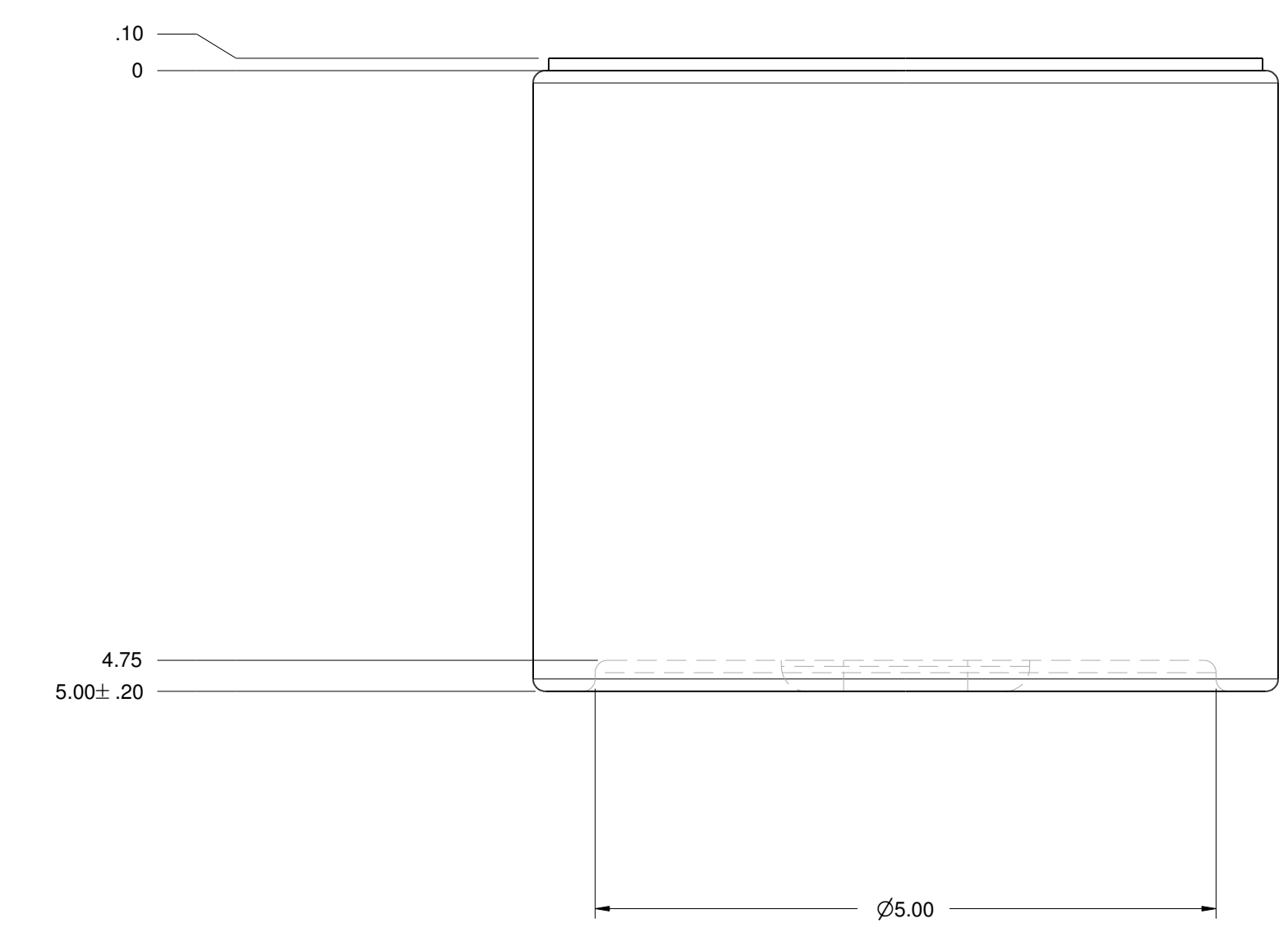
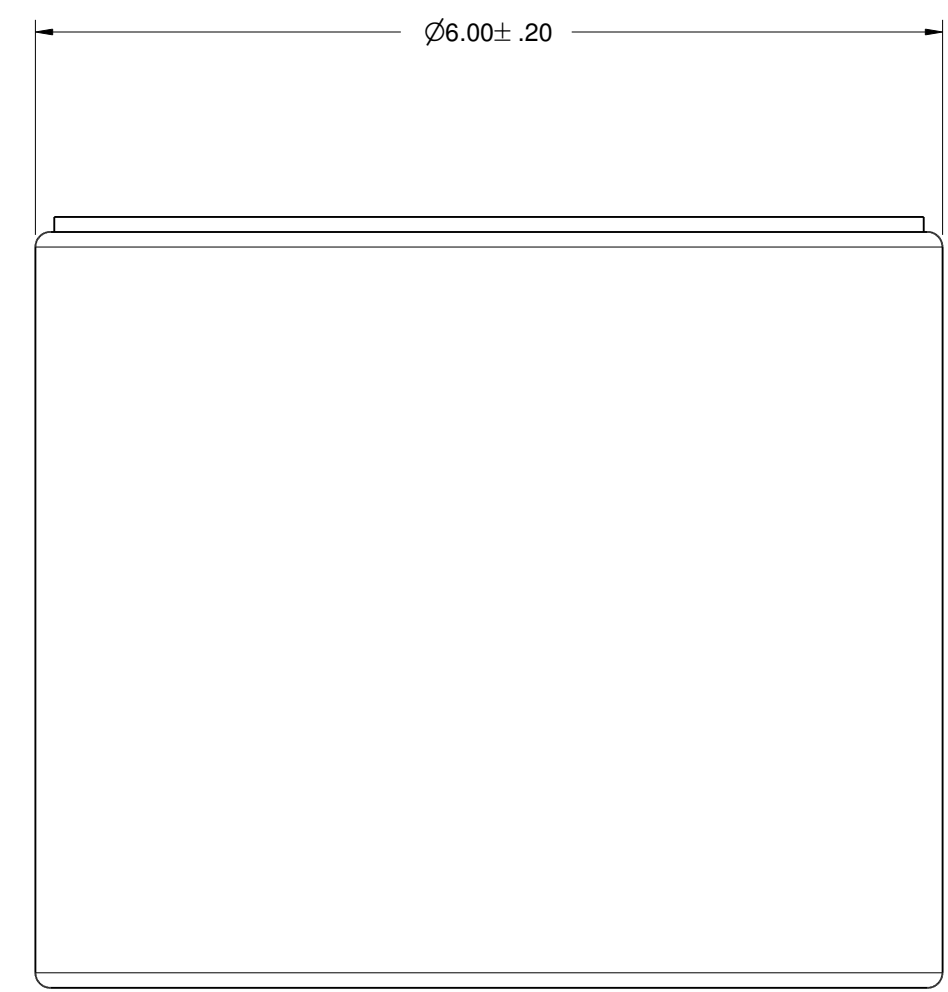


REVISIONS				
ZONE	REV	DESCRIPTION	DATE	APPROVED



No.	Part Name	Material	Quantity	Remark
1	Dustproof gauze		1	
2	Case	Al-Mg alloy	1	
3	Diaphragm		1	
4	Spacer		1	
5	Electret plate		1	
6	Chamber		1	
7	Copper ring		1	
8	PCB		1	
9	FET		1	



ALL DIMENSIONS +/- .5MM UNLESS NOTED

SIZE	FSCM NO.	DWG NO.	REV
D		EM-6050N	
SCALE	1:1	SHEET	1 OF 1