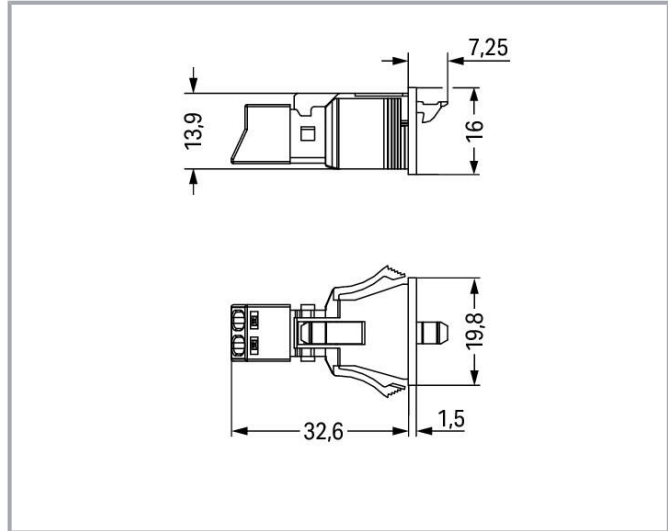


Data sheet | Item number: 890-722

Snap-in socket; 2-pole; Cod. A; 1,50 mm²; white

www.wago.com/890-722



Color: 

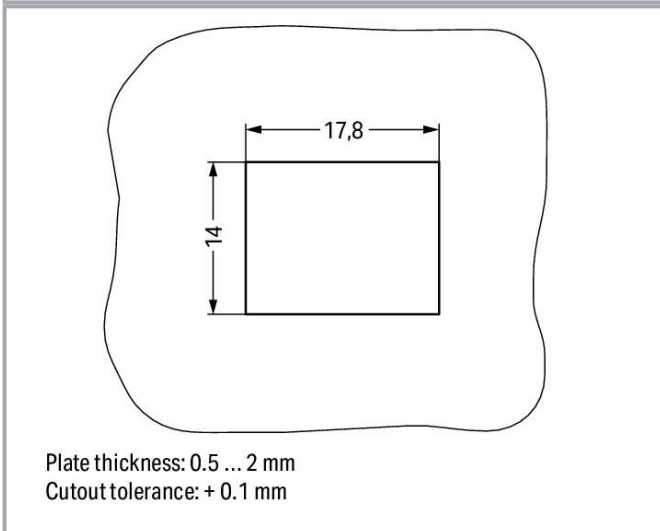


Plate thickness: 0.5 ... 2 mm
Cutout tolerance: + 0.1 mm

Subject to changes. Please also observe the further product documentation!

WAGO GmbH & Co. KG
Hansastr. 27
32423 Minden
Phone: +49571 887-0 | Fax: +49571 887-169
Email: info.de@wago.com | Web: www.wago.com

Do you have any questions about our products?
We are always happy to take your call at +49 (571) 887-44222.



Item description

Female connector/socket WINSTA® MINI with protection against mismatching

For power and signal transmission: The WINSTA® MINI female connector/socket 2-pole. WAGO pluggable installation connectors can be used when requirements repeat or are planned on a defined grid, for example for installing grid lighting or flush-mount lighting. For greater protection in electrical installations, the pluggable installation connector is provided with mechanical protection against mismatching. The pluggable installation connector is protected in accordance with protection type IP40. Users' fingers and tools will never come into contact with live elements. The WINSTA® MINI pluggable installation connector with A coding in white or black is usually used for general mains applications in power distribution. WINSTA® MINI satisfies the demand for miniaturisation. Our smallest pluggable connection system is especially suitable for lights, for example, since due to LED technology, these offer much less space for the connection technology.

WINSTA® MINI solutions for your electrical installation – protected against mismatching and maintenance-free

WINSTA® is the pluggable connection system that is ideally tailored to the strict requirements of electrical installation. It offers fast, secure and, above all, error-free installation of components and cables. Choose quality and durability – the WINSTA® MINI pluggable installation connector with locking lever from WAGO makes the installation of electrical components significantly easier.

- effective protection against mismatching
- consistent IP40 protection
- with A coding for a large number of applications
- custom-engineered solutions
- convenient installation and commissioning

Data

Electrical data

Ratings per IEC/EN

| | |
|-------------------------------|---|
| Ratings per | IEC/EN 60664-1 |
| Nominal voltage (III/3) | 250 V |
| Rated impulse voltage (III/3) | 4 kV |
| Rated current | 16 A |
| Legend (ratings) | (III / 3) ≙ Overvoltage category III / Pollution degree 3 |

Ratings per UL 1977

Note for the US market

Some versions may also be used for current interruption in

Subject to changes. Please also observe the further product documentation!

WAGO GmbH & Co. KG
 Hansastr. 27
 32423 Minden
 Phone: +49571 887-0 | Fax: +49571 887-169
 Email: info.de@wago.com | Web: www.wago.com

Do you have any questions about our products?
 We are always happy to take your call at +49 (571) 887-44222.



accordance with the UL certificate in select applications with currents below 5 A and voltages up to 600 V. For further information, please contact your local sales office.

| | |
|-------------------------|-------|
| Rated voltage (UL 1977) | 600 V |
| Rated current UL 1977 | 14 A |

General

| | |
|----------------------------|--|
| Note on contact resistance | approx. 1 mΩ of contact resistance approx. 0.25 mΩ contact transition plug/socket |
|----------------------------|--|

Connection data

| | |
|----------------------------|---|
| Connection points | 2 |
| Total number of potentials | 2 |

Connection 1

| | |
|--|---|
| Connection technology | Push-in CAGE CLAMP® |
| Actuation type | Operating tool Push-in |
| Nominal cross-section | 1.5 mm ² / 16 AWG |
| Solid conductor | 0.25 ... 1.5 mm ² / 22 ... 16 AWG |
| Solid conductor; push-in termination | 0.75 ... 1.5 mm ² / 20 ... 16 AWG |
| Stranded conductor | 0.25 ... 1 mm ² / 22 ... 18 AWG |
| Fine-stranded conductor | 0.25 ... 1.5 mm ² / 22 ... 16 AWG |
| Fine-stranded conductor; with insulated ferrule | 0.25 ... 0.75 mm ² / 22 ... 20 AWG |
| Fine-stranded conductor; with uninsulated ferrule | 0.25 ... 0.75 mm ² / 22 ... 20 AWG |
| Fine-stranded conductor; with ferrule; push-in termination | 0.75 mm ² / 20 AWG |
| Strip length | 9 mm / 0.35 inches |
| Pole number | 2 |
| Conductor entry direction to mating direction | 0° |

Physical data

| | |
|-------------|-------------------------|
| Pin spacing | 4.4 mm / 0.173 inches |
| Width | 19.8 mm / 0.78 inches |
| Height | 16 mm / 0.63 inches |
| Depth | 39.85 mm / 1.569 inches |

Subject to changes. Please also observe the further product documentation!

WAGO GmbH & Co. KG
Hansastr. 27
32423 Minden
Phone: +49571 887-0 | Fax: +49571 887-169
Email: info.de@wago.com | Web: www.wago.com

Do you have any questions about our products?
We are always happy to take your call at +49 (571) 887-44222.



Mechanical Data

| | |
|---|--|
| Application | General mains applications |
| Coding | A |
| Variable coding | No |
| Marking | L N |
| Potential marking | L N |
| Mating force of a plug-in connection | approx. 20 ... 70 N (depending on pole number) |
| Retention force of a plug-in connection | Locked: > 80 N |
| Unmating force of a plug-in connection | Unlocked: approx. 20 ... 70 N (depending on pole number) |
| Number of mating cycles | 200, without resistive load |
| Housing sheet thickness | 0.5 ... 2 mm / 0.02 ... 0.079 inches |
| Mounting type | Snap-in flange |
| Protection type | IP40 |

Plug-in connection

| | |
|------------------------------------|--|
| Contact type (pluggable connector) | Female connector/socket |
| Connector (connection type) | for conductor |
| Mismating protection | Yes |
| Note on mismating protection | All WINSTA [®] components are 100% protected against mismating when: a.) plugging different numbers of poles b.) plugging while rotated 180 c.) plugging while laterally staggered d.) plugging one pole |
| Locking lever | yes |
| Locking of plug-in connection | locking lever |
| Note on locking system | All connectors for mounted installations (snap-in versions for lighting fixtures or devices, all types of PCB and distribution connectors) are factory-equipped with locking levers to ensure plugs and sockets are securely locked. Additional locking levers are only required for flying leads (plug/socket). |

Material Data

| | |
|----------------------|--|
| Note (material data) | Information on material specifications can be found here |
| Color | white |
| Cover color | gray |

Subject to changes. Please also observe the further product documentation!

| | |
|-----------------------------|---|
| Material group | I |
| Insulation material | Polyamide (PA66) |
| Flammability class per UL94 | V0 |
| Clamping spring material | Chrome-nickel spring steel (CrNi) |
| Contact material | Copper or copper alloy; surface-treated |
| Contact plating | Tin |
| Fire load | 0.118 MJ |
| Weight | 4.6 g |

Environmental requirements

| | |
|--|--|
| Processing temperature | -5 ... +40 °C |
| Continuous operating temperature | -35 ... +85 °C |
| Note on continuous operating temperature | Insulating parts for temperatures ≤ 105 °C |

Commercial data


| | |
|-----------------------|---------------|
| Product Group | 20 (Winsta) |
| eCl@ss 10.0 | 27-44-06-02 |
| eCl@ss 9.0 | 27-44-06-02 |
| ETIM 8.0 | EC002566 |
| ETIM 7.0 | EC002566 |
| PU (SPU) | 50 (50) pcs |
| Packaging type | box |
| Country of origin | PL |
| GTIN | 4045454233495 |
| Customs tariff number | 85366990990 |

Environmental Product Compliance

| | |
|------------------------|-------------------------|
| RoHS Compliance Status | Compliant, No Exemption |
|------------------------|-------------------------|

Approvals / Certificates

General approvals

| Logo | Approval | Additional Approval Text | Certificate name |
|--|---------------------------------|--------------------------|------------------|
|  | CCA DEKRA Certification B.V. | EN 61535 | 71- 123231 |

Subject to changes. Please also observe the further product documentation!

WAGO GmbH & Co. KG
Hansastr. 27
32423 Minden
Phone: +49571 887-0 | Fax: +49571 887-169
Email: info.de@wago.com | Web: www.wago.com



Do you have any questions about our products?
We are always happy to take your call at +49 (571) 887-44222.

| | | |
|--|-----------|----------|
| CCA DEKRA Certification B.V. | IEC 61535 | NL-85020 |
|--|-----------|----------|






| | | |
|--|---------|--------|
| cURus Underwriters Laboratories Inc. | UL 1977 | E45171 |
|--|---------|--------|

Declarations of conformity and manufacturer's declarations

| Logo | Approval | Additional Approval Text | Certificate name |
|--|---|--------------------------|------------------|
|  | EU-Declaration of Conformity WAGO GmbH & Co. KG | - | - |
|  | UK-Declaration of Conformity WAGO GmbH & Co. KG | - | - |

Approvals for marine applications

| Logo | Approval | Additional Approval Text | Certificate name |
|---|---|--------------------------|--------------------------|
|  | ABS American Bureau of Shipping | Steel Vessel Rules | 19- HG1869855- PDA |
|  | DNV GL Det Norske Veritas, Germanischer Lloyd | - | TAE00001Z6 |
|  | LR Lloyds Register | EN 61535 | 08/20047 (E2) |

Counterpart



Item no.890-132
 Plug; with strain relief housing; 2-pole; 1,50 mm²; white

www.wago.com/890-132

Subject to changes. Please also observe the further product documentation!

WAGO GmbH & Co. KG
 Hansastr. 27
 32423 Minden
 Phone: +49571 887-0 | Fax: +49571 887-169
 Email: info.de@wago.com | Web: www.wago.com

Do you have any questions about our products?
 We are always happy to take your call at +49 (571) 887-44222.



Item no.890-232
Plug; 2-pole; 1,50 mm²; white

www.wago.com/890-232



Item no.891-8992/005-102
pre-assembled interconnecting cable; Eca; Socket/plug; 2-pole; Cod. A; H05VV-F 2 x 1.0 mm²; 1 m; 1,00 mm²; white

www.wago.com/891-8992/005-102



Item no.891-8992/205-102
pre-assembled connecting cable; Eca; Plug/open-ended; 2-pole; Cod. A; H05VV-F 2 x 1.0 mm²; 1 m; 1,00 mm²; white

www.wago.com/891-8992/205-102

Optional accessories

Cover

Cover



Item no.: 890-642
Lockout cap; 2-pole; for cutouts; Plastic; black

www.wago.com/890-642



Item no.: 890-692
Lockout cap; 2-pole; for cutouts; Plastic; white

www.wago.com/890-692

Tool

Operating tool



Item no.: 210-719
Operating tool; Blade: 2.5 x 0.4 mm; with a partially insulated shaft

www.wago.com/210-719



Item no.: 890-382
Operating tool; 2-way; green

www.wago.com/890-382

Downloads

Documentation

Bid Text

| | | | |
|------------------------|-------------|----------------|----------|
| 890-722 X81 - Datei | 2019 Feb 19 | xml 3.0 kB | Download |
| 890-722 doc - Datei | 2018 Nov 30 | doc 23.6 kB | Download |

Subject to changes. Please also observe the further product documentation!

CAD/CAE-Data

CAE data

| | | |
|---|---------------------|--------------------------|
| EPLAN Data Portal 890-722 | URL | Download |
| WSCAD Universe 890-722 | URL | Download |
| ZUKEN Portal 890-722 | URL | Download |

CAD data

| | | |
|--------------------------------------|---------------------|--------------------------|
| 2D/3D Models 890-722 | URL | Download |
|--------------------------------------|---------------------|--------------------------|

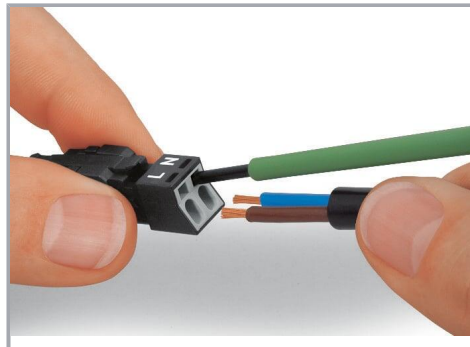
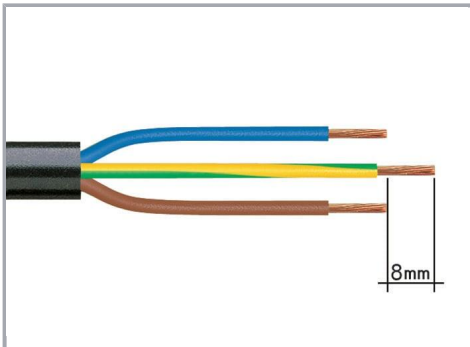
Environmental Product Compliance

Compliance Search

| | | |
|--|---------------------|--------------------------|
| Environmental Product Compliance 890-722 | URL | Download |
| Snap-in socket; 2-pole; Cod. A; 1,50 mm ² ; white | | |

Installation Notes

Conductor termination



1. Strip length, outer insulation = 30 mm (2-pole), 37 mm (3-pole), 45 mm (4- and 5-pole)

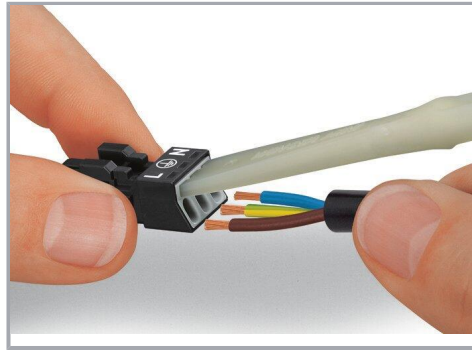
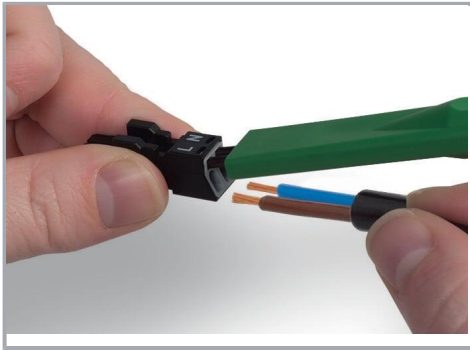
2. Strip length = 9 mm

3. Extended ground conductor = 8 mm

To terminate fine-stranded conductors, open the clamping unit via screwdriver – 2.5 mm blade width – and insert a stripped conductor until it hits the backstop.

Terminate solid conductors by simply pushing them in.

Subject to changes. Please also observe the further product documentation!



To terminate fine-stranded conductors, open clamping units via operating tool (890-382) and insert stripped conductors until they hit backstop.

Terminate solid conductors by simply pushing them in.

Product family

WINSTA® MINI

[Show all products from the family](#)

Subject to changes. Please also observe the further product documentation!