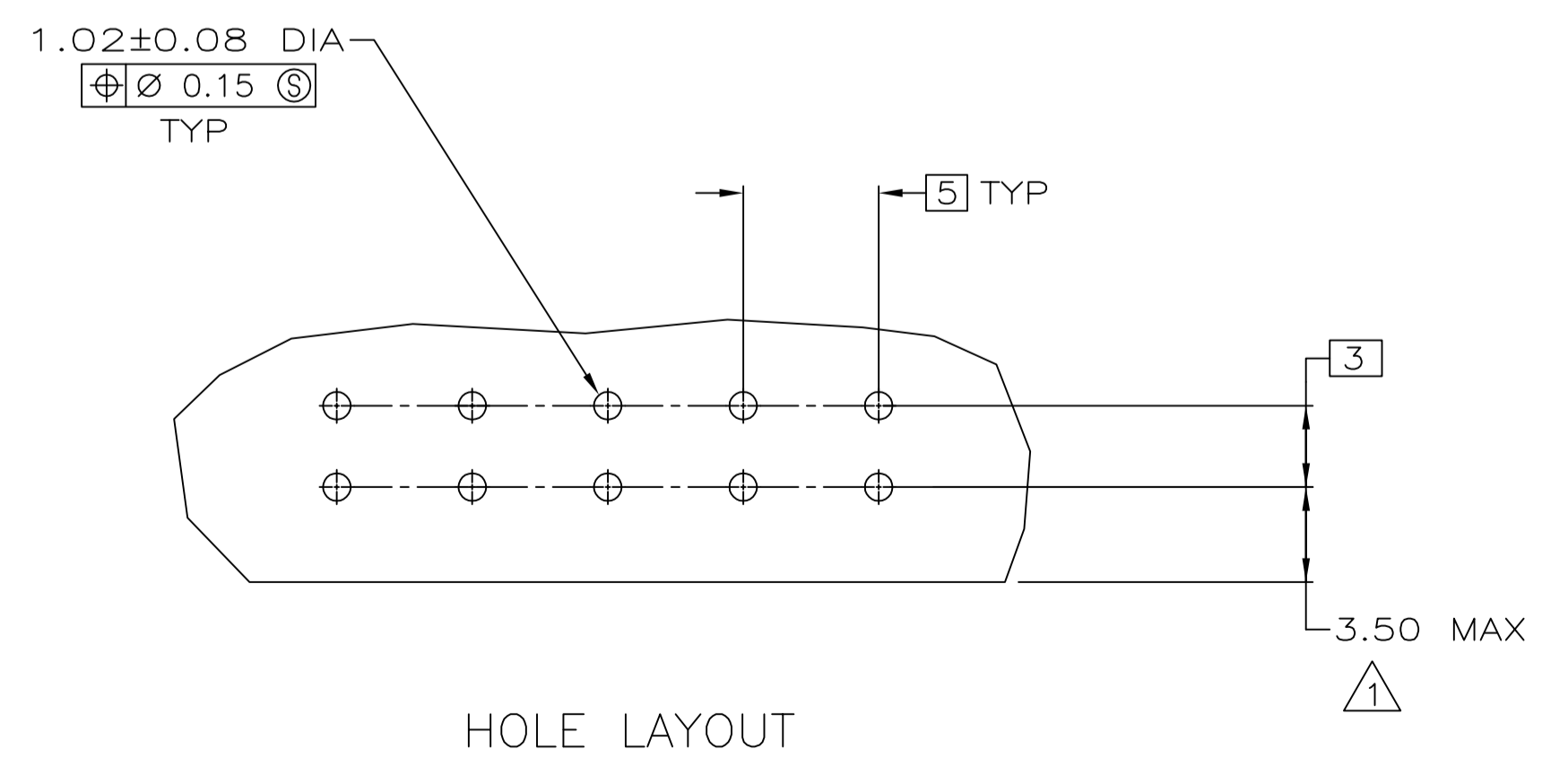
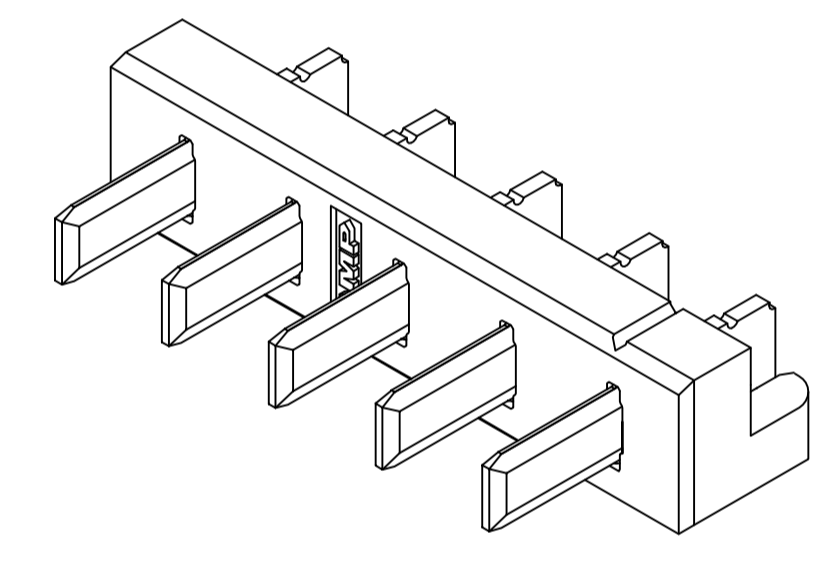
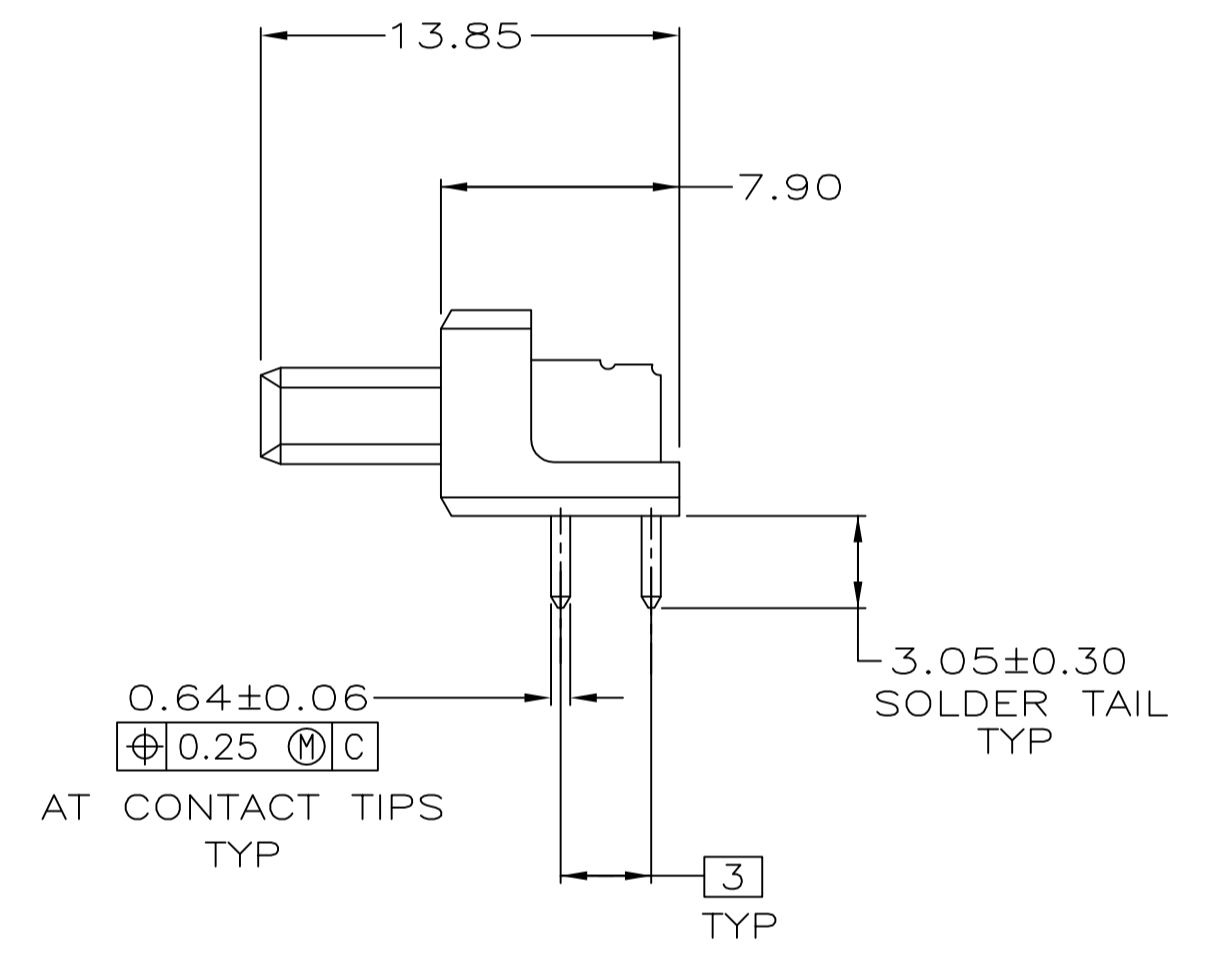
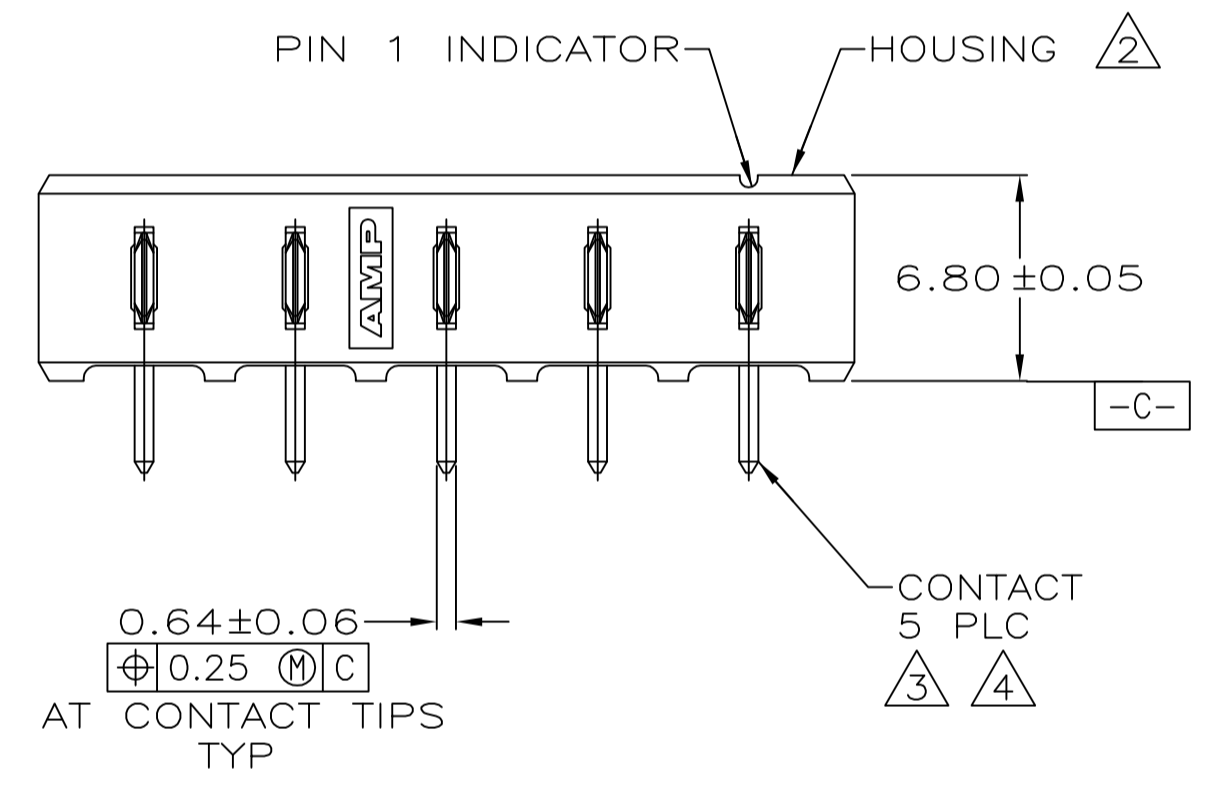
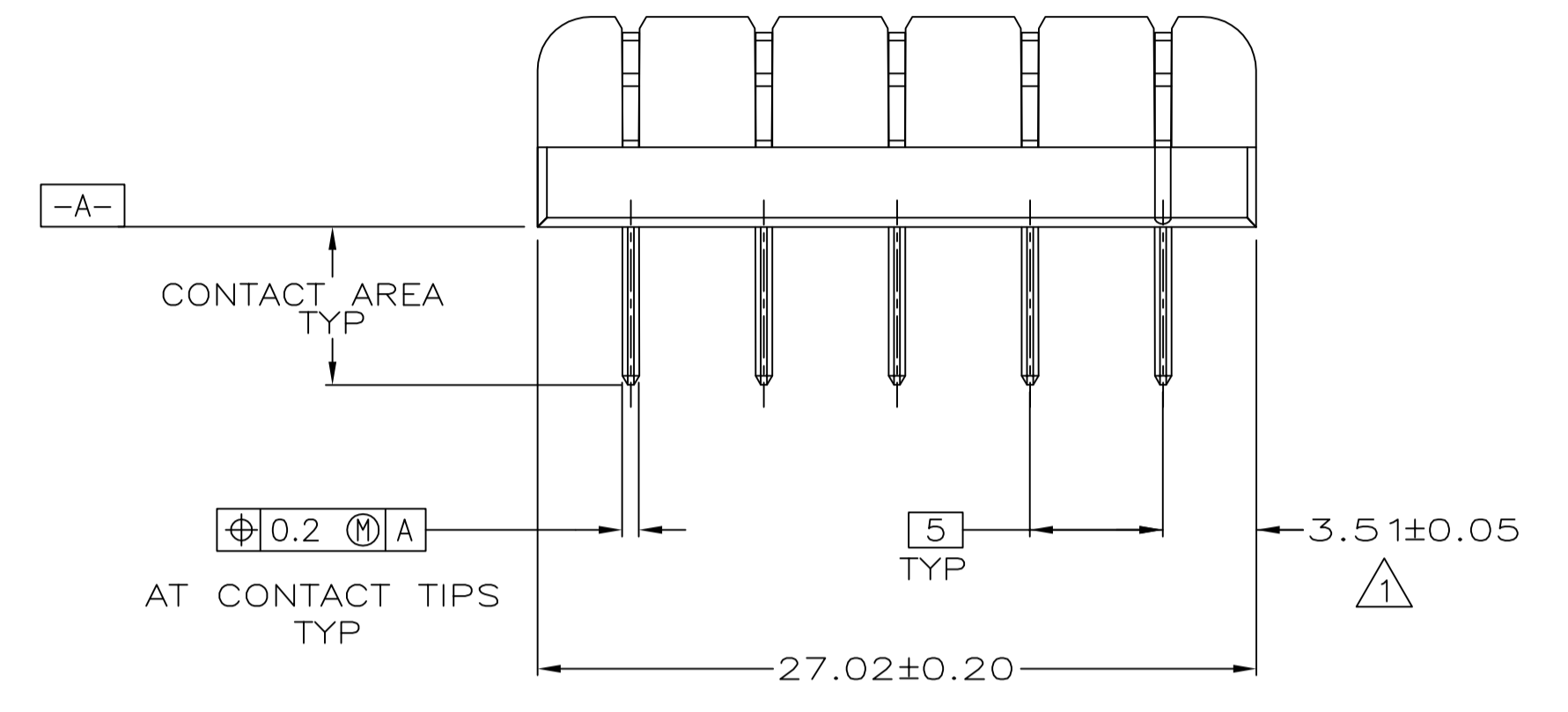


LOC		DIST		REVISIONS			
AD	39	P	LTR	DESCRIPTION	DATE	DWN	APVD
		0		RLSE -1 PER NPR 5307 WAS 95-2197-14-1	03-27-95	SK	SK
		A		REV PER EC 0020-0657-96	12/06/96	JR	RS
		A1		REVISED PER ECR-14-009533	07/07/14	AP	JHA

- △ COORDINATE DIMENSION APPLIES FROM CENTER OF ACTUAL FEATURE.
- △ LCP, BLACK
- △ 2.54 μm MIN TIN-LEAD ON SOLDER TAIL OVER 1.90 μm MIN NICKEL ALL OVER.
- △ CONTACTS: BRASS



SUPERCEDED BY 5787441-1 787441-1
 PART NO

<small>THIS DRAWING IS A CONTROLLED DOCUMENT FOR AMP INCORPORATED. IT IS SUBJECT TO CHANGE AND THE CONTROLLING ENGINEERING ORGANIZATION SHOULD BE CONTACTED FOR THE LATEST REVISION.</small>		DWN S.KLINE 03-27-95		
DIMENSIONS: mm TOLERANCES UNLESS OTHERWISE SPECIFIED: 0 PLC ± 1 PLC ± 2 PLC ±0.13 3 PLC ± 4 PLC ± ANGLES ±		CHK S.KLINE 03-30-95	NAME: HEADER ASSEMBLY, RIGHT ANGLE, KEYLESS, 5mm ϕ , 5 POSN. PRODUCT SPEC: 108-1501 APPLICATION SPEC: 114-24005	
MATERIAL SEE CALLOUTS		FINISH ±	WEIGHT -	SIZE: A1 00779
		CUSTOMER DRAWING		DRAWING NO: C=787441
		SCALE: 4:1		SHEET 1 OF 1 REV A1