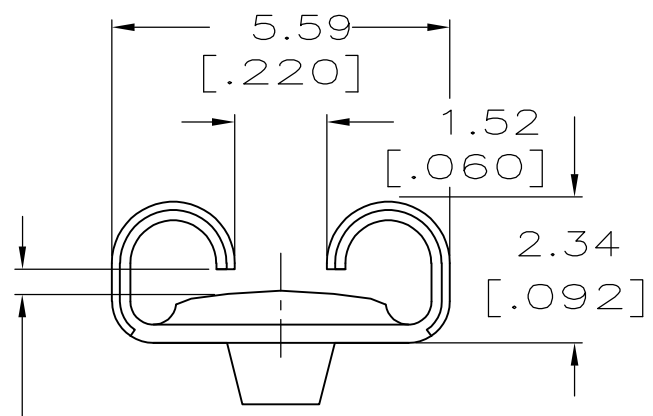
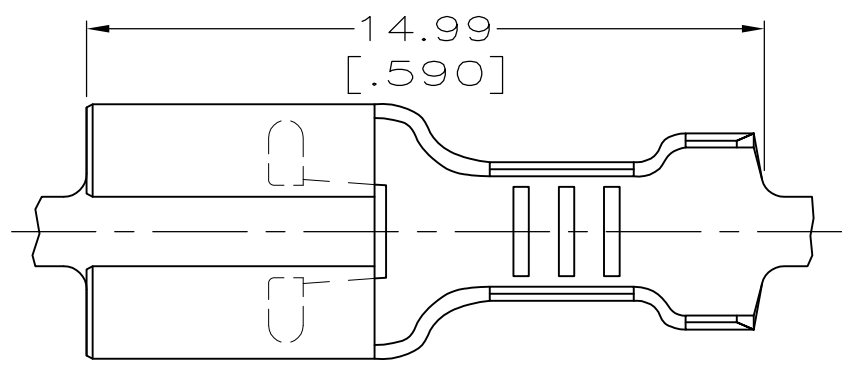


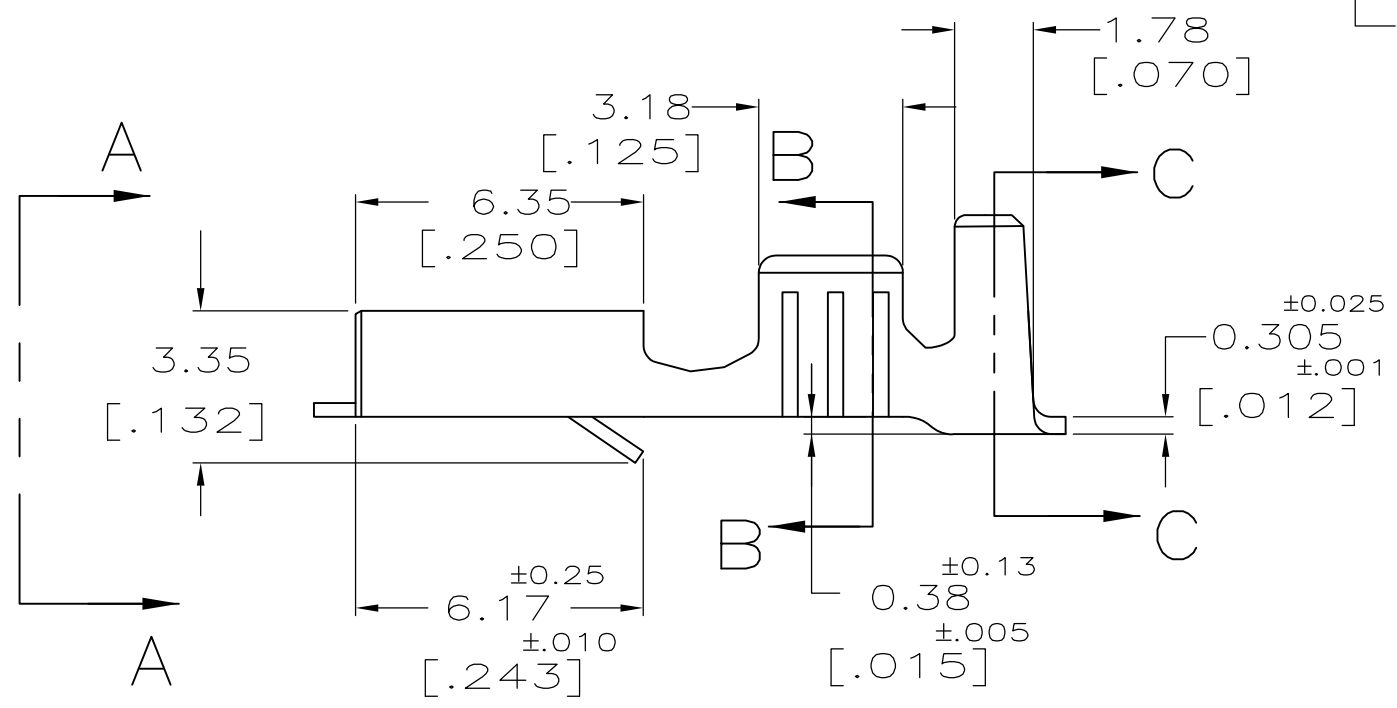
THIS DRAWING IS UNPUBLISHED. RELEASED FOR PUBLICATION
 © COPYRIGHT - By - ALL RIGHTS RESERVED.

LOC	DIST	REVISIONS			
P	LTR	DESCRIPTION	DATE	DWN	APVD
AF	50	M	REVISED PER ECR-13-005733	27AUG2013	KH PD

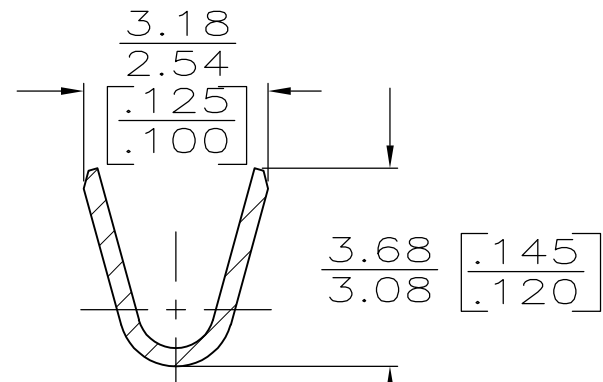


1 CONTINUOUS STRIP ON REELS
 3 OBSOLETE PARTS: OBSOLETE CIS STREAMLINING PER D.RENAUD/D.SINISI

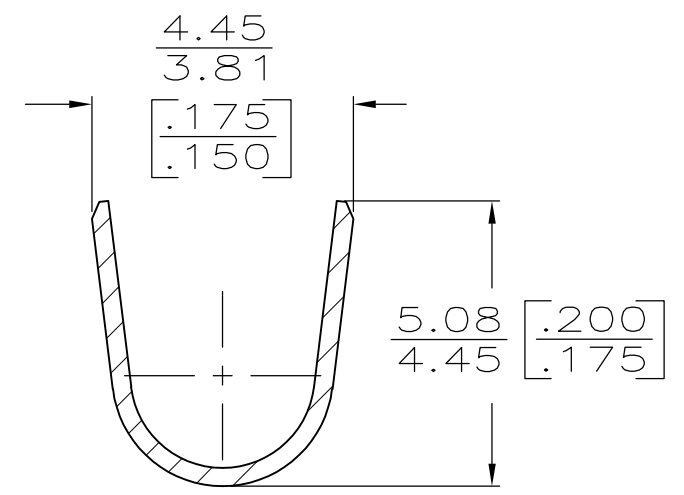
FITS 4.75 [0.187] SERIES TAB



VIEW A-A
SCALE 8:1



SECTION B-B
SCALE 8:1



SECTION C-C
SCALE 8:1

3 OBSOLETE	TIN	2.28 - 3.30	0.3 - 1.4mm ²	62773-2
	-	[.090 - .130]	[22-16]	62773-1
	FINISH	INSUL RANGE	WIRE SIZE	MATING TAB THK ±0.025 [0.001] PART NO

THIS DRAWING IS A CONTROLLED DOCUMENT.		DWN JR RUTH 10/31/89	TE Connectivity RECEPTACLE, FASTIN-FASTON™, .187 SERIES		
DIMENSIONS: mm [INCHES]	TOLERANCES UNLESS OTHERWISE SPECIFIED:	CHK MS FEHER 10/31/89			
	0 PLC ± -	APVD J GILLESPIE 10/31/89	NAME		
	1 PLC ± -	PRODUCT SPEC	SIZE		
	2 PLC ± -	APPLICATION SPEC	CAGE CODE	DRAWING NO	RESTRICTED TO
	3 PLC ± 0.38 [0.015]				
	4 PLC ± -				
	ANGLES ± -				
MATERIAL BRASS	FINISH SEE TABLE	WEIGHT -	A300779 C-62773		
CUSTOMER DRAWING			SCALE 6:1	SHEET 1 OF 1	REV M