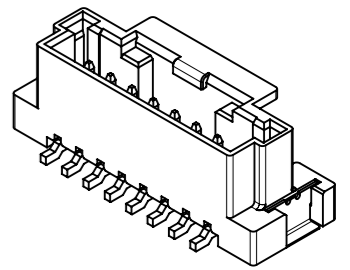
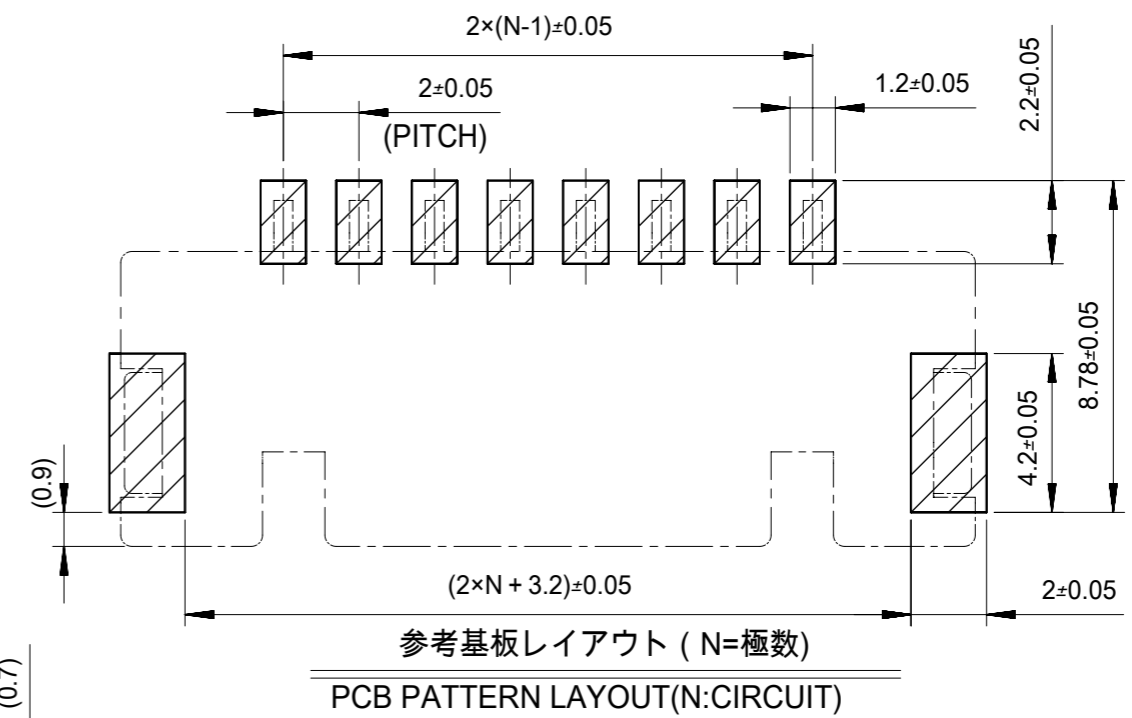
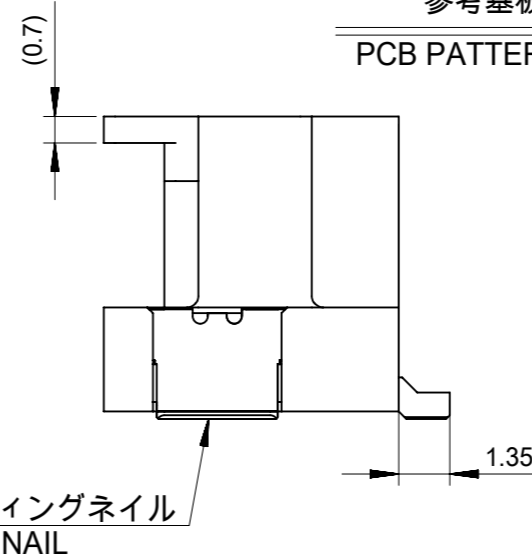


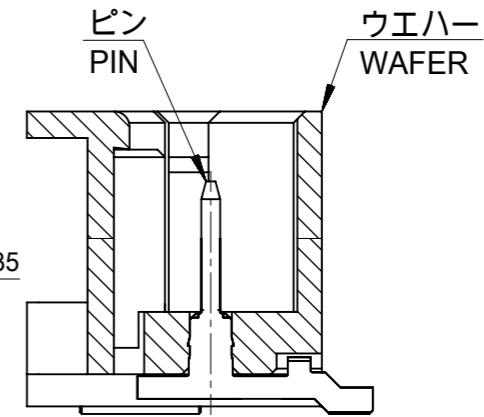
8CKTS



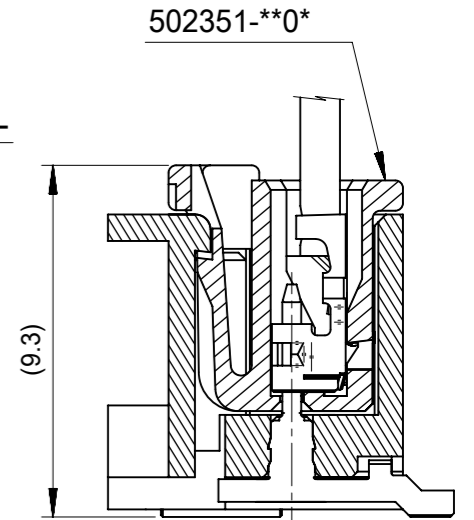
参考基板レイアウト (N=極数)
PCB PATTERN LAYOUT (N:CIRCUIT)



フィッティングネイル
FITTING NAIL



SECTION Z-Z



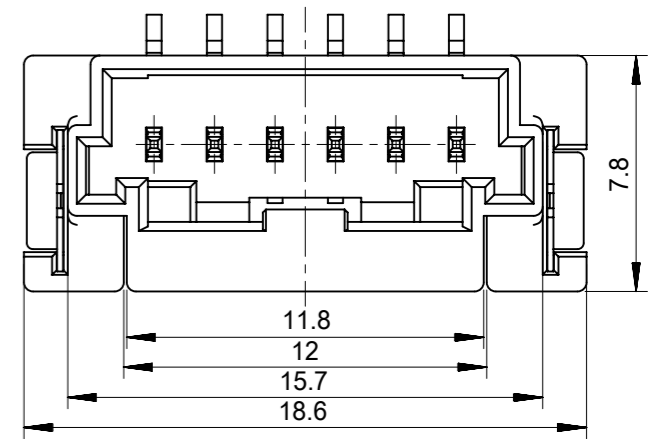
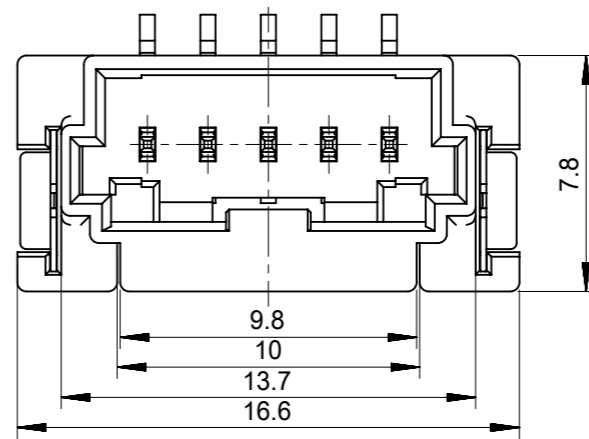
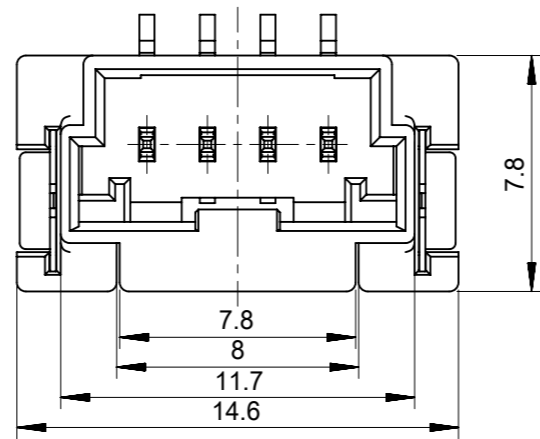
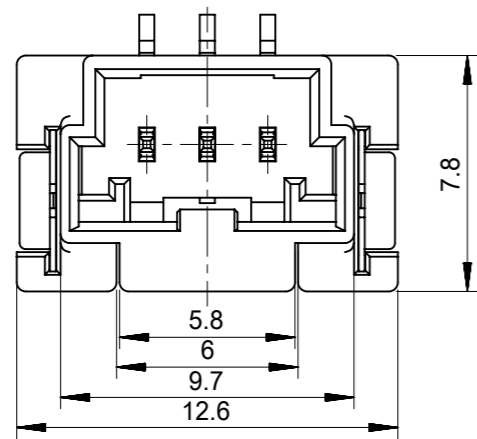
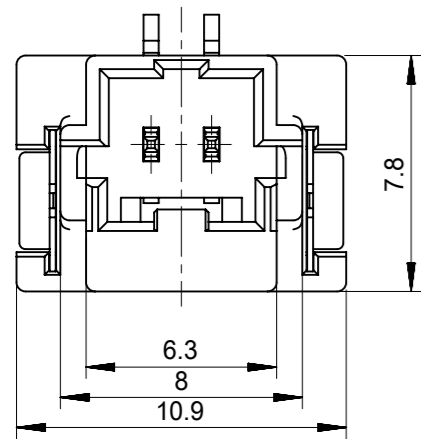
502351-**0*
嵌合図
MATED DRAWING

注記
NOTES

- 材質
ウエハー: 耐熱性ナイロン UL94V-0
ピン: 銅合金、ニッケル下地、錫メッキ、金メッキ
フィッティングネイル: 銅合金、ニッケル下地、錫メッキ
MATERIAL
WAFER: POLYAMIDE UL94V-0
PIN: COPPER ALLOY, GOLD OR TIN OVER NICKEL PLATE.
FITTING NAIL: COPPER ALLOY, TIN OVER NICKEL PLATE.
- 色: ナチュラル、黒、赤、青
COLOR: NATURAL, BLACK, RED, BLUE
- 嵌合相手:
ハウジング: 502351-**0*
錫メッキ端子: 50212-8*00, 50372-8*00, 560085-0101
金メッキ端子: 56161-8*81
MATES WITH
HOUSING: 502351-**0*
SN PLATING TERMINAL: 50212-8*00, 50372-8*00, 560085-0101
AU PLATING TERMINAL: 56161-8*81

- エンボス梱包品の詳細はSD-560020-002参照
DETAILED TAPING PACKAGE, SEE SD-560020-002
- ELV及びRoHS適合
ELV AND RoHS COMPLIANT
- 半田付け面のコプラナリティ: 0.1mm MAX.
CO-PLANARITY OF SOLDER TAILS TO BE 0.1mm MAX.
- 一般公差
GENERAL TOLERANCES
10 UNDER: 0.2
10 OVER 30 UNDER: 0.25
30 OVER: 0.3
ANGULAR ±1°

THIS DRAWING CONTAINS INFORMATION THAT IS PROPRIETARY TO MOLEX ELECTRONIC TECHNOLOGIES, LLC AND SHOULD NOT BE USED WITHOUT WRITTEN PERMISSION		CURRENT REV DESC:			
DIMENSION UNITS	SCALE	EC NO: 177053			
mm	5:1	DRWN: RHORI 2018/05/21		PRODUCT CUSTOMER DRAWING	
GENERAL TOLERANCES (UNLESS SPECIFIED)		CHK'D: HKOMATSU 2018/05/23		DOCUMENT NUMBER	
ANGULAR TOL ± °		APPR: TOSADA 2018/05/23		SD-560020-001	
4 PLACES ±		INITIAL REVISION:		DOC TYPE	
3 PLACES ±		DRWN: SHSHIBATA 2009/02/18		PSD	
2 PLACES ±		APPR: AKANESHIGE 2009/02/18		DOC PART	
1 PLACE ±		DRAWING		001	
0 PLACES ±		SERIES		H	
DRAFT WHERE APPLICABLE MUST REMAIN WITHIN DIMENSIONS		A3-SIZE		SHEET NUMBER	
THIRD ANGLE PROJECTION		560020		1 OF 4	
DRAWING		MATERIAL NUMBER		CUSTOMER	
A3-SIZE		SEE CHART		GENERAL MARKET	



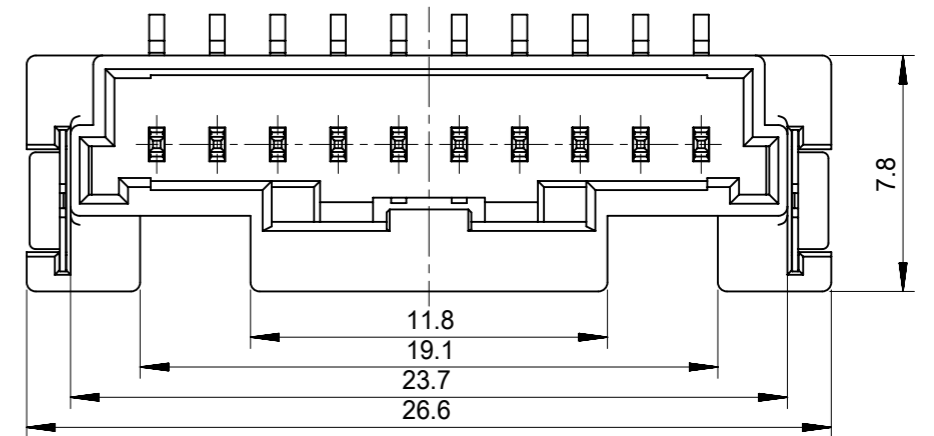
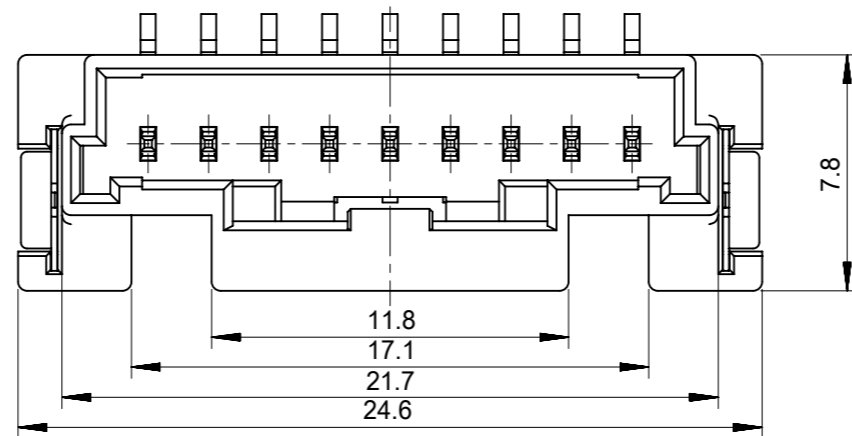
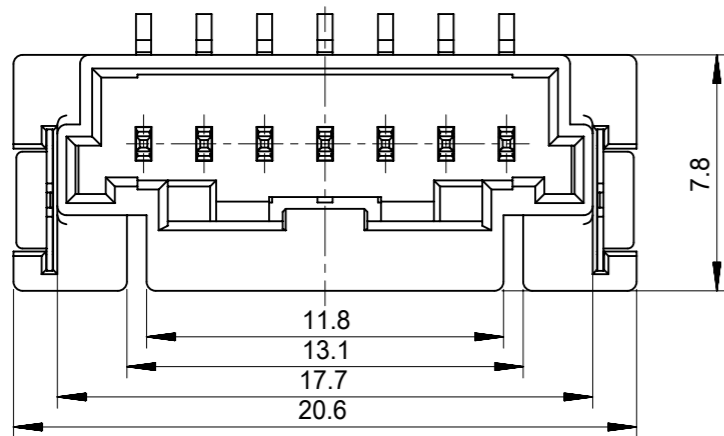
2CKTS

3CKTS

4CKTS

5CKTS

6CKTS



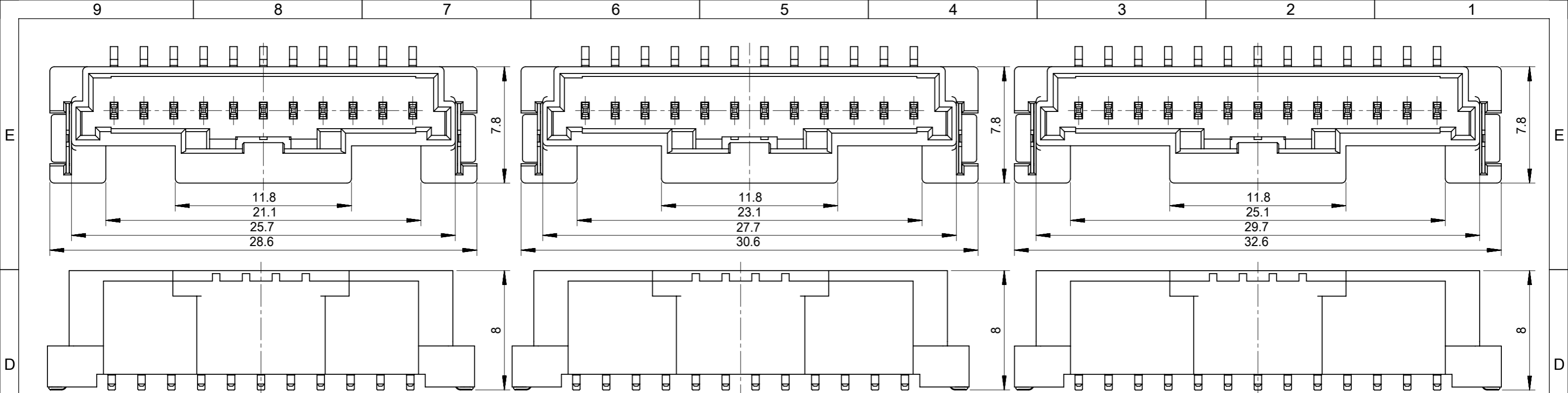
7CKTS

9CKTS

10CKTS

INITIAL REVISION:
 DRWN SHSHIBATA 2009/02/18
 CHECK HKOMATSU 2009/02/18
 APPR AKANESHIGE 2009/02/18

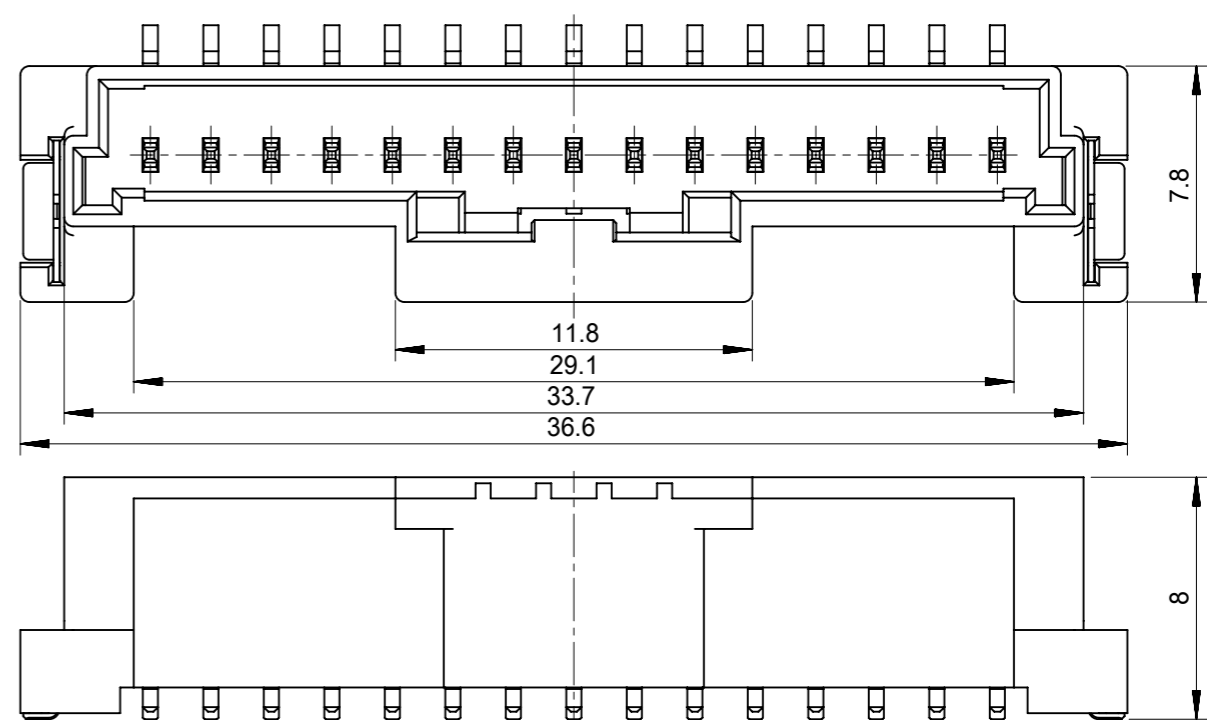
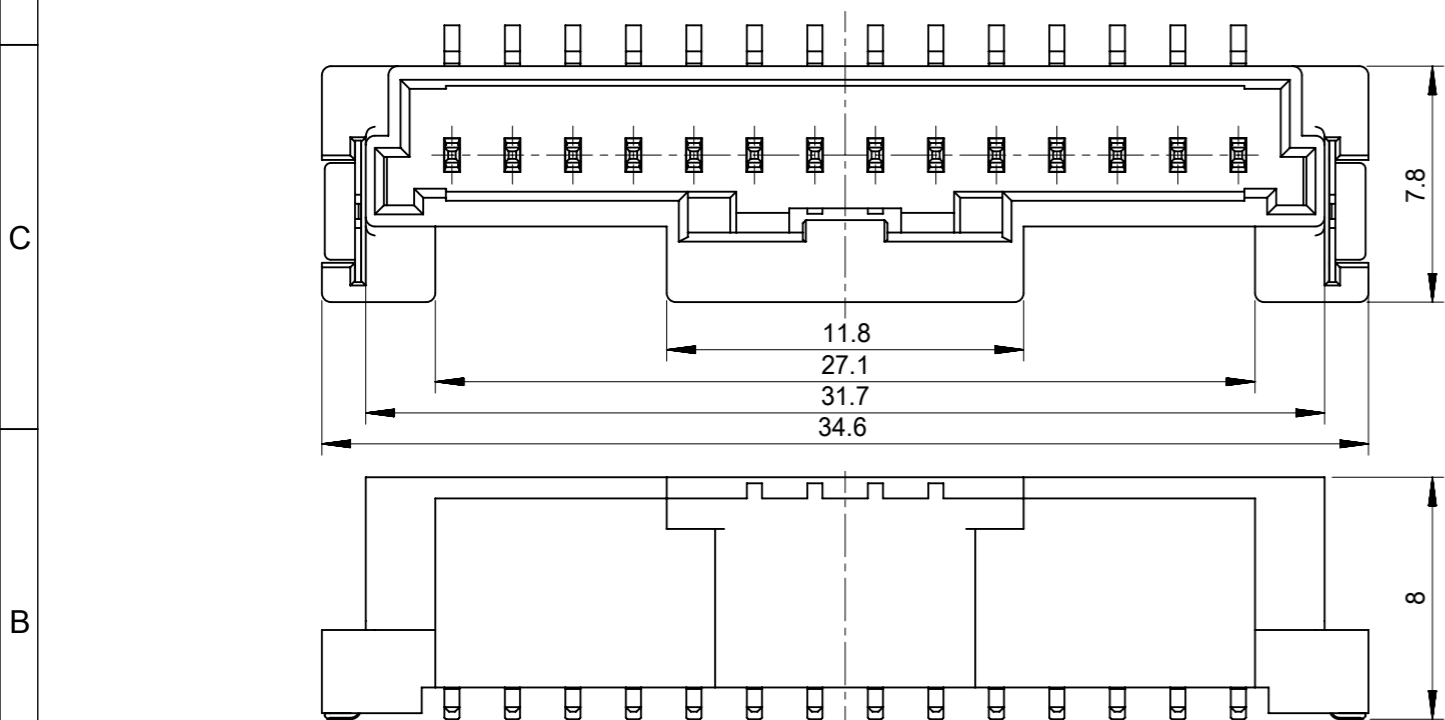
THIS DRAWING CONTAINS INFORMATION THAT IS PROPRIETARY TO MOLEX ELECTRONIC TECHNOLOGIES, LLC AND SHOULD NOT BE USED WITHOUT WRITTEN PERMISSION		CURRENT REV DESC:		molex	
DIMENSION UNITS	SCALE	EC NO: 177053			
mm	4:1	DRWN: RHORI 2018/05/21		2.0MM PITCH W/B CONN.	
GENERAL TOLERANCES (UNLESS SPECIFIED)		CHK'D: HKOMATSU 2018/05/23		WAFER ASSY ST. SMT	
ANGULAR TOL	± °	APPR: TOSADA 2018/05/23		PRODUCT CUSTOMER DRAWING	
4 PLACES	±	INITIAL REVISION:		DOCUMENT NUMBER	
3 PLACES	±	DRWN: SHSHIBATA 2009/02/18		SD-560020-001	
2 PLACES	±	APPR: AKANESHIGE 2009/02/18		DOC TYPE	
1 PLACE	±	DRAFT WHERE APPLICABLE MUST REMAIN WITHIN DIMENSIONS		PSD	
0 PLACES	±	THIRD ANGLE PROJECTION		DOC PART	
		DRAWING		001	
		SERIES		REVISION	
		A3-SIZE		H	
		560020		SHEET NUMBER	
		MATERIAL NUMBER		2 OF 4	
		CUSTOMER			
		SEE CHART			
		GENERAL MARKET			



11CKTS

12CKTS

13CKTS



14CKTS

15CKTS



THIS DRAWING CONTAINS INFORMATION THAT IS PROPRIETARY TO MOLEX ELECTRONIC TECHNOLOGIES, LLC AND SHOULD NOT BE USED WITHOUT WRITTEN PERMISSION		CURRENT REV DESC:		molex	
DIMENSION UNITS	SCALE	EC NO: 177053			
mm	4:1	DRWN: RHORI 2018/05/21		WAFER ASSY ST. SMT	
GENERAL TOLERANCES (UNLESS SPECIFIED)		CHK'D: HKOMATSU 2018/05/23		PRODUCT CUSTOMER DRAWING	
ANGULAR TOL	± °	APPR: TOSADA 2018/05/23		DOCUMENT NUMBER	
4 PLACES	±	INITIAL REVISION:		SD-560020-001	DOC TYPE
3 PLACES	±	DRWN: SHSHIBATA 2009/02/18		PSD	DOC PART
2 PLACES	±	APPR: AKANESHIGE 2009/02/18		001	REVISION
1 PLACE	±	DRAFT WHERE APPLICABLE MUST REMAIN WITHIN DIMENSIONS		H	
0 PLACES	±	THIRD ANGLE PROJECTION	DRAWING	SERIES	MATERIAL NUMBER
			A3-SIZE	560020	SEE CHART
		CUSTOMER	SHEET NUMBER		
		GENERAL MARKET	3 OF 4		

INITIAL REVISION:		
DRWN	SHSHIBATA	2009/02/18
CHECK	HKOMATSU	2009/02/18
APPR	AKANESHIGE	2009/02/18

Sn NATURAL	11.8	29.1	33.7	36.6	560020-1520	15
	11.8	27.1	31.7	34.6	560020-1420	14
	11.8	25.1	29.7	32.6	560020-1320	13
	11.8	23.1	27.7	30.6	560020-1220	12
	11.8	21.1	25.7	28.6	560020-1120	11
	11.8	19.1	23.7	26.6	560020-1020	10
	11.8	17.1	21.7	24.6	560020-0920	9
	11.8	15.1	19.7	22.6	560020-0800/-0820	8
	11.8	13.1	17.7	20.6	560020-0700/-0720	7
	11.8	12	15.7	18.6	560020-0600/-0620	6
	9.8	10	13.7	16.6	560020-0500/-0520	5
	7.8	8	11.7	14.6	560020-0400/-0420	4
	5.8	6	9.7	12.6	560020-0300/-0320	3
	6.3	/	8.0	10.9	560020-0200/-0220	2
PLATING	D	C	B	A	EMBOSSED PACKAGE ORDER NO.	CKTS
CONNECTOR SERIES NO. 560020-**08						

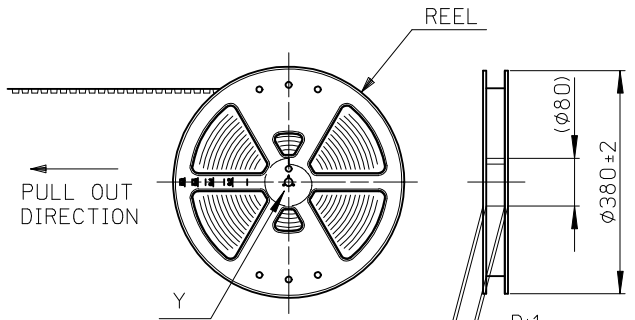
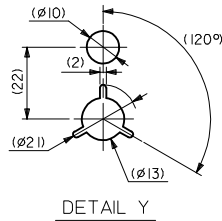
Au NATURAL	11.8	29.1	33.7	36.6	560020-1530	15
	11.8	27.1	31.7	34.6	560020-1430	14
	11.8	25.1	29.7	32.6	560020-1330	13
	11.8	23.1	27.7	30.6	560020-1230	12
	11.8	21.1	25.7	28.6	560020-1130	11
	11.8	19.1	23.7	26.6	560020-1030	10
	11.8	17.1	21.7	24.6	560020-0930	9
	11.8	15.1	19.7	22.6	560020-0830	8
	11.8	13.1	17.7	20.6	560020-0730	7
	11.8	12	15.7	18.6	560020-0630	6
	9.8	10	13.7	16.6	560020-0530	5
	7.8	8	11.7	14.6	560020-0430	4
	5.8	6	9.7	12.6	560020-0330	3
	6.3	/	8.0	10.9	560020-0230	2
PLATING	D	C	B	A	EMBOSSED PACKAGE ORDER NO.	CKTS
CONNECTOR SERIES NO. 560020-**18						

Sn BLACK	11.8	29.1	33.7	36.6	560020-1521	15
	11.8	27.1	31.7	34.6	560020-1421	14
	11.8	25.1	29.7	32.6	560020-1321	13
	11.8	23.1	27.7	30.6	560020-1221	12
	11.8	21.1	25.7	28.6	560020-1121	11
	11.8	19.1	23.7	26.6	560020-1021	10
	11.8	17.1	21.7	24.6	560020-0921	9
	11.8	15.1	19.7	22.6	560020-0821	8
	11.8	13.1	17.7	20.6	560020-0721	7
	11.8	12	15.7	18.6	560020-0621	6
	9.8	10	13.7	16.6	560020-0521	5
	7.8	8	11.7	14.6	560020-0421	4
	5.8	6	9.7	12.6	560020-0321	3
	6.3	/	8.0	10.9	560020-0221	2
PLATING	D	C	B	A	EMBOSSED PACKAGE ORDER NO.	CKTS
CONNECTOR SERIES NO. 560020-**28						

Sn RED	/	/	/	/	/	15
	/	/	/	/	/	14
	/	/	/	/	/	13
	/	/	/	/	/	12
	/	/	/	/	/	11
	/	/	/	/	/	10
	/	/	/	/	/	9
	11.8	15.1	19.7	22.6	560020-0822	8
	/	/	/	/	/	7
	11.8	12	15.7	18.6	560020-0622	6
	/	/	/	/	/	5
	7.8	8	11.7	14.6	560020-0422	4
	5.8	6	9.7	12.6	560020-0322	3
	6.3	/	8.0	10.9	560020-0222	2
PLATING	D	C	B	A	EMBOSSED PACKAGE ORDER NO.	CKTS
CONNECTOR SERIES NO. 560020-**48						

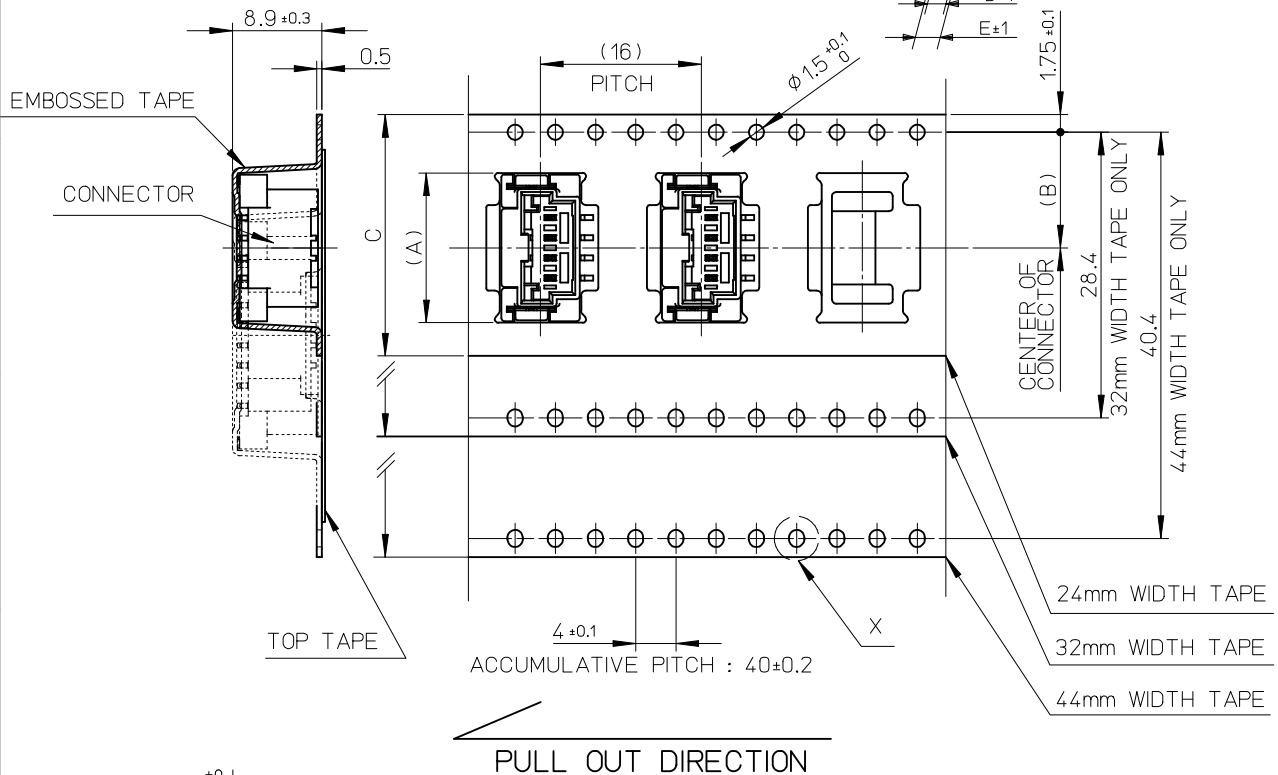
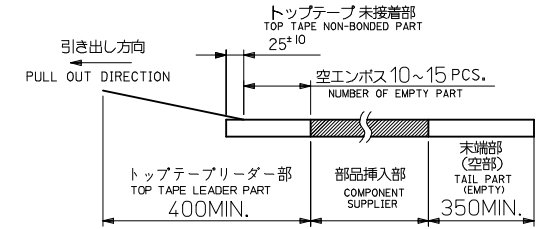
Sn BLUE	/	/	/	/	/	15
	/	/	/	/	/	14
	/	/	/	/	/	13
	/	/	/	/	/	12
	/	/	/	/	/	11
	/	/	/	/	/	10
	/	/	/	/	/	9
	11.8	15.1	19.7	22.6	560020-0823	8
	/	/	/	/	/	7
	11.8	12	15.7	18.6	560020-0623	6
	/	/	/	/	/	5
	7.8	8	11.7	14.6	560020-0423	4
	5.8	6	9.7	12.6	560020-0323	3
	6.3	/	8.0	10.9	560020-0223	2
PLATING	D	C	B	A	EMBOSSED PACKAGE ORDER NO.	CKTS
CONNECTOR SERIES NO. 560020-**68						

DOCUMENT STATUS		P1	RELEASE DATE	2018/05/23	09:22:51
INITIAL REVISION:					
DRWN	SHSHIBATA	2009/02/18			
CHECK	HKOMATSU	2009/02/18			
APPR	AKANESHIGE	2009/02/18			
CURRENT REV DESC:		<p>EC NO: 177053 DRWN: RHORI 2018/05/21 CHK'D: HKOMATSU 2018/05/23 APPR: TOSADA 2018/05/23</p>			
GENERAL TOLERANCES (UNLESS SPECIFIED)		<p>ANGULAR TOL ± ° 4 PLACES ± 3 PLACES ± 2 PLACES ± 1 PLACE ± 0 PLACES ±</p>			
DRAFT WHERE APPLICABLE MUST REMAIN WITHIN DIMENSIONS		<p>THIRD ANGLE PROJECTION DRAWING A3-SIZE SERIES 560020 MATERIAL NUMBER SEE CHART CUSTOMER GENERAL MARKET SHEET NUMBER 4 OF 4</p>			
molex		<p>2.0MM PITCH W/B CONN. WAFER ASSY ST. SMT</p>			
PRODUCT CUSTOMER DRAWING		<p>DOCUMENT NUMBER SD-560020-001 DOC TYPE PSD DOC PART 001 REVISION H</p>			



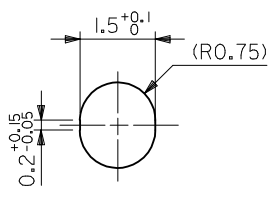
NOTES

- 製品番号: 560020-***0 詳細寸法については、製品単体図面を参照ください。
PART NO. 5600020-***0 SEE SALES DRAWING FOR CONNECTOR
- 梱包数量: 650個/REEL
NUMBER OF CONNECTORS 650 PCS/REEL
- リードテープ長さ
LEAD TAPE LENGTH



4. 材料
MATERIAL
キャリアテープ: ポリスチレン
CARRIER TAPE: POLYSTYRENE
トップテープ: PET, PE, PEF
TOP TAPE
リール: ポリスチレン
REEL: POLYSTYRENE

49.4	45.4	44	20.2	22.9	560020-0800	08
				20.9	560020-0700	07
37.4	33.4	32	14.2	18.9	560020-0600	06
				16.9	560020-0500	05
				14.9	560020-0400	04
29.4	25.4	24	11.5	12.9	560020-0300	03
				11.2	560020-0200	02
E	D	C	(B)	(A)	エンボス梱包品 製品番号	CIRCUITS
					MATERIAL NO.	



DETAIL X
(SCALE 10:1)

PULL OUT DIRECTION
DIRECTION OF CONNECTOR
IN EMBOSSSED TAPE

REVISED EC NO: JTR2014-0066 DRWN:YTAMAKI 2014/01/15 CHKD:HKOMATSU 2014/01/15 APPR: MAYAMAMOTO 2014/02/24	DESCRIPTION REV	GENERAL TOLERANCES (UNLESS SPECIFIED)		DIMENSION STYLE MM ONLY		SCALE 2:1	DESIGN UNITS METRIC	THIRD ANGLE PROJECTION		
		10 UNDER	±0.2	DRAWN BY YTAMAKI	DATE 2012/02/29	TITLE 2.0MM PITCH W/B ST. WAFER ASSY EMBOSSSED TAPE PACKAGE				
		10 OVER 30 UNDER	±0.25	CHECKED BY HKOMATSU	DATE 2012/02/29					
		30 OVER	±0.3	APPROVED BY MAYAMAMOTO	DATE 2012/03/01					
ANGULAR ±1 ° DRAFT WHERE APPLICABLE MUST REMAIN WITHIN DIMENSIONS		MATERIAL NO. SEE CHART		DOCUMENT NO. SD-560020-002		SHEET NO. 1 OF 1				
		SIZE A3		THIS DRAWING CONTAINS INFORMATION THAT IS PROPRIETARY TO MOLEX INCORPORATED AND SHOULD NOT BE USED WITHOUT WRITTEN PERMISSION						