

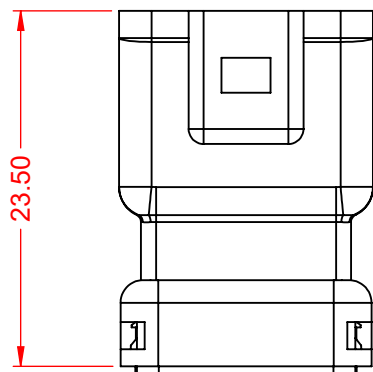
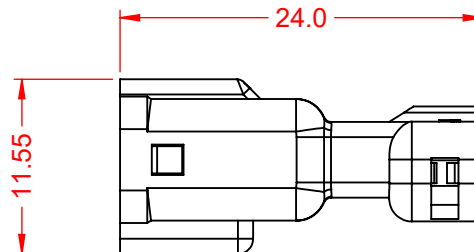
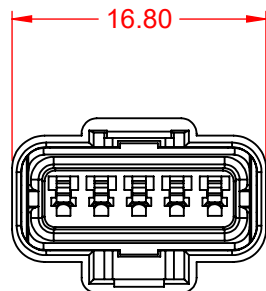
5 CONTACTS  
 WHITE MALE HOUSING FOR WIRE INSULATION Ø1.00 TO Ø1.30

TOLERANCE UNLESS OTHERWISE SPECIFIED	
.X	±0.38
.XX	±0.25
.XXX	±0.13

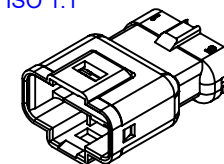
THIS IS A C.A.D. GENERATED DRAWING  
 DO NOT MAKE MANUAL REVISIONS TO MASTER.



ISSUE NUMBER	
ORIGINAL	①



ISO 1:1



**NOTE:**  
**ELECTRICAL SPECIFICATIONS:**  
 VOLTAGE RATING: 250V MAX.  
 CURRENT RATING: 3A per CONTACT  
 CONTACT RESISTANCE: 15mΩ MAX.  
 INSULATOR RESISTANCE: 1000MΩ min.  
 DIELECTRIC WITHSTANDING VOLTAGE: 1000V AC(RMS)  
 OPERATING TEMPERATURE: -40°C ~ 105°C

**MATERIAL & FINISH:**  
 HOUSING: PBT, UL94V-0  
 CONTACTS: PHOSPHOR BRONZE, TIN PLATED  
 SEALS: SILICONE RUBBER

<b>560 SERIES WATERPROOF CONNECTOR</b>		ACAD REFERENCE NO.: 560 Assembly	
		DRAWN: C.B	DATE: July 23, 2020
<b>EDAC</b> EDAC INC TORONTO, ONTARIO CANADA YOUR CONNECTION TO QUALITY & SERVICE		CHECKED:	DATE:
		SCALE: 2:1	SHEET 1 OF 1
THESE DRAWINGS AND SPECIFICATIONS ARE THE PROPERTY OF EDAC INC., AND SHALL NOT BE REPRODUCED, OR COPIED OR USED AS THE BASIS FOR THE MANUFACTURE OR SALE OF APPARATUS WITHOUT WRITTEN PERMISSION.			DRAWING NUMBER: 560 Assembly
			PART NUMBER: 560-005-000-110
			ISSUE 1



THIS SERIES FULLY CONFORMS TO  
 THE EUROPEAN UNION DIRECTIVES  
 2011/65/EU FOR RoHS COMPLIANCY.