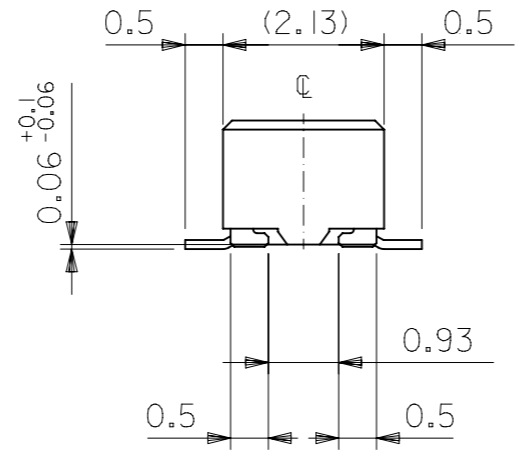
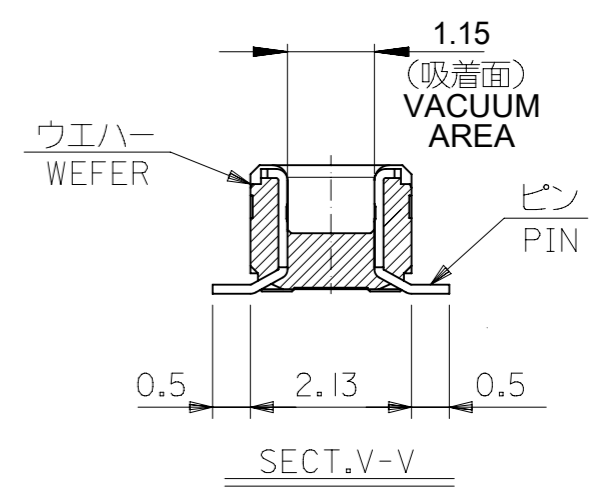


注記 NOTES:

- 使用材料 MATERIAL
 ウエハー: 液晶ポリマー (LCP) ガラス充填 UL94V-0 (黒)
 WAFER: LIQUID CRYSTAL POLYMER (GLASS FILLED)
 UL94V-0 (COLOR:BLACK)
 ピン: 黄銅 (t=0.12)
 PIN: BRASS (t=0.12)
 金具: リン青銅 (t=0.2)
 FITTING NAIL: PHOSPHOR BRONZE (t=0.2)
- メッキ仕様 PLATING
 ピン PIN
 金メッキ 0.2 マイクロメートル以上 (コンタクト部)
 GOLD 0.2MICROMETER MINIMUM (CONTACT AREA)
 金メッキ 0.4 マイクロメートル以下 (テール部)
 GOLD 0.4MICROMETER MAXIMUM (TAIL AREA)
 下地メッキ: ニッケルメッキ 1.5 マイクロメートル以上
 UNDER PLATING: NICKEL 1.5MICROMETER MINIMUM
 金具 FITTING NAIL
 錫メッキ 1.0 マイクロメートル以上
 TIN PLATING 1.0MICROMETER MINIMUM
 下地メッキ: ニッケルメッキ 1.0 マイクロメートル以上
 UNDER PLATING: NICKEL 1.0MICROMETER MINIMUM



- (全極数/2) = 偶数の場合に適用。
 APPLY FOR (CIRCUIT/2)=EVEN.
- 嵌合相手: 51338シリーズ (嵌合高さ = 2.0mm) 及び
 500913シリーズ (嵌合高さ = 2.3mm)
 MATE WITH: 51338 SERIES (HEIGHT = 2.0mm) AND
 500913 SERIES (HEIGHT = 2.3mm)
- テール平坦度は、0.08以下
 テール及び金具の平坦度は、0.1以下
 TAIL COPLANARITY TO BE 0.08MAXIMUM
 TAIL AND FITTING NAIL
 COPLANARITY TO BE 0.1MAXIMUM
- ELV 及び RoHS 適合品
 ELV AND RoHS COMPLIANT.



17.2	15.6	18.0	501745-0801	80
15.2	13.6	16.0	501745-0701	70
13.2	11.6	14.0	501745-0601	60
12.0	10.4	12.8	501745-0541	54
11.2	9.6	12.0	501745-0501	50
9.2	7.6	10.0	501745-0401	40
7.2	5.6	8.0	501745-0301	30
3.6	2.0	4.4	501745-9901	12
C	B	A	EMBOSSED PACKAGE	CKT.
			ORDER NO. オーダー番号	
			CONNECTOR SERIES No.	501745-***0

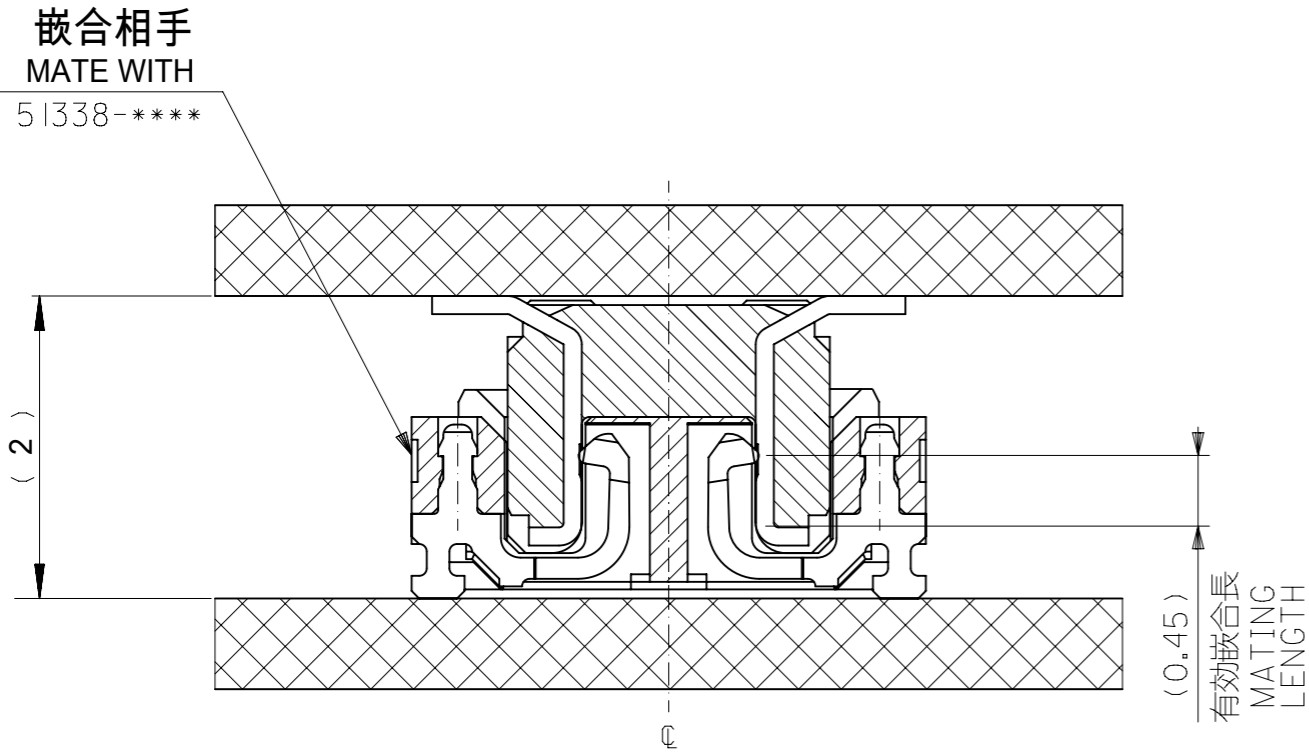
THIS DRAWING CONTAINS INFORMATION THAT IS PROPRIETARY TO MOLEX ELECTRONIC TECHNOLOGIES, LLC AND SHOULD NOT BE USED WITHOUT WRITTEN PERMISSION

DIMENSION UNITS	SCALE	CURRENT REV DESC:	molex		
mm	NTS				
GENERAL TOLERANCES (UNLESS SPECIFIED)			0.4 B-TO-B CONN. H = 2.0 / 2.3 J-BEND PLUG		
ANGULAR TOL ± 3.0°			PRODUCT CUSTOMER DRAWING		
4 PLACES	±	EC NO: 739909	DOCUMENT NUMBER	DOC TYPE	DOC PART
3 PLACES	±	DRWN: RAJMOK	SD-501745-001	PSD	001
2 PLACES	±	CHK'D: HSHIMUYAMA	REVISION		J
1 PLACE	±	APPR: YNAITO			
0 PLACES	±	INITIAL REVISION:			
DRAFT WHERE APPLICABLE MUST REMAIN WITHIN DIMENSIONS			DRWN: KSAITO01		
THIRD ANGLE PROJECTION			APPR: NUKITA		
DRAWING			SERIES	MATERIAL NUMBER	CUSTOMER
A3-SIZE			501745	SEE TABLE	GENERAL MARKET

GENERAL TOLERANCES (UNLESS SPECIFIED)

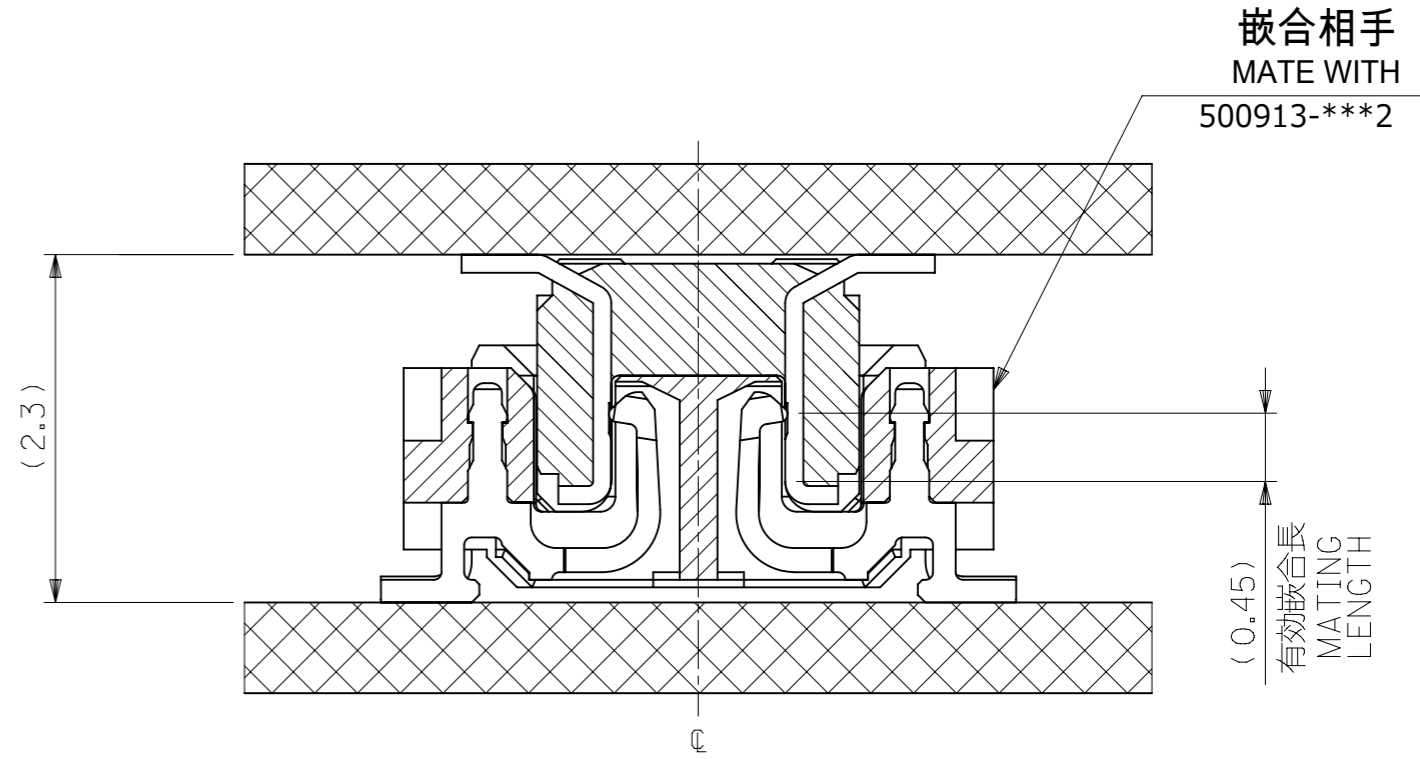
10 UNDER	±0.2
10 OVER 30 UNDER	±0.25
30 OVER	±0.3

MATE : 501745 WITH 51338

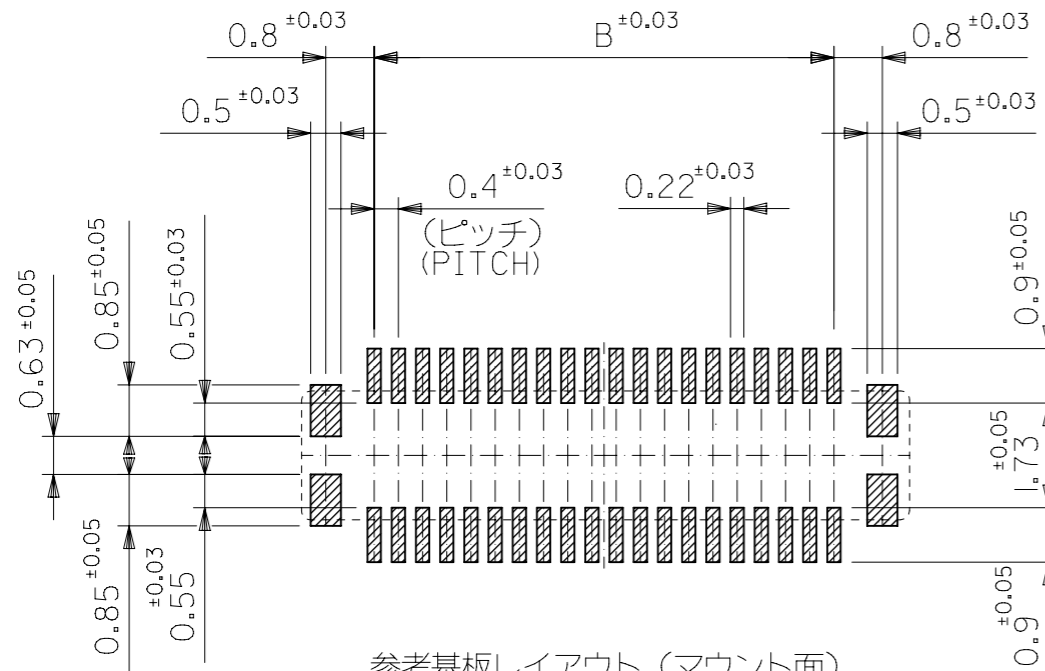


嵌合断面図 (参考)
MATED DRAWING (REFERENCE)

MATE : 501745 WITH 500913



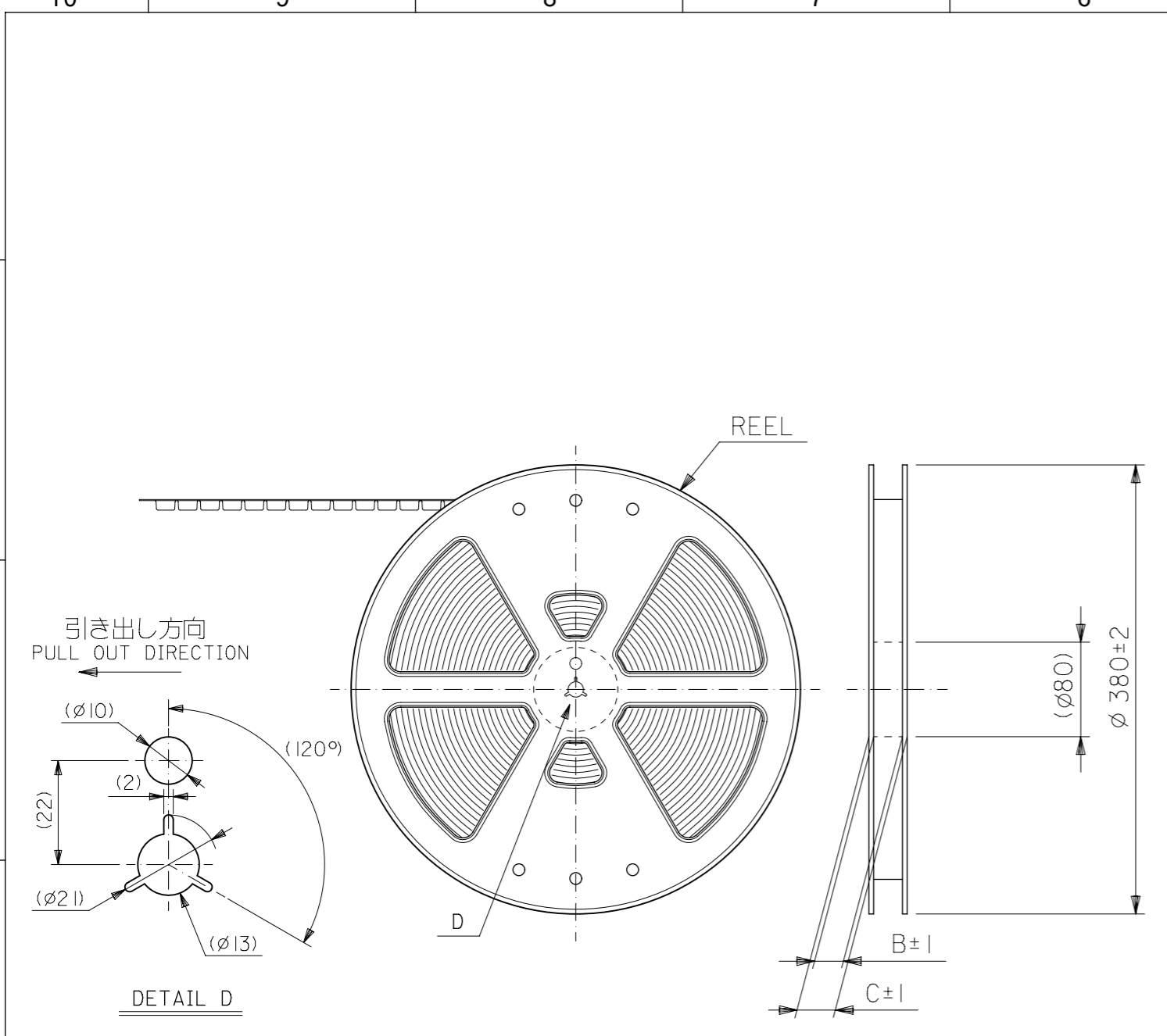
嵌合断面図 (参考)
MATED DRAWING (REFERENCE)



参考基板レイアウト (マウント面)
P.C.BOARD PATTERN DIMENSION.
(REFERENCE)
(MOUNTING AREA)

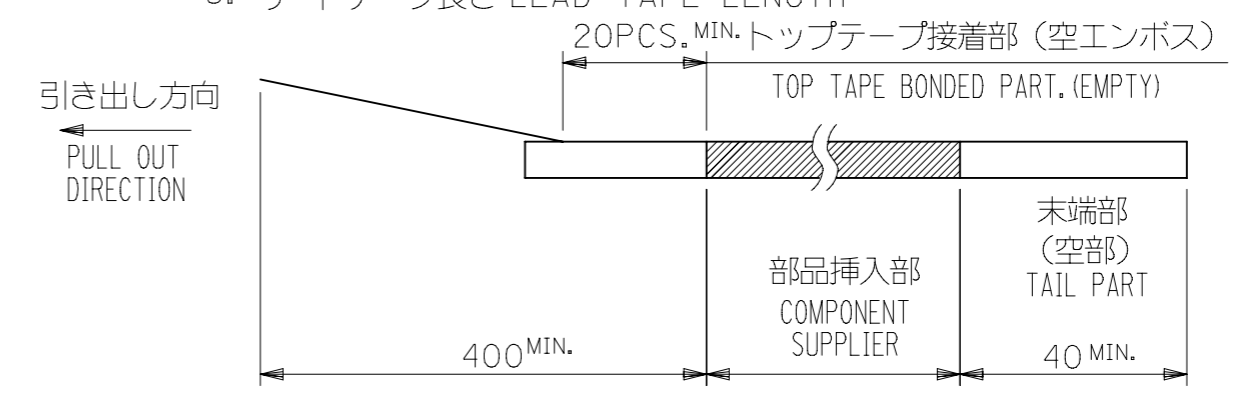
GENERAL TOLERANCES (UNLESS SPECIFIED)	
10 ^{UNDER}	±0.2
10 ^{OVER} 30 ^{UNDER}	±0.25
30 ^{OVER}	±0.3

THIS DRAWING CONTAINS INFORMATION THAT IS PROPRIETARY TO MOLEX ELECTRONIC TECHNOLOGIES, LLC AND SHOULD NOT BE USED WITHOUT WRITTEN PERMISSION		CONNECTOR SERIES No. 501745-***0	
DIMENSION UNITS: mm	SCALE: NTS	CURRENT REV DESC:	
GENERAL TOLERANCES (UNLESS SPECIFIED)		molex	
ANGULAR TOL ± 3.0°		0.4 B-TO-B CONN. H = 2.0 / 2.3 J-BEND PLUG	
4 PLACES ±		PRODUCT CUSTOMER DRAWING	
3 PLACES ±		DOCUMENT NUMBER: SD-501745-001	
2 PLACES ±		DOC TYPE: PSD	
1 PLACE ±		DOC PART: 001	
0 PLACES ±		REVISION: J	
DRAFT WHERE APPLICABLE MUST REMAIN WITHIN DIMENSIONS		THIRD ANGLE PROJECTION	DRAWING: A3-SIZE
SERIES: 501745		MATERIAL NUMBER: SEE SHEET-1	CUSTOMER: GENERAL MARKET
SHEET NUMBER: 2 OF 2		DATE: 2021/05/01	



NOTES

- 製品詳細寸法については製品単体図面を参照下さい。
DETAIL DIMENSIONS, SEE PRODUCT DRAWING.
- 梱包数量：2500個/リール
NUMBER OF CONNECTORS : 2500PCS/REEL
- リードテープ長さ LEAD TAPE LENGTH



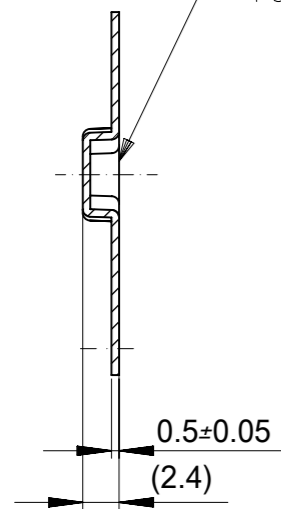
- 材料 MATERIAL
 キャリアテープ (CARRIER TAPE) : ポリスチレン (POLYSTYRENE)
 トップテープ (TOP TAPE) : PET
 リール (REEL) : ポリスチレン (PS) <リサイクル材を含む>
 POLYSTYRENE (PS) <RECYCLE MATERIAL CONTAINED>
- ELV 及び RoHS 適合品
 ELV AND RoHS COMPLIANT.

DOCUMENT STATUS		P1	RELEASE DATE	2020/06/01	01:17:13																																																
GENERAL TOLERANCES (UNLESS SPECIFIED)		<table border="1"> <tr> <th>DIMENSION UNITS</th> <th>SCALE</th> </tr> <tr> <td>mm</td> <td>NTS</td> </tr> <tr> <td colspan="2">GENERAL TOLERANCES (UNLESS SPECIFIED)</td> </tr> <tr> <td>4 PLACES</td> <td>±</td> </tr> <tr> <td>3 PLACES</td> <td>±</td> </tr> <tr> <td>2 PLACES</td> <td>±</td> </tr> <tr> <td>1 PLACE</td> <td>±</td> </tr> <tr> <td>0 PLACES</td> <td>±</td> </tr> <tr> <td colspan="2">ANGULAR TOL ± 3.0°</td> </tr> <tr> <td colspan="2">DRAFT WHERE APPLICABLE MUST REMAIN WITHIN DIMENSIONS</td> </tr> </table>				DIMENSION UNITS	SCALE	mm	NTS	GENERAL TOLERANCES (UNLESS SPECIFIED)		4 PLACES	±	3 PLACES	±	2 PLACES	±	1 PLACE	±	0 PLACES	±	ANGULAR TOL ± 3.0°		DRAFT WHERE APPLICABLE MUST REMAIN WITHIN DIMENSIONS																													
DIMENSION UNITS	SCALE																																																				
mm	NTS																																																				
GENERAL TOLERANCES (UNLESS SPECIFIED)																																																					
4 PLACES	±																																																				
3 PLACES	±																																																				
2 PLACES	±																																																				
1 PLACE	±																																																				
0 PLACES	±																																																				
ANGULAR TOL ± 3.0°																																																					
DRAFT WHERE APPLICABLE MUST REMAIN WITHIN DIMENSIONS																																																					
10 ^{UNDER}	±0.2	<table border="1"> <tr> <td colspan="2">CURRENT REV DESC:</td> <td colspan="2">molex</td> </tr> <tr> <td colspan="2">EC NO: 638555</td> <td colspan="2">0.4 B-TO-B CONN. H = 2.0 / 2.3 J-BEND PLUG</td> </tr> <tr> <td>DRWN: BKBAE</td> <td>2020/05/15</td> <td colspan="2">PRODUCT CUSTOMER DRAWING</td> </tr> <tr> <td>CHK'D: SHCHU</td> <td>2020/05/29</td> <td colspan="2">DOCUMENT NUMBER</td> </tr> <tr> <td>APPR: SHCHU</td> <td>2020/06/01</td> <td>SD-501745-002</td> <td>PSD 001 F</td> </tr> <tr> <td colspan="2">INITIAL REVISION:</td> <td>DOC TYPE</td> <td>DOC PART</td> </tr> <tr> <td>DRWN: K.SAITO</td> <td>2007/03/01</td> <td>PSD</td> <td>001</td> </tr> <tr> <td>APPR: N.UKITA</td> <td>2007/03/01</td> <td>DOC PART</td> <td>F</td> </tr> <tr> <td colspan="2">THIRD ANGLE PROJECTION</td> <td>MATERIAL NUMBER</td> <td>CUSTOMER</td> </tr> <tr> <td colspan="2">DRAWING</td> <td>SEE CHART</td> <td>GENERAL MARKET</td> </tr> <tr> <td colspan="2">SERIES</td> <td colspan="2">SHEET NUMBER</td> </tr> <tr> <td colspan="2">A3-SIZE</td> <td colspan="2">1 OF 4</td> </tr> </table>				CURRENT REV DESC:		molex		EC NO: 638555		0.4 B-TO-B CONN. H = 2.0 / 2.3 J-BEND PLUG		DRWN: BKBAE	2020/05/15	PRODUCT CUSTOMER DRAWING		CHK'D: SHCHU	2020/05/29	DOCUMENT NUMBER		APPR: SHCHU	2020/06/01	SD-501745-002	PSD 001 F	INITIAL REVISION:		DOC TYPE	DOC PART	DRWN: K.SAITO	2007/03/01	PSD	001	APPR: N.UKITA	2007/03/01	DOC PART	F	THIRD ANGLE PROJECTION		MATERIAL NUMBER	CUSTOMER	DRAWING		SEE CHART	GENERAL MARKET	SERIES		SHEET NUMBER		A3-SIZE		1 OF 4	
CURRENT REV DESC:		molex																																																			
EC NO: 638555		0.4 B-TO-B CONN. H = 2.0 / 2.3 J-BEND PLUG																																																			
DRWN: BKBAE	2020/05/15	PRODUCT CUSTOMER DRAWING																																																			
CHK'D: SHCHU	2020/05/29	DOCUMENT NUMBER																																																			
APPR: SHCHU	2020/06/01	SD-501745-002	PSD 001 F																																																		
INITIAL REVISION:		DOC TYPE	DOC PART																																																		
DRWN: K.SAITO	2007/03/01	PSD	001																																																		
APPR: N.UKITA	2007/03/01	DOC PART	F																																																		
THIRD ANGLE PROJECTION		MATERIAL NUMBER	CUSTOMER																																																		
DRAWING		SEE CHART	GENERAL MARKET																																																		
SERIES		SHEET NUMBER																																																			
A3-SIZE		1 OF 4																																																			
10 ^{OVER}	30 ^{UNDER}	±0.25																																																			
30 ^{OVER}		±0.3																																																			

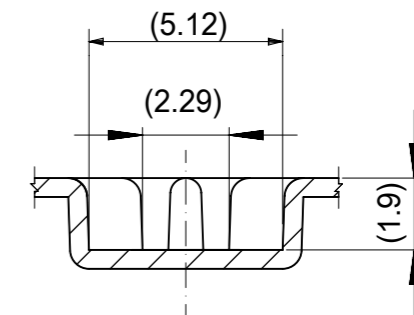
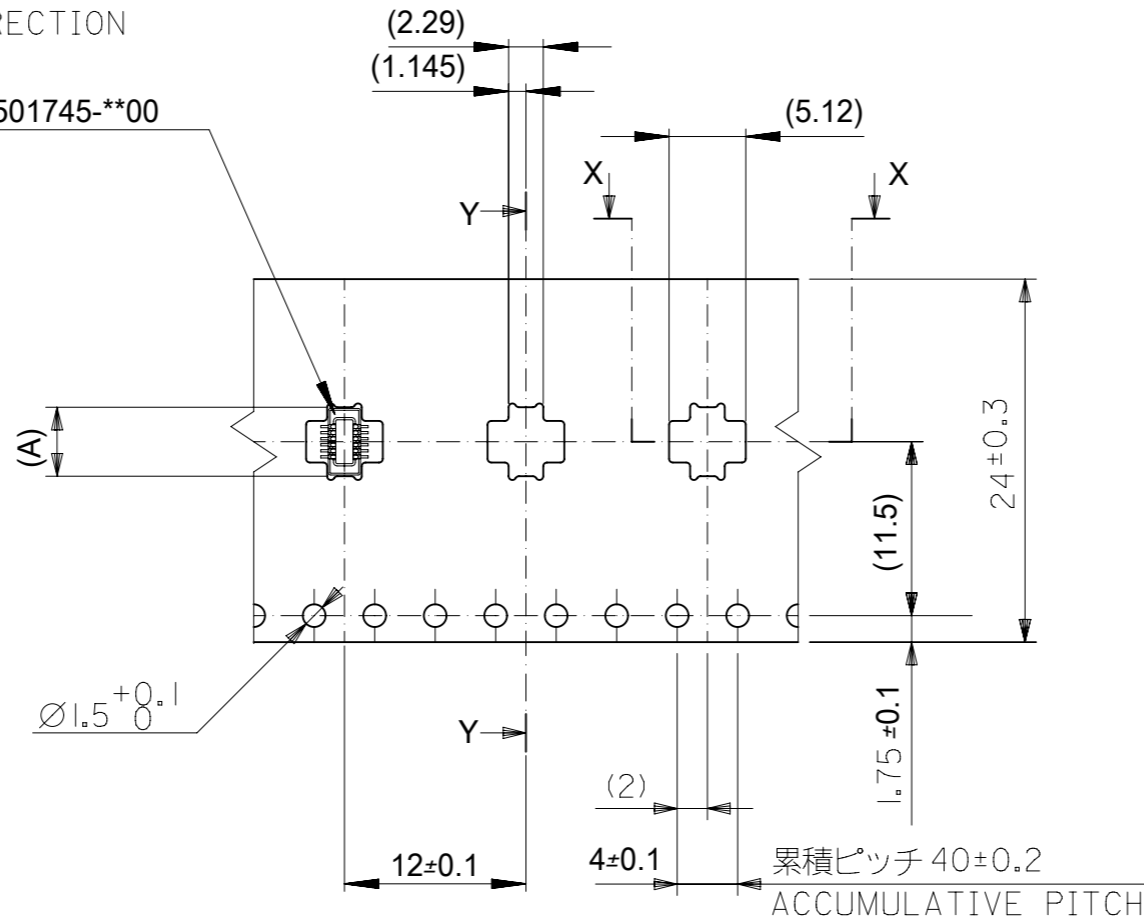
引き出し方向
PULL OUT DIRECTION

501745-**00

トップテープ
TOP TAPE



SECT. Y-Y



SECT. X-X

注記)製品がポケット内に問題なく収まること。
NOTE. Pocket should contain product smoothly.

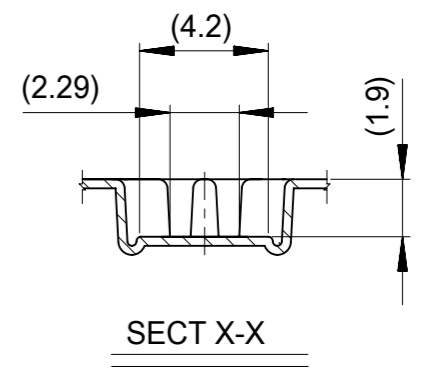
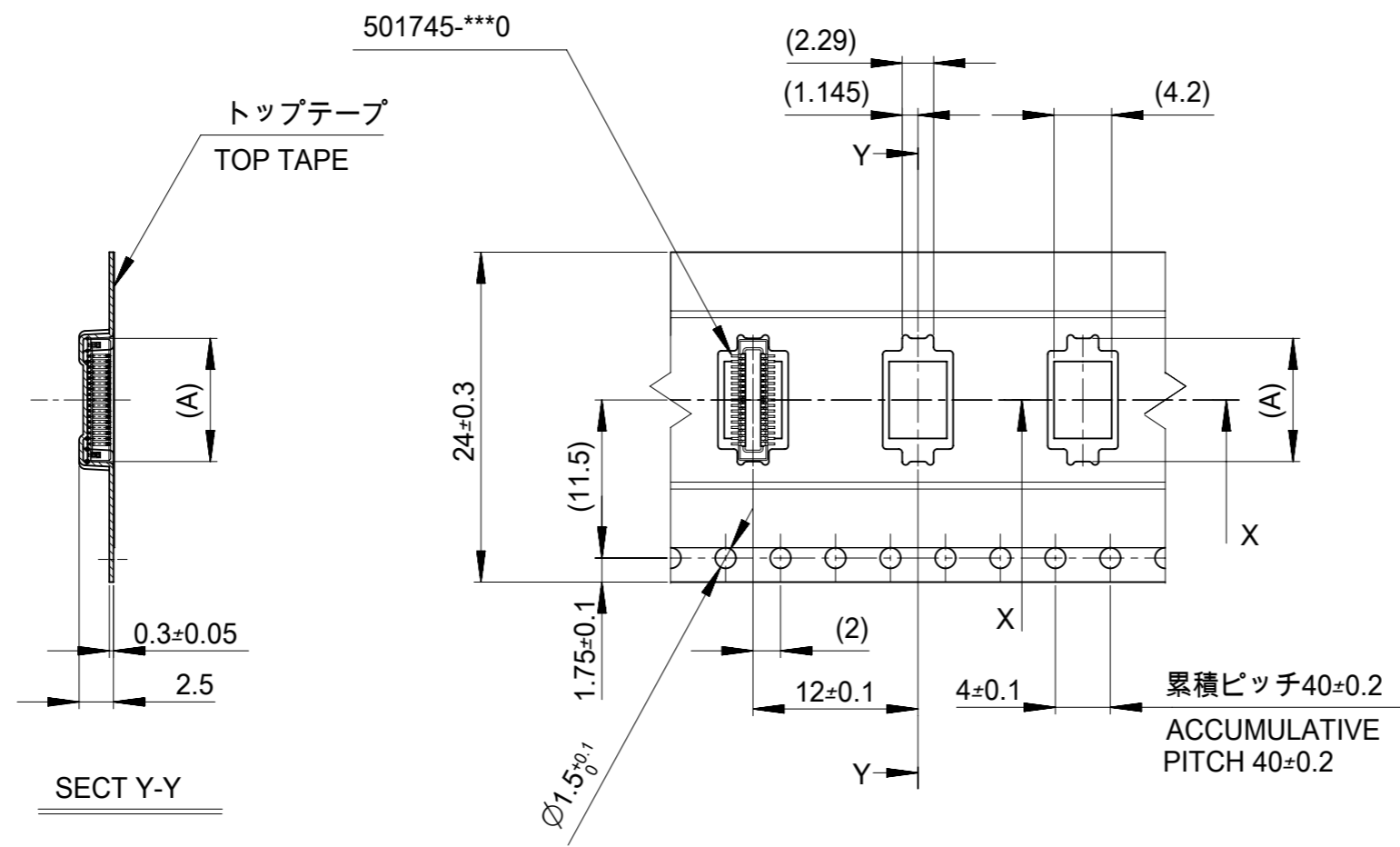
24	29.4	25.4	4.56	501745-9901	12
キャリアテープ幅 CARRIER TAPE WIDTH	C	B	(A)	オーダー番号 ORDER NO.	極数 CKT.

CONNECTOR SERIES No. 501745-***0

THIS DRAWING CONTAINS INFORMATION THAT IS PROPRIETARY TO MOLEX ELECTRONIC TECHNOLOGIES, LLC AND SHOULD NOT BE USED WITHOUT WRITTEN PERMISSION		CURRENT REV DESC:		molex	
DIMENSION UNITS	SCALE	EC NO: 638555			
mm	NTS	DRWN: BKBAE 2020/05/15		PRODUCT CUSTOMER DRAWING	
GENERAL TOLERANCES (UNLESS SPECIFIED)		CHK'D: SHCHU 2020/05/29		DOCUMENT NUMBER	
4 PLACES ±		APPR: SHCHU 2020/06/01		SD-501745-002	
3 PLACES ±		INITIAL REVISION:		DOC TYPE	
2 PLACES ±		DRWN: K.SAITO 2007/03/01		PSD	
1 PLACE ±		APPR: N.UKITA 2007/03/01		DOC PART	
0 PLACES ±		ANGULAR TOL ± 3.0°		001	
DRAFT WHERE APPLICABLE MUST REMAIN WITHIN DIMENSIONS		THIRD ANGLE PROJECTION		REVISION	
		DRAWING		F	
		SERIES		SHEET NUMBER	
		A3-SIZE		2 OF 4	
		501745		MATERIAL NUMBER	
		SEE CHART		CUSTOMER	
		GENERAL MARKET			

GENERAL TOLERANCES (UNLESS SPECIFIED)		
10 ^{UNDER}		±0.2
10 ^{OVER}	30 ^{UNDER}	±0.25
30 ^{OVER}		±0.3

引き出し方向
PULL OUT
DIRECTION



24	29.4	25.4	14.16	501745-0601	60
			12.96	501745-0541	54
			12.16	501745-0501	50
			10.16	501745-0401	40
			8.16	501745-0301	30
キャリアテープ幅 CARRIER TAPE WIDTH			C	B	(A)
			オーダー番号 ORDER NO.	極数 CKT.	

CONNECTOR SERIES No. 501745-***0

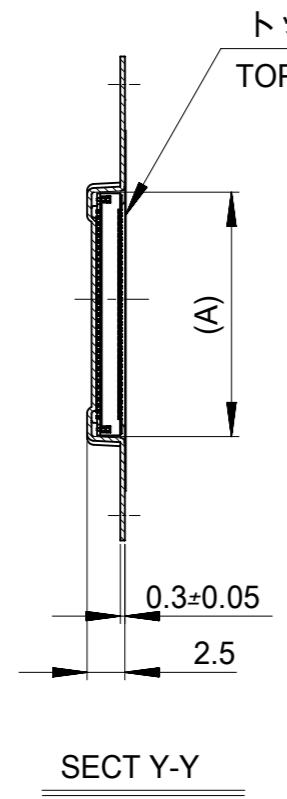
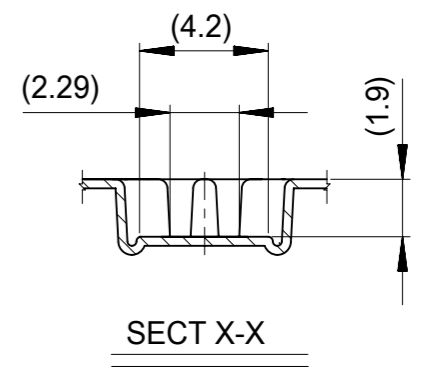
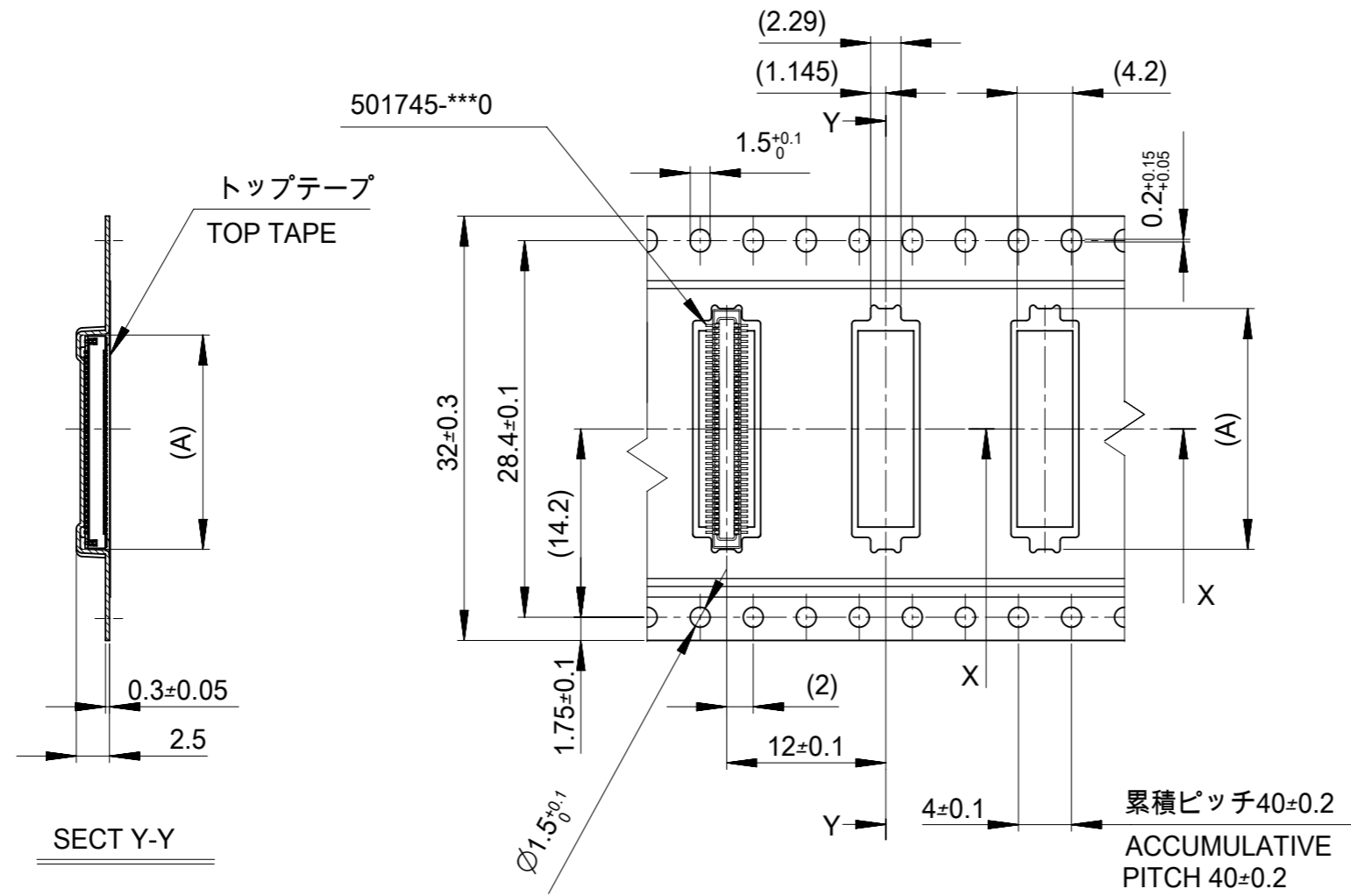
THIS DRAWING CONTAINS INFORMATION THAT IS PROPRIETARY TO MOLEX ELECTRONIC TECHNOLOGIES, LLC AND SHOULD NOT BE USED WITHOUT WRITTEN PERMISSION

DIMENSION UNITS	SCALE	CURRENT REV DESC:	molex		
mm	NTS				
GENERAL TOLERANCES (UNLESS SPECIFIED)			0.4 B-TO-B CONN. H = 2.0 / 2.3 J-BEND PLUG		
4 PLACES ±			PRODUCT CUSTOMER DRAWING		
3 PLACES ±			DOCUMENT NUMBER		
2 PLACES ±			SD-501745-002		
1 PLACE ±			DOC TYPE		
0 PLACES ±			PSD		
ANGULAR TOL ± 3.0°			DOC PART		
DRAFT WHERE APPLICABLE MUST REMAIN WITHIN DIMENSIONS			001		
THIRD ANGLE PROJECTION			REVISION		
DRAWING			F		
SERIES			SHEET NUMBER		
A3-SIZE			3 OF 4		
501745			MATERIAL NUMBER		
SEE CHART			CUSTOMER		
GENERAL MARKET					

GENERAL TOLERANCES (UNLESS SPECIFIED)

10 ^{UNDER}	±0.2
10 ^{OVER} 30 ^{UNDER}	±0.25
30 ^{OVER}	±0.3

引き出し方向
PULL OUT
DIRECTION



32	37.4	33.4	18.16	501745-0801	80
			16.16	501745-0701	70
キャリアテープ幅 CARRIER TAPE WIDTH		C	B	(A)	極数 CKT.
CONNECTOR SERIES No.					501745-***0
オーダー番号 ORDER NO.					

THIS DRAWING CONTAINS INFORMATION THAT IS PROPRIETARY TO MOLEX ELECTRONIC TECHNOLOGIES, LLC AND SHOULD NOT BE USED WITHOUT WRITTEN PERMISSION

DIMENSION UNITS	SCALE	CURRENT REV DESC:			
mm	NTS				
GENERAL TOLERANCES (UNLESS SPECIFIED)		molex			
		0.4 B-TO-B CONN. H = 2.0 / 2.3 J-BEND PLUG			
		PRODUCT CUSTOMER DRAWING			
		DOCUMENT NUMBER	DOC TYPE	DOC PART	REVISION
		SD-501745-002	PSD	001	F
		MATERIAL NUMBER	CUSTOMER	SHEET NUMBER	
		SEE CHART	GENERAL MARKET	4 OF 4	

GENERAL TOLERANCES (UNLESS SPECIFIED)		
10 ^{UNDER}		±0.2
10 ^{OVER}	30 ^{UNDER}	±0.25
30 ^{OVER}		±0.3