



motion-activated
SOLAR SECURITY LIGHT
Our Brightest Solar Motion Light! Part #s 44640 & 44641

ASSEMBLY & OPERATING INSTRUCTIONS



IMPORTANT: Read all instructions carefully before use

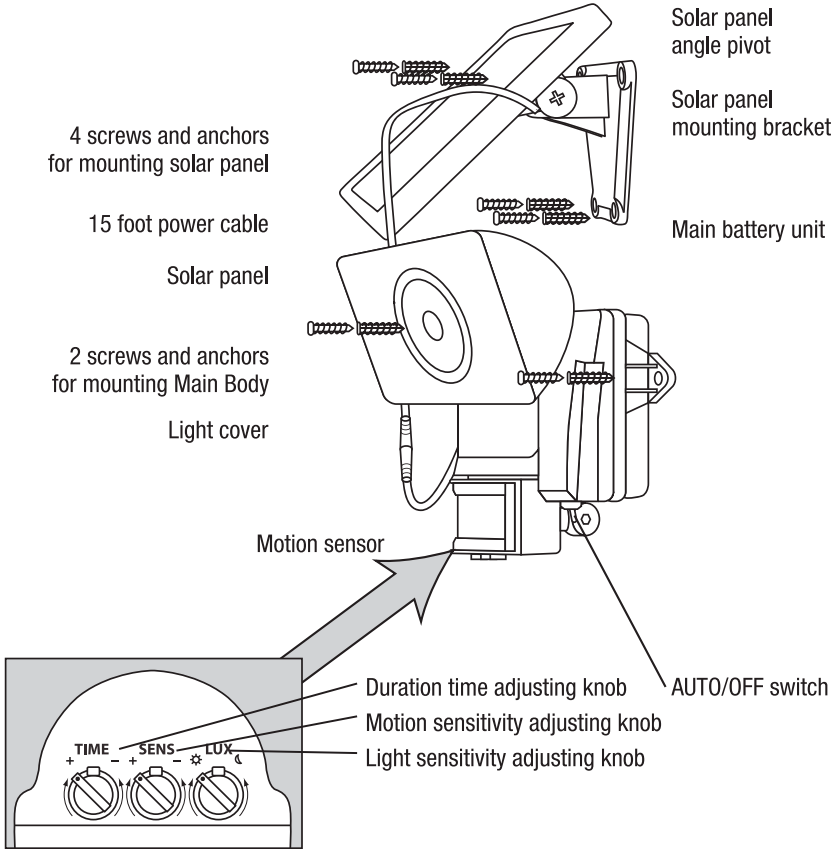
ABOUT YOUR SOLAR SECURITY LIGHT

During the day, the solar panel included with this MAXSA Solar Security Light converts sunlight into electricity, recharging the pre-installed battery. Using this stored energy, the Surface Mount LED lights turn on automatically at night when motion is detected. This MAXSA Solar Security Light has an adjustable TIME dial that allows light duration of up to 60 seconds. When the battery is fully charged, this Solar Security Light can provide up to 200 thirty second cycles when the TIME dial is set to the middle (30s) position.

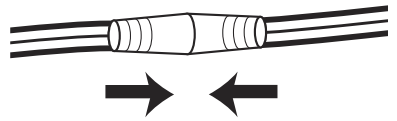
The unit includes a rechargeable 3.7V/4.4Ah Lithium ion battery pack that will need to be replaced when the charging ability is decreased.

INCLUDED PARTS

Carefully remove and identify all the parts from their protective packaging and lay them out in front of you.



Once you have identified all parts, connect the solar panel to your Solar Security Light by plugging the 15 foot cord into the cord attached to the front of the Solar Security Light. Turn and twist the cords while pressing firmly together until they are attached tightly.



Adjustment dials are located on the underside of the motion sensor. Move the motion sensor to allow for easier access to the controls. Move sensor back into position upon completion.

CHOOSING A LOCATION FOR YOUR SOLAR SECURITY LIGHT

This Solar Security Light comes complete with a solar panel attached to a 15 foot power cord. For optimum sun exposure and longer light output, place the solar panel in a position that receives at least 6-8 hours of direct sunlight per day. Placing the solar panel in a shaded location will not allow the battery to charge fully, reducing the number of hours the light will operate per evening. Ensure that the security light is not placed near night time light sources such as porch lighting or street lighting.

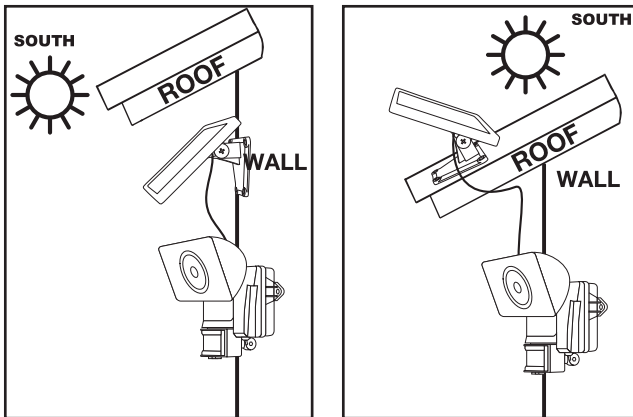
This Solar Security Light is ideal for areas where electricity is not available — including driveways, carports, garages and entrance doors – for safety and security around your home.

When deciding where to mount the light, keep in mind that the motion sensor has a field of vision of 180° (horizontal) at a distance of 40 feet when the surrounding temperature is 75F. The outside temperature will impact the detection distance.

HOW TO INSTALL YOUR SOLAR SECURITY LIGHT

Mount the Security Light onto a solid surface, using the two (2) wood/sheet metal screws supplied. You may mount the Security Light either vertically or horizontally.

Use the four wood/sheet metal screws supplied to mount the solar panel onto a solid surface. You can adjust the angle of the solar panel by gently rotating the solar panel to a different locking position. Remember to face the panel south for direct sunlight exposure.



TOOLS REQUIRED FOR INSTALL

If mounting on a wood or softer surface, you only need a Phillips-head screwdriver! If mounting on concrete, brick, or a harder surface, a drill should be used to create the mounting holes first

BEFORE FIRST USE OF YOUR SOLAR SECURITY LIGHT

Ensure the power switch on the main body of your Security Light is in the OFF position and the solar panel is connected to the light unit. In this position, the solar panel will charge the battery without activating the unit.

Leave the switch in the OFF position for 3 days with the solar panel placed in direct sunlight. This will ensure that the battery in your Solar Security Light has a full charge prior to motion sensor adjustment and normal operation.

OPERATING YOUR SOLAR SECURITY LIGHT

After the initial 3 day charge of your Solar Security Light, move the switch on the main body to the **AUTO** position. The light should come on immediately, regardless of lighting or motion conditions. This is a test activation that happens every time the light is switched to AUTO. It should last for approximately 30 seconds. After the test activation, leave the switch on AUTO and your Solar Security Light is now ready for use.

Underneath the motion sensor, there are 3 adjustment dials: **TIME/SENS/LUX**. The light has been factory preset as follows:

TIME - Set at 30 seconds.

SENS - Set at a 15 - 20 foot range (when the surrounding temperature is 75 F).

LUX - Set for your Security Light to activate at dusk when motion is detected.

If the above settings are not suitable for your application, then these may be adjusted using the steps below.

TIME PERIOD ADJUSTMENT (TIME)

The time period control dial sets the duration of the light upon each activation that the Solar Security Light will remain illuminated after the last detected motion. The time period has an adjustable range of 10 seconds to 1 minute.

To decrease the time period, move the dial toward the (-) symbol.

To increase the time period, move the dial toward the (+) symbol.

To test the Time Period, trigger the motion sensor and measure the length of time the light remains activated. Adjust the **TIME** control until the desired illumination duration is reached.

A shorter **TIME** setting will conserve battery life. For best results, use the shortest **TIME** setting for your location as possible.

MOTION SENSOR ADJUSTMENT (SENS)

The motion sensor on this Solar Security Light is temperature-sensitive. The cooler the temperature, the more sensitive the motion sensor will become. Use the **SENS** dial to adjust the sensitivity of the motion sensor to compensate for environmental temperature changes. The motion sensor is most sensitive when the **SENS** dial is turned fully clockwise (+).

To decrease sensitivity, move the dial toward the (-) symbol.

To increase sensitivity, move the dial toward the (+) symbol.

To test the motion sensitivity, aim the sensor head toward the desired area. Set the **TIME** dial to minimum (-) position and the **LUX** dial to the bright setting (☀).

Walk slowly around the area of detection, changing your walking pace until the light comes on. If light does not come on, you may need to adjust the angle of the sensor unit. Make adjustments as needed until the desired level of sensitivity is reached. Re-adjust the **TIME** and **LUX** dials when complete.

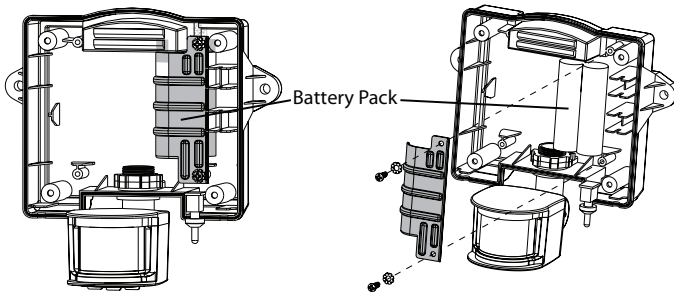
LIGHT LEVEL ADJUSTMENT (LUX)

The **LUX** dial controls the natural light level that triggers the Solar Security Light and prevents the light from operating during daylight hours.

Your Solar Security Light comes preset for activation at dusk. If you want your security light to activate when it is still light out, move the dial towards the sun (☀). If you only want your security light to work when it gets dark, move the dial towards the moon (☾).

REPLACING THE BATTERY

When the charging ability of the battery pack decreases, you can replace it with a new 3.7V/4.4 Ah Lithium-Ion battery pack. Follow the steps below when replacing the battery pack.



1. First remove the main unit from its mounted surface and unplug the solar panel.
2. Move the power switch on the main body to the OFF position.
3. Remove the four (4) screws on the back of the main unit that hold the halves together.
4. Once the unit is open, carefully remove the bracket holding the battery pack in place by unscrewing the two (2) screws as indicated in the diagram above.
5. Carefully unplug the battery pack from the unit. Be sure to pull by the base of the plug. Do not pull the plug by the wires as this may damage the unit.
6. Carefully remove the battery pack and replace with a new 3.7V / 4.4Ah Lithium Ion battery pack obtained from MAXSA Innovations. The plug will only fit in one orientation. Do not force the plug into place as this may damage the unit. If it does not fit, rotate the plug until it matches with the receiving end on the circuit board.
7. Replace the bracket to hold the battery pack in place by using the two (2) screws removed in step 4, taking care not to damage any cables.
8. Re-assemble the main unit by screwing the two (2) halves of the main body together securely.
9. Once assembled, mount your Solar Security Light to its original surface location.
10. Repeat the steps in the "Before first time use of your Solar Security Light" section on page 4 to ensure your new battery is fully charged.

NOTE: Do not dispose of battery pack in general household trash or into a fire as the battery pack may explode. Consult your local regulations for correct disposal of battery pack. The battery pack may also be returned to MAXSA Innovations at 8412 Cathedral Forest Dr., Fairfax Station, VA 22039. Do not take apart the battery pack since it contains corrosive chemicals.

MAINTENANCE TIPS

The LED lights in your Solar Security Light will last up to 30,000 hours and should never need replacement.

To keep your Solar Security Light looking new, keep the lens free of dust and deposits by wiping occasionally with a dry cloth or with warm soapy water.

It is important that the solar panel is kept free of dirt and debris at all times. A dirty solar panel will not allow the batteries to be fully charged. This will shorten the life of the battery and may cause the light to malfunction.

STORAGE

If you wish to store your light indoors for more than two or three days, turn the power switch to the OFF position to prevent damage to the batteries. Battery capacity may be reduced during prolonged storage. For optimal performance, we recommend that you do not store your Solar Security Light for prolonged periods of time.

EXTENSION CORDS

A 15-foot extension cord is available for this product for \$14.95. This extension cord allows the solar panel to be placed higher or further away from the security light to ensure maximum direct sunlight exposure.

For more information, please call 703-495-0661 or contact us at info@maxsainnovations.com.

TROUBLESHOOTING

PROBLEM	POSSIBLE SOLUTIONS
Light will not switch on when there is movement in the detection area.	<ul style="list-style-type: none"> • Ensure that the power switch on the main body has been turned to the AUTO position. • Ensure that the motion sensor has been positioned to face oncoming movement. • Ensure that the battery has been fully charged in direct sunlight for 3 sunny days. Refer to the “Before First Use of Your Solar Security Light” section on page 4. • Check to see that the solar panel is facing south so that it receives direct sunlight for most of the day, enabling the battery to fully charge. • Check to see that the LUX control has not been set too far towards (☺). Setting the LUX control too far towards (☺) will cause the Solar Security Light to turn on only in complete darkness. • Check to see that the motion sensor is not near night time light sources such as street lights.
Light switches on during the day.	<ul style="list-style-type: none"> • The LUX control may be set too far towards the (☼) position. • Reposition the motion sensor.
Light switches on for no apparent reason.	<ul style="list-style-type: none"> • The SENS control may be set too far towards the (+) position. • Moving trees, traffic, pets or birds may be getting in the area of detection. This may be unavoidable, however the sensor could be redirected to a height where this is less likely to occur. • If there are reflective objects in the detection area such as windows, water, or white walls, you may need to redirect or possibly reposition the motion sensor. • Test the motion sensor by covering it completely with cardboard and waiting several minutes to make sure it does not detect motion. If the light still switches on, please contact MAXSA for further assistance.
Light quickly flashes on and off.	<ul style="list-style-type: none"> • Battery charge may be low. Turn the power switch to the OFF position and charge the battery for three (3) sunny days with the solar panel placed in direct sunlight. • Move the LUX control more to the (☼) position.
Light is not as bright as normal.	<ul style="list-style-type: none"> • Battery charge may be low. Turn the power switch to the OFF position and charge the battery for three (3) sunny days with the solar panel placed in direct sunlight.

ONE YEAR LIMITED WARRANTY

1 YEAR LIMITED WARRANTY: MAXSA Innovations, LLC warrants to the original consumer/purchaser that this product shall be free of defects in material and workmanship under normal use and circumstances for a period of one (1) year from the date of original purchase for use. When the original consumer/purchaser returns the product pre-paid (consumer pays return shipping) to MAXSA Innovations, LLC, 8412 Cathedral Forest Dr; Fairfax Station, VA 22039; USA within the warranty period, and if the product is defective, MAXSA Innovations, LLC will at its option repair or replace such. This warranty shall constitute the sole liability of MAXSA Innovations, LLC concerning the product. MAXSA Innovations, LLC expressly disclaims all other warranties INCLUDING, WITHOUT LIMITATION, THE WARRANTIES OF MERCHANT ABILITY AND FITNESS FOR A PARTICULAR PURPOSE. NO PERSON, FIRM, OR CORPORATION IS AUTHORIZED TO ASSUME FOR MAXSA Innovations, LLC ANY OTHER LIABILITY IN CONNECTION WITH THE SALE AND USE OF THE PRODUCT. MAXSA Innovations, LLC and agents and distributors will bear no liability whatsoever for incidental or consequential damages or charges of any kind. Some states do not allow the reclusion or limitation of incidental or consequential damages, so the above disclaimer regarding incidental or consequential damages may not apply to you. This warranty is void if the product has been damaged or tampered with or if the product or any such parts have been opened. In all cases of damage during shipment, a claim must be filed with the shipping carrier and not with MAXSA Innovations, LLC. This warranty gives you specific legal rights; you may also have other rights which vary from state to state.

Please save these instructions for future reference.

SPECIFICATIONS

Power Source: Solar

Lumens: 878.6

Light Color: 6500K (Cool White or Daylight color)

Function: Motion-Activated

Power Storage: 3.7V/4.4Ah Lithium-ion battery pack

Light Duration: 10 - 60 seconds after motion stops

Maximum Runtime: up to 100 minutes on a full charge

Detection Angle: 180°

Maximum Detection Distance: 40 feet (12.2 meters)

Weatherproof Rating: IP44



MAXSA Innovations

8412 Cathedral Forest Drive

Fairfax Station, VA 22039

Tel: 703-495-0661

www.maxsainnovations.com

info@maxsainnovations.com

MADE IN CHINA

©2015 MAXSA Innovations, LLC V15-1



motion-activated

SOLAR SECURITY LIGHT

LUZ SOLAR DE SEGURIDAD ACTIVADO POR EL MOVIMIENTO

Modelo #s: 44641 & 44642

MAXSA BRIGHT

ESPAÑOL

INSTRUCCIONES GENERALES DE INSTALACIÓN Y FUNCIONAMIENTO PARA EL MODELOS 44640 Y 44641



IMPORTANTE: LEA TODAS LAS INSTRUCCIONES CUIDADOSAMENTE ANTES DE USAR.

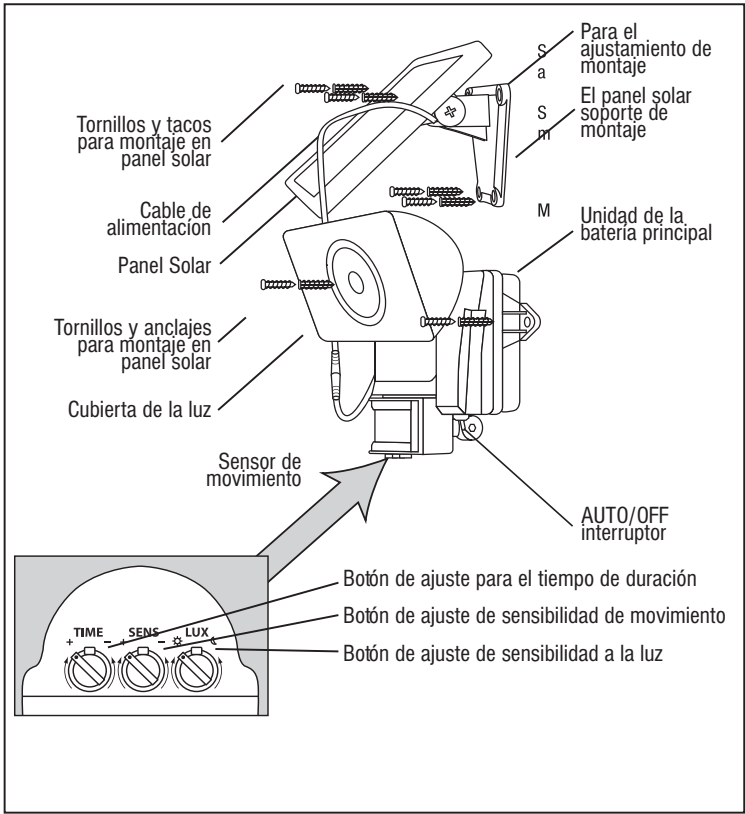
ACERCA DE SU LUZ SOLAR DE SEGURIDAD

Durante el día, el panel solar incluido en esta unidad de seguridad recarga la batería. Con esta energía guardada, las luces LED se encienden automáticamente por la noche cuando detectan movimiento. Esta luz solar de seguridad tiene un marcador de tiempo ajustable que permite la duración de luz. Cuando la batería está completamente cargada, la luz solar de seguridad se encenderá durante un máximo de 100 minutos, lo que equivale a 100 ciclos de un minuto cuando el botón giratorio de tiempo (TIME) está ajustado en la posición máxima (+).

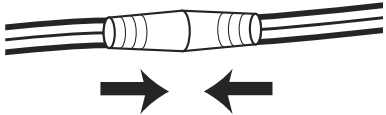
La batería incluida tendrá que ser sustituido cuando se disminuye la capacidad de carga.

Retire con cuidado e identifique todas las piezas del envase protectora y ponlas en frente de usted.

PIEZAS INCLUIDAS:



Una vez que haya identificado todas las piezas, conecte el panel solar a la luz solar de seguridad a través del cable de 15 pies al cable localizado en la parte delantera de la luz solar de seguridad. Gire las cuerdas mientras presione con fuerza hasta que se unen fuertemente.



Botones giratorios de ajuste se encuentran en la parte inferior del sensor de movimiento. Mueva el sensor de movimiento para permitir un acceso más fácil a los controles. Coloque el sensor de movimiento en su posición original al terminar.

ELIGIENDO UN LUGAR PARA LA LUZ SOLAR DE SEGURIDAD

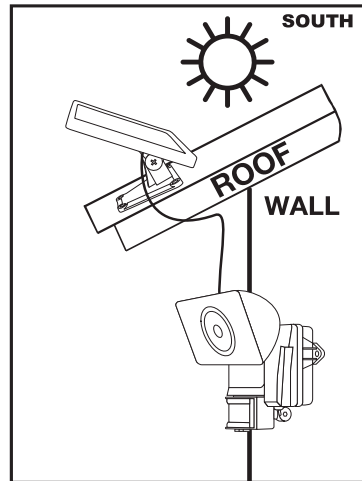
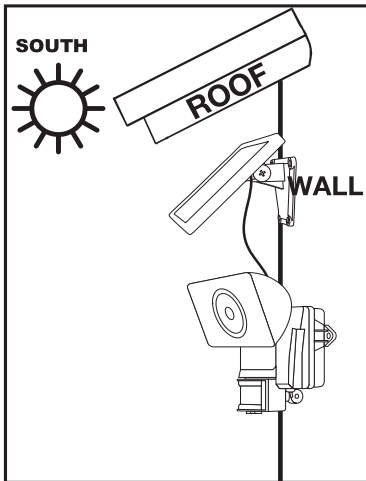
Esta luz solar de seguridad viene con un panel solar conectado a un cable de 15 pies. Para una óptima exposición solar y una máxima iluminación de luz, coloque el panel solar en una posición que recibe por lo menos 6-8 horas de luz solar al día. Colocación del panel solar en un lugar con sombra o incluso detrás de una ventana no permitirá que la batería se cargue completamente, reduciendo el número de horas que la luz funcionará por la noche. Asegúrese de que el luminaria solar no se coloca cerca de fuentes de luz por la noche, como una iluminación pórtico o alumbrado público de la calle.

Esta luz solar de seguridad es ideal para la iluminación de áreas donde la electricidad no está disponible - incluyendo porches, cocheras, caminos exteriores, garajes y zonas de entrada - para la seguridad alrededor de su casa.

Al decidir dónde montar la luz, tener en cuenta que el sensor de movimiento tiene un campo de visión de 180 ° (horizontal) a una distancia de hasta 12.2 metros (40 pies) cuando la temperatura ambiental es de 24°C (75°F). La temperatura exterior tendrá un impacto en la distancia de detección.

CÓMO INSTALAR SU LUZ SOLAR DE SEGURIDAD

1. Monte la luz de seguridad sobre una superficie sólida, usando los dos (2) tornillos de chapa metálica/para madera incluidos. Puede montar la luz de seguridad, ya sea vertical o horizontalmente.
2. Use los cuatro (4) tornillos de chapa metálica/para madera incluidos para montar el panel solar sobre una superficie sólida. Se puede ajustar el ángulo del panel solar girando suavemente el panel solar a una posición diferente. Recuerde que debe posicionar el panel al sur para la exposición directa al sol.



HERRAMIENTAS NECESARIAS PARA LA INSTALACIÓN

Instalación sencilla con sólo un destornillador Phillips!

Taladro eléctrico opcional.

ANTES DE USAR LA UNIDAD DE SEGURIDAD PRIMERO

1. Asegúrese de que el interruptor en el cuerpo principal de la luz de seguridad está en la posición OFF. En esta posición, el panel solar cargará la batería sin que se active la unidad.
2. Deje el interruptor en la posición OFF durante 3 días con el panel solar colocado directamente a la luz solar. Esto asegurará que la batería de su luz solar de seguridad tenga una carga completa antes de ajustar el sensor de movimiento y el funcionamiento normal.

FUNCIONAMIENTO DE SU LUZ SOLAR DE SEGURIDAD

Después de la carga inicial de 3 días de su luz solar de seguridad, mueva el interruptor en el cuerpo principal a la posición AUTO. Al hacer esto, la luz debe activar de inmediatamente. No importan las condiciones de iluminación o movimiento. Esta es una activación de prueba para demostrar que la carga fluye de la batería. La luz debe durar unos 30 segundos. Después de la prueba, la luz funcionará en base a los controles de ajustes mencionado. Su luz solar de seguridad está listo para su uso.

Por debajo del sensor de movimiento, hay 3 botones giratorios de ajuste: TIME / SENS / LUX. La luz ha sido ajustado en la fábrica de la siguiente manera:

TIME Establecido a 30 segundos.

SENS Fijado en un 10 a 15 metros de alcance (cuando la temperatura ambiental es de 75 F).

LUX Ajustado para que su luz de seguridad se activará al atardecer, cuando se detecta movimiento.

Si las opciones anteriores no son adecuados para su aplicación, éstos se pueden ajustar mediante los pasos siguientes.

AJUSTE DEL PERIODO DE TIEMPO (TIME)

El botón giratorio del tiempo establece la duración de la luz con cada activación, la luz solar de seguridad permanecerá iluminada después del último movimiento detectado. El período de tiempo tiene un rango ajustable de 10 segundos hasta un minuto.

Para reducir el período de tiempo, mueva el botón giratorio hacia el símbolo (-).

Para aumentar el período de tiempo, mueva el botón giratorio hacia el símbolo (+).

Pruebe el período de tiempo al activar el sensor de movimiento y mide el período de tiempo que la luz permanece encendida. Ajuste el control del tiempo (TIME) hasta que alcance la duración de iluminación deseado.

Un ajuste de un tiempo mas corto conservará la vida de la pila. Para obtener los mejores resultados, utilice la menor configuración de tiempo posible para su lugar

AJUSTE DEL SENSOR DE MOVIMIENTO (SENS)

El sensor de movimiento en esta luz solar de seguridad es sensible a la temperatura. Si las temperaturas son más frías, más sensible será el sensor de movimiento. Utilice el botón giratorio SENS para ajustar la sensibilidad del sensor de movimiento para compensar los cambios de temperatura del medio ambiente. El sensor de movimiento es más sensible cuando el botón giratorio de SENS está completamente hacia la derecha (+).

Para disminuir la sensibilidad, mueva el botón giratorio hacia el símbolo (-).

Para aumentar la sensibilidad, mueva el botón giratorio hacia el símbolo (+).

Para probar la sensibilidad de movimiento, apunte de la cabeza del sensor hacia el área deseada. Ajuste el botón giratorio de tiempo (TIME) a la posición mínima (-) y el botón giratorio LUX al ajuste brillante (☀).

Camine lentamente alrededor de la zona de detección, cambiando su ritmo de marcha hasta que la luz se encienda. Si la luz no se enciende, es posible que tenga que ajustar el ángulo de la unidad del sensor. Realice los ajustes según sea necesario hasta que se alcance el nivel deseado de sensibilidad. Reajuste el tiempo (TIME) y marca SENS cuando haya terminado.

AJUSTE DEL NIVEL DE LUZ

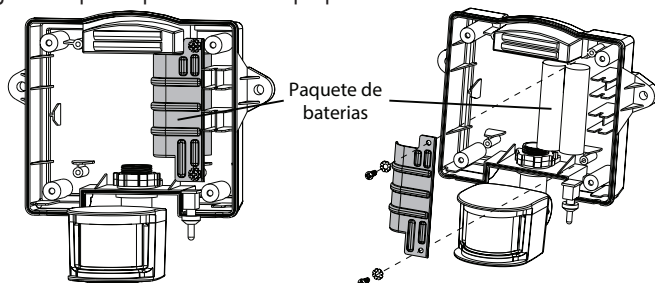
El botón giratorio LUX controla el nivel de luz natural que activa la luz solar de seguridad y evita que la luz deje de funcionar durante el día.

Su luz solar de seguridad viene programado para la activación en la oscuridad.

Para ajustar la activación en un entorno más brillante, mueva el botón giratorio hacia brillante (☀). Para ajustar la activación en un ambiente oscuro, mueva el botón giratorio hacia la oscuridad (☾).

SUSTITUCIÓN DE LA PILA RECARGABLE

Cuando la capacidad de carga de la paquete de baterías disminuye, se puede reemplazar la paquete de baterías con un nuevo paquete de baterías de litio iones 3.7V 4.4Ah . Siga estos pasos para sustituir la paquete de baterías.



1. Primero saca la unidad principal de su superficie montada y desenchufe el panel solar.
2. Mueva el interruptor de energía en el cuerpo principal a la posición OFF.
3. Quite los cuatro (4) tornillos de la parte posterior de la unidad principal que une las dos mitades.

4. Una vez que la unidad está abierta, retire con cuidado el soporte que sostiene las pilas en lugar aflojando los dos (2) tornillos como se indica en el diagrama anterior .
5. Desconecte con cuidado las pilas de la unidad. Asegúrese de tirar por la base del enchufe. No tire el enchufe por los cables ya que esto puede dañar la unidad.
6. Con cuidado, retire las pilas y vuelva a colocar con nuevas pilas 4.4 p de 3,7 V / Ah Lithium Ion obtenida de MAXSA. El enchufe sólo encajará en una orientación. No force el conector en su lugar ya que esto puede dañar la unidad. Si no encaja, gira el tapón hasta que coincida con el extremo receptor de la placa de circuito.
7. Reemplace el soporte para mantener las pilas en su lugar mediante el uso de los dos (2) tornillos que retiró en el paso 4, teniendo cuidado de no dañar los cables.Vuelva a montar la unidad principal atornillando los dos (2) mitades del cuerpo principal.
8. Una vez montado, monte su luz solar de seguridad a su superficie original
9. Repita los pasos de la “Antes de usar la unidad de seguridad primero” en la página 12 para asegurar que su nueva batería está completamente cargada.

NOTA: No deseche la batería en la basura doméstica general o al fuego ya que la batería puede explotar. Consulte la normativa local para la eliminación correcta de la batería. La batería también puede ser devuelta a MAXSA Innovations en 8412 Cathedral Forest Dr., Fairfax Station, VA 22039. No abra la batería, ya que contienen sustancias químicas corrosivas.

CONSEJOS DE MANTENIMIENTO

Las luces LED en la luz solar de la seguridad tendrán una duración de hasta 30.000 horas y nunca deberían necesitar ser reemplazadas

Para mantener la luz solar de seguridad en condiciones, mantener la lente y el panel solar libre de polvo y depósitos limpiando de vez en cuando con un trapo seco o con agua jabonosa templad

Es importante que el panel solar se mantenga libre de polvo y suciedad en todo momento. Un panel solar sucio no permitirá que la batería se cargue completamente. Esto acortará la vida de la batería y puede causar un funcionamiento defectuoso de la luz.

ALMACENAMIENTO

Si desea almacenar su luz durante más de dos o tres días, gire el interruptor de encendido a la posición OFF para evitar daño a la batería. La capacidad de la paquete de baterías puede ser reducida o dañada durante un almacenamiento prolongado.

CABLES DE EXTENSIÓN

Un cable de extensión de 15 pies está disponible para este producto por \$14.95. Este cable de extensión permite colocar el panel solar más alto o más lejos de la luz de seguridad para garantizar la máxima exposición solar. Para obtener más información, por favor llame al 703-495-0661. Modelo EXT-Black

PROBLEMA FRECUENTES

PROBLEMAS	SOLUCIONES POSIBLES
<p>La luz no se enciende cuando hay movimiento en el área de detección.</p>	<ul style="list-style-type: none"> • Asegúrese de que el interruptor de encendido en el cuerpo principal esté en la posición AUTO. • Asegurese de que el sensor de movimiento se ha posicionado para enfrentar el movimiento que se ha aproxima • Asegúrese de que la batería se ha cargado completamente durante tres días directamente a la luz solar. Consulte la sección “Antes de usar la unidad de seguridad primero” en la página 12. • Compruebe que el panel solar está orientada al sur para que reciba luz solar directa durante la mayor parte del día, lo que permite que la batería se cargue completamente. • Compruebe que el control LUX no se ha ajustado demasiado hacia el (☺). Ajustando el control LUX demasiado hacia oscuro (☹) hará que la luz solar de seguridad se encenderá sólo en la oscuridad completa. • Compruebe que el sensor de movimiento no está cerca de fuentes de luz nocturna como luces de la calle.
<p>La luz se enciende durante el día.</p>	<ul style="list-style-type: none"> • El control LUX podría estar demasiado lejos hacia la posición luna • Vuelva a colocar el sensor de movimiento
<p>La luz se enciende por ninguna razón aparente.</p>	<ul style="list-style-type: none"> • El control de SENS podría estar demasiado lejos hacia la posición (+) • El movimiento de los árboles, tráfico, mascotas o pájaros podrían estar en el área de detección. Esto puede ser inevitable, sin embargo el sensor podría ser dirigido a una altura en la que esto es menos probable que ocurra. • Si hay objetos brillantes en el área de detección, tales como ventanas, agua o paredes blancas, puede que tenga que reajustar o posiblemente cambiar la posición del sensor de movimiento. • Pruebe el sensor de movimiento cubriéndolo completamente con cartón y espere varios minutos para asegurarse de que no detecta movimiento. Si la luz todavía se enciende, póngase en contacto con MAXSA para obtener más ayuda.
<p>La luz se enciende y se apaga rápidamente.</p>	<ul style="list-style-type: none"> • Carga de la batería puede ser baja. Gire el interruptor a la posición OFF y cargue la batería durante tres (3) días de sol con el panel solar colocado directamente a la luz solar.. • Mueve el botón giratorio LUX hacia la posición oscura (☹).
<p>La luz no es tan brillante como de costumbre.</p>	<ul style="list-style-type: none"> • Carga de la batería puede ser baja. Gire el interruptor a la posición OFF y cargue la batería durante tres (3) días de sol con el panel solar colocado directamente a la luz solar.

UN AÑO DE GARANTÍA LIMITADA

Esta luz de seguridad activada por el movimiento solar se cubre defectos de materiales y / o mano de obra durante un periodo de 1 año desde la fecha de la compra original. La obligación del fabricante, bajo esta garantía, se limita a reparar y sustituir piezas defectuosas cuando la unidad se devuelva a las Innovaciones MAXSA, la unidad se devuelve a las Innovaciones MAXSA, 8412 Cathedra Forest Dr, Fairfax Station, VA 22039, flete pre-pagado durante el período de garantía. Para obtener la reparación por garantía, el recibo de compra debe ser devuelto con el producto.

Esta garantía queda anulada en cualquier unidad que ha sido alterado, dañado por accidente, o se ha dañado por la operación incorrecta.

Esta garantía es adicional a las garantías derivadas de la legislación estatal o federal.

HECHO EN CHINA



MAXSA Innovations, LLC
8412 Cathedral Forest Drive
Fairfax Station, VA 22039
Tel: 703-495-0661

www.maxsainnovations.com
info@maxsainnovations.com