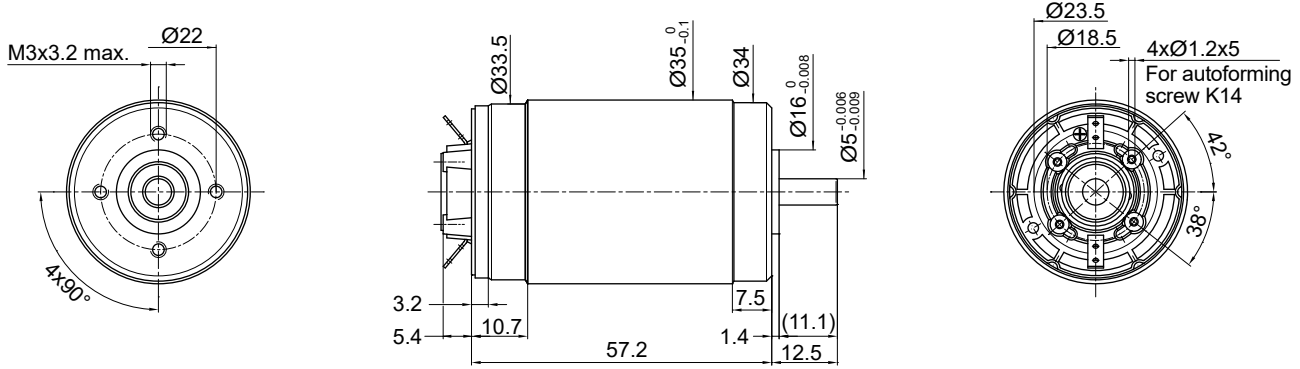


35NT2R32

Ø 35 mm • Graphite-Copper commutation • 56 mNm



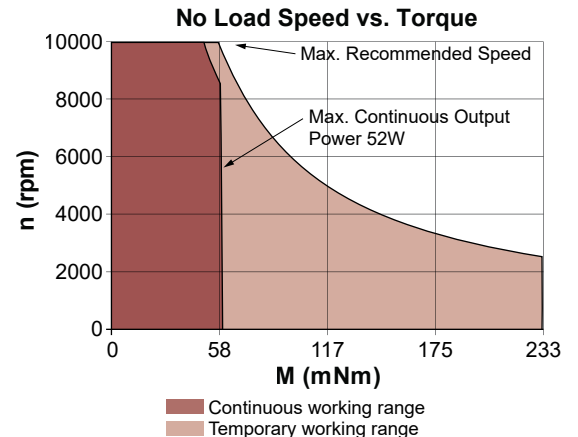
Dimensions in mm.

Electrical Data	Symbol	35NT2R32 **** .1			Unit
		228P	228E	416SP	
1 Nominal Voltage	V	9	15	24	Volt
2 No-Load Speed	$n_0$	5,020	4,315	4,365	rpm
3 No-Load Current	$I_0$	180.0	90.0	50.0	mA
4 Terminal Resistance	R	1.0	3.6	8.3	Ω
5 Output Power	$P_{2max}$	33.0	33.0	35.0	W
6 Stall Torque	mNm	151 (21.39)	137 (19.41)	150 (21.25)	mNm (oz-in)
7 Efficiency	$h_{max}$	74	73	75	%
8 Max Continuous Speed	$n_{e max}$	9,000	9,000	9,000	rpm
9 Max Continuous Torque	$M_{e max}$	52 (7.65)	54 (7.65)	56 (7.94)	mNm (oz-in)
10 Max Continuous Current	$I_{e max}$	3.30	1.75	1.18	A
11 Back-EMF Constant	$k_E$	1.76	3.40	5.40	mV/rpm
12 Torque Constant	$k_M$	16.80	32.50	51.60	mNm/A
13 Motor Regulation	$R/k^2$	3.5	3.4	3.1	10 <sup>3</sup> /Nms
14 Friction Torque	$T_F$	3 (0.43)	2.93 (0.42)	2.6 (0.37)	mNm (oz-in)
15 Rotor Inductance	L	0.13	0.52	1.30	mH
16 Mechanical Time Constant	$\tau_m$	16.8	16.3	16.2	ms
17 Rotor Inertia	J	48.00	48.00	52.00	g-cm <sup>2</sup>

General Data					
18 Thermal Resistance (rotor/body)	$R_{th1}/R_{th2}$	4/8			°C/W
19 Thermal Time Constant (rotor/stator)	$t_{w1}/t_{w2}$	40/920			S
20 Operating Temperature Range:	motor	-30°C to 85°C (-22°F to 185°F) 100°C (212°F)			°C (°F)
	rotor				°C (°F)
21 Shaft Load Max.: (5 mm. from bearing)	-radial -axial	With ball bearings			
			35.0 (125.9)		N (oz)
			100 (359.6)		N (oz)
22 Shaft Play:	-radial	negligible			mm (inch)
	-axial	negligible			mm (inch)
23 Weight	g	310 (10.94)			g (oz)
24 Commutation Segment	-	13			segment

Execution Table

Gearbox	Single Shaft	E9	HEDS
R32	54	66	Upon Request
R40	1	96	Upon Request



► Motor shaft rotates CW when seen from motor front face when +ve and -ve supply is given to respective terminals.