

Bean Revision E

P/N: PTD1013012E

info@punchthrough.com

Rev E

Top Silk: tPlace tArt

Bottom Silk: bArt

Layers: 2

Rectangular Dimensions: 1.775" x 0.8" (45.09mm x 20.32mm)

Finished Thickness: 0.062"

Finish: ENIG

Material: FR4

Copper Weight: 1oz

Soldermask: Top and bottom

Silkscreen: Top and Bottom

Silkscreen Color: Black

Soldermask Color: 85% white 10% green 5% blue

Min Drill: 0.008"

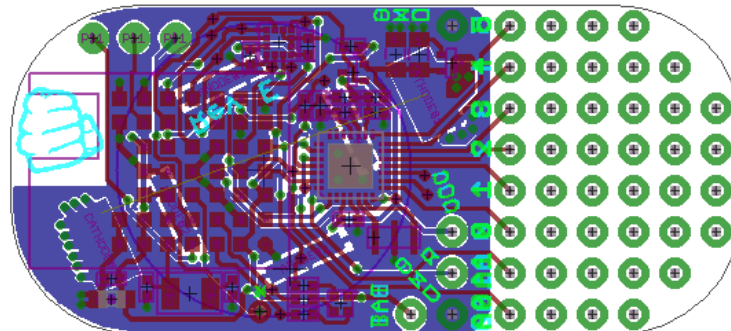
Min Annular Ring: 0.006"

Min Trace: 0.007"

Min Spacing: 0.005"

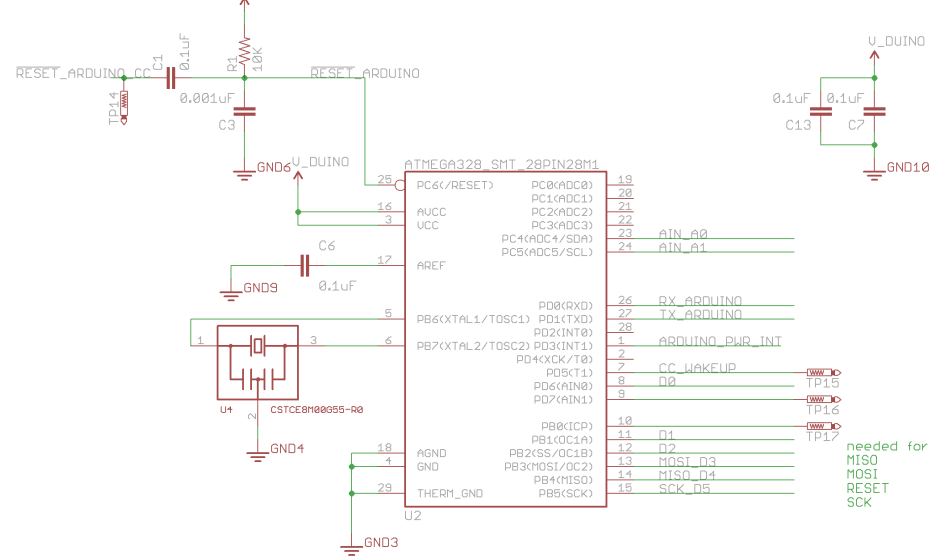
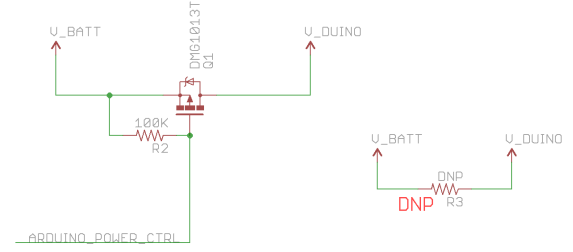
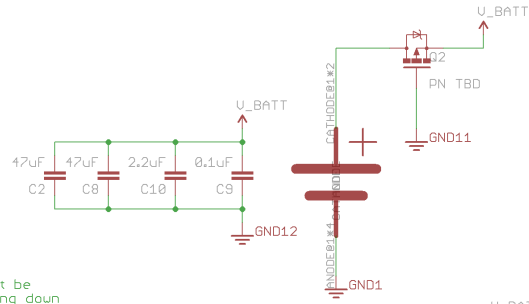
Corner mill radius: 0.32"

Avoid placing copper in antenna keepout

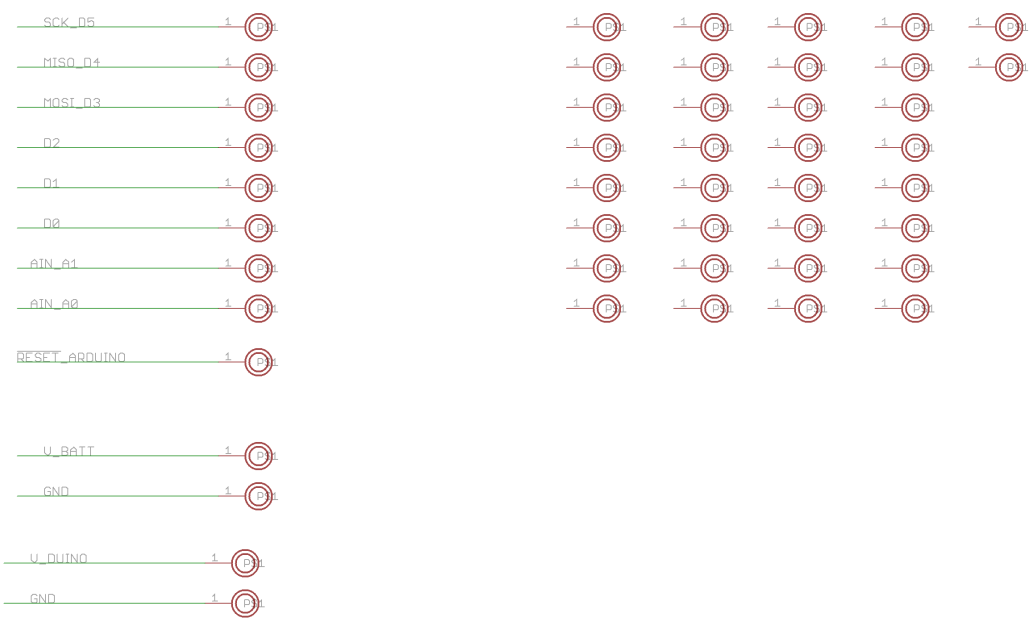
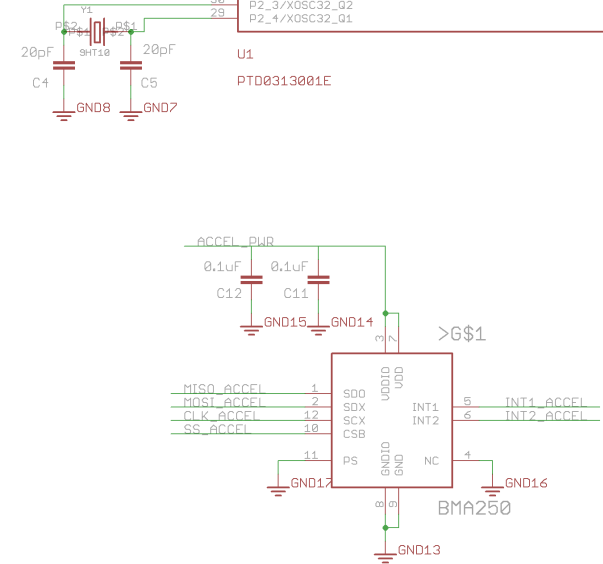
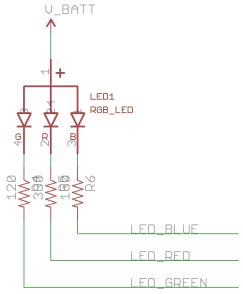




Arduino RESET, TX, and RX must be set LOW by the CC when powering down



DEBUG_1 goes to DD (pin 4 on ccdebugger)
 DEBUG_2 goes to DC (pin 3 on ccdebugger)



needed for IS
 MISO
 MOSI
 RESET
 SCK