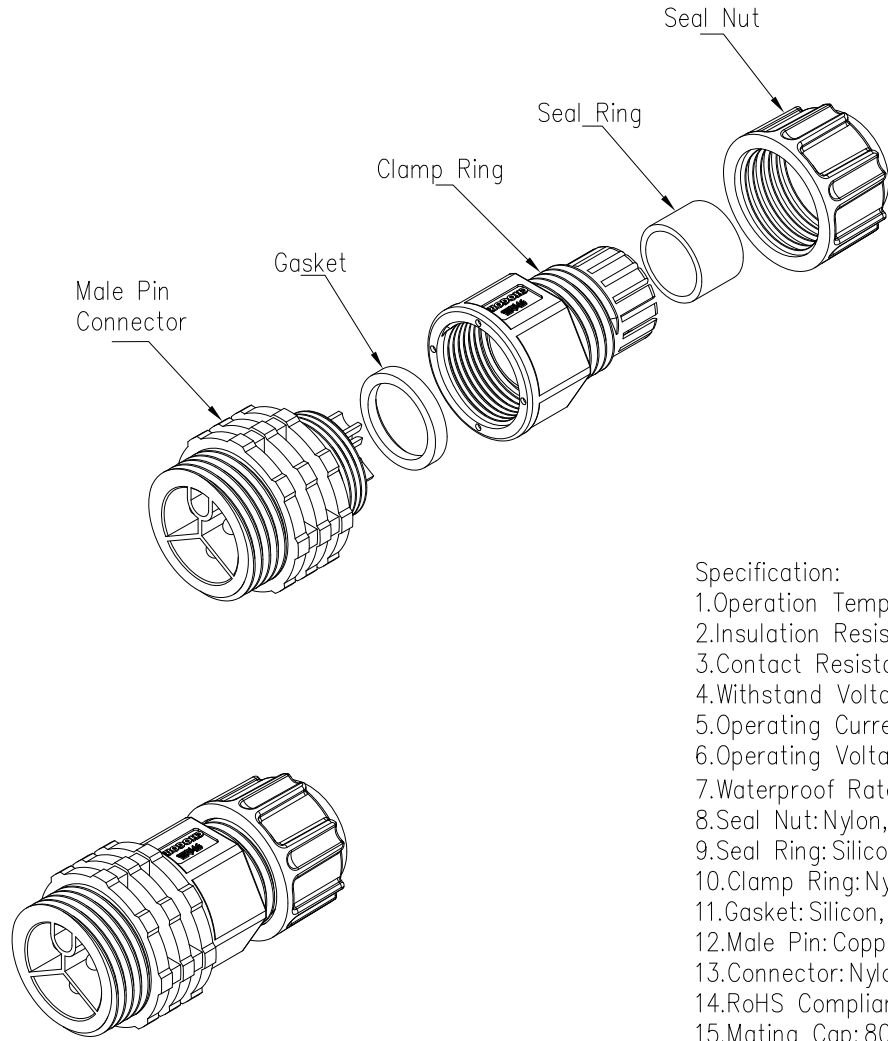
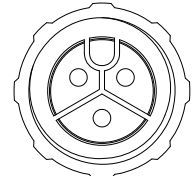
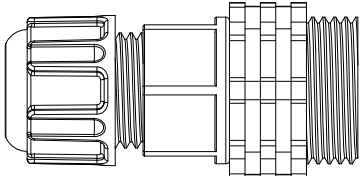
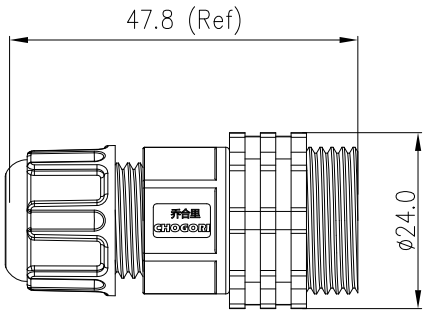
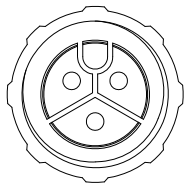


REV.	ECN NO.	DESCRIPTION	SIGN	DATE
C1	N/A	INITIAL DRAWING	Hary	2020/05/19



23XXX311-XX Cable Range OD  
 01 OD: φ3.5mm~φ6.5mm  
 02 OD: φ6.5mm~φ9.5mm

Pin Number

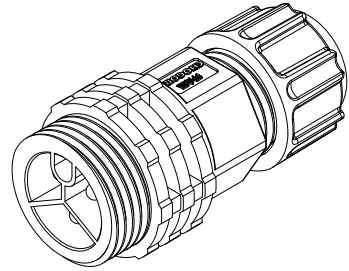


3 Pin

P/N: 23003311-XX

Pin Assignments  
Front View

- Specification:
- 1.Operation Temperature: -45°C~105°C.
  - 2.Insulation Resistance:100MΩ at DC500V.
  - 3.Contact Resistance:<10mΩ
  - 4.Withstand Voltage: 2000V AC
  - 5.Operating Current: 20A
  - 6.Operating Voltage: AC 300V
  - 7.Waterproof Rate:IP67 (Mated)
  - 8.Seal Nut:Nylon, Black
  - 9.Seal Ring:Silicon, Black.
  - 10.Clamp Ring:Nylon, Black
  - 11.Gasket:Silicon, Red
  - 12.Male Pin:Copper Alloy, Gold Plated
  - 13.Connector:Nylon+GF, Black
  - 14.RoHS Compliant.
  - 15.Mating Cap: 806-00052-00



UNIT:mm	DESCRIPTION	PART NO	DRAWN BY	DATE
	Middle Series Screw	23003311-XX	Hary	2020/05/19
	Female Plug With Male Pin	DWG NO	CHECKED BY	DATE
			Mo	2020/05/19
TOLERANCE	SCALE: 1:1	CUSTOMER	APPROVED BY	DATE
.X ±0.25	SHEET 1 OF 1		Panson	2020/05/19
.XX ±0.15	REV. C1			
.XXX ±0.05	SIZE A4			
ANGLES ±1°	* :Inspection Item			

THIS INFORMATION IS CONFIDENTIAL AND IS DISCLOSED TO YOU ON CONDITION THAT NO FURTHER DISCLOSURE IS MADE BY YOU TO OTHER THAN CHOGORI PERSONNEL WITHOUT AUTHORIZATION FROM CHOGORI CORP.