

THIS DRAWING IS UNPUBLISHED.

RELEASED FOR PUBLICATION

20

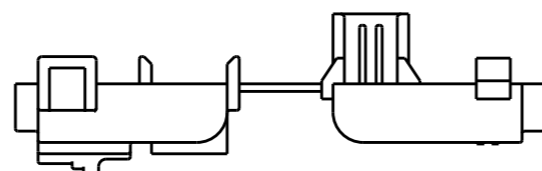
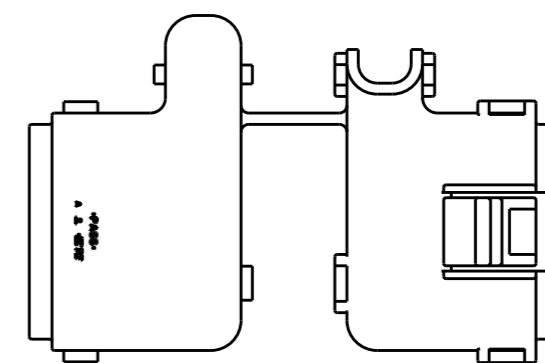
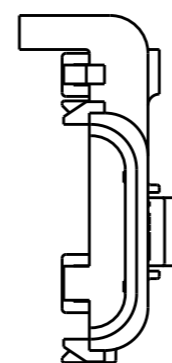
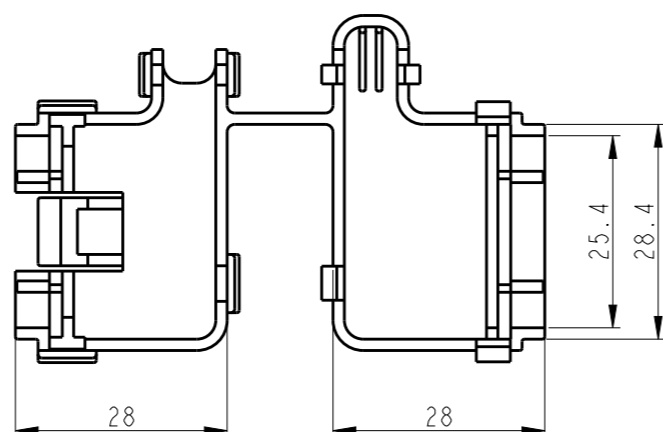
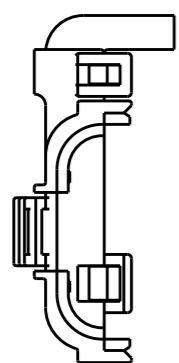
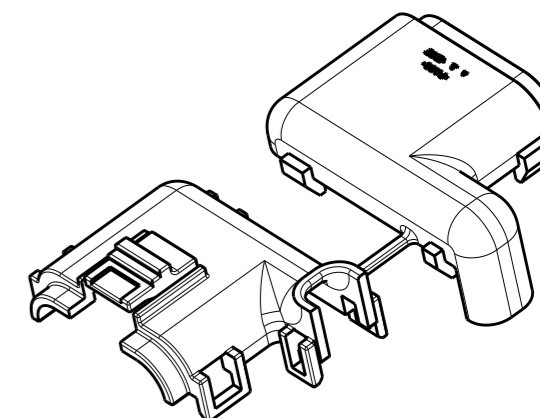
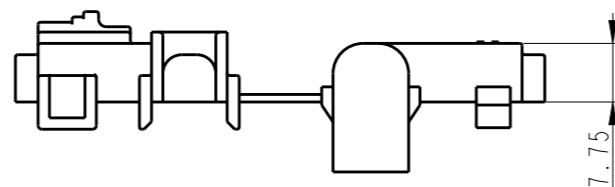
© COPYRIGHT 20 BY -

ALL RIGHTS RESERVED.

REVISIONS

P	LTR	DESCRIPTION	DATE	DWN	APVD
A1		REVISED(ECR-15-014757)	15. JUL. '15	JM	HG
A2		REVISED(ECR-17-018463)	27. SEP. '17	JS	YJ
A3		REVISED(ECR-19-005002)	22. APR. '19	SK	YJ
A4		REVISED(ECR-19-010338)	22. APR. '19	SK	YJ

<2109570-X>
TYPE A



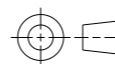
A3	9	BLACK	PBT	WIRE COVER TYPE F	5-2109570-2
A2	8	BLACK	PA66	WIRE COVER TYPE E	4-2109570-2
A2	7	BLACK	PA66	WIRE COVER TYPE D	3-2109570-2
	6	GRAY	PA66	WIRE COVER TYPE C	2-2109570-3
	5	BLACK	PA66	WIRE COVER TYPE C	2-2109570-2
	4	GRAY	PA66	WIRE COVER TYPE B	1-2109570-3
	3	BLACK	PA66	WIRE COVER TYPE B	1-2109570-2
	2	GRAY	PA66	WIRE COVER TYPE A	2109570-3
	1	BLACK	PA66	WIRE COVER TYPE A	2109570-2
NO.		COLOR	MATERIAL	DESCRIPTION	P/N

NOTES.

1. GENERAL TOLERANCE : ± 0.3 , $\pm 3^\circ$
2. APPLICABLE MATING PART NO : 2005375

THIS DRAWING IS A CONTROLLED DOCUMENT.

DIMENSIONS:
mm



TOLERANCES UNLESS OTHERWISE SPECIFIED:

- 0 PLC \pm
- 1 PLC \pm
- 2 PLC \pm
- 3 PLC \pm
- 4 PLC \pm
- ANGLES \pm

MATERIAL

SEE TABLE

FINISH

-

DWN

JM JEON

CHK

JW JUNG

APVD

HG CHO

PRODUCT SPEC

-

APPLICATION SPEC

-

WEIGHT

-

CUSTOMER DRAWING



TE Connectivity

NAME

COVER HSG FOR A/F SNSR 5P

SIZE

A3

CAGE CODE

-

DRAWING NO

C-2109570

RESTRICTED TO

SCALE 1:1

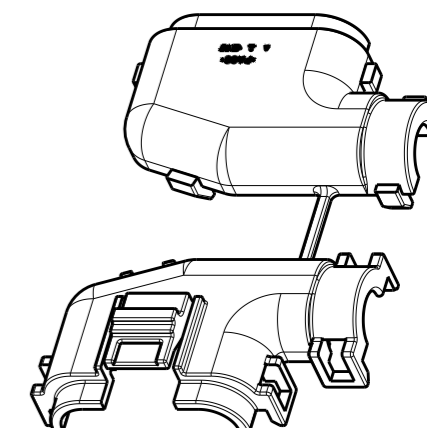
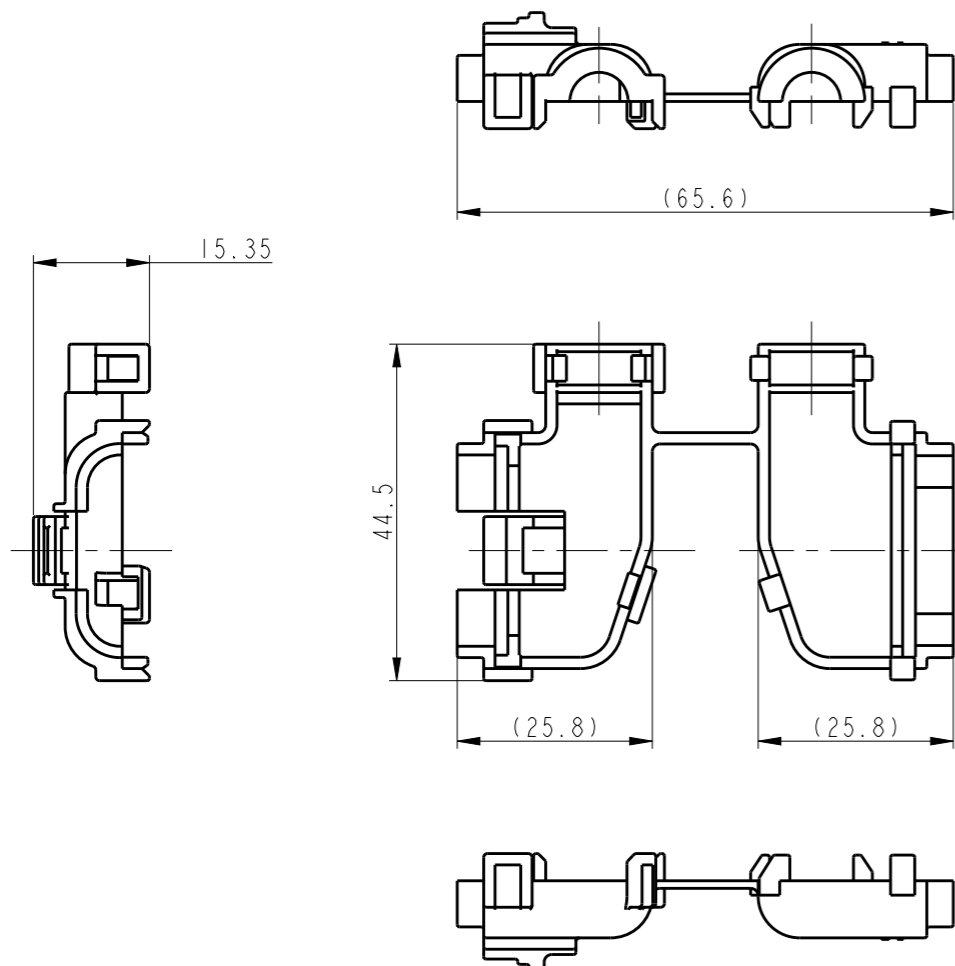
SHEET 1 OF 4

REV A4

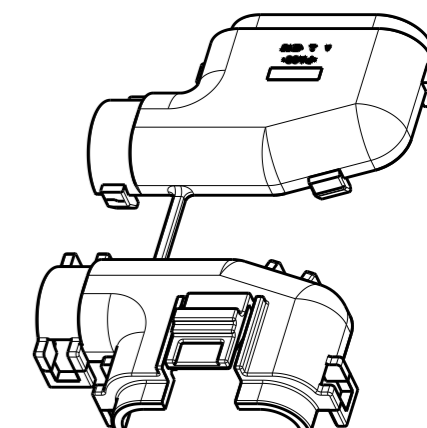
REVISIONS

P	LTR	DESCRIPTION	DATE	DWN	APVD
		SEE SHEET 1			

Ⓐ <1,2-2109570-X>
TYPE B,C



1-2109570-X



Ⓐ 2-2109570-X

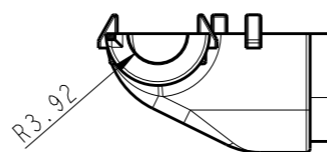
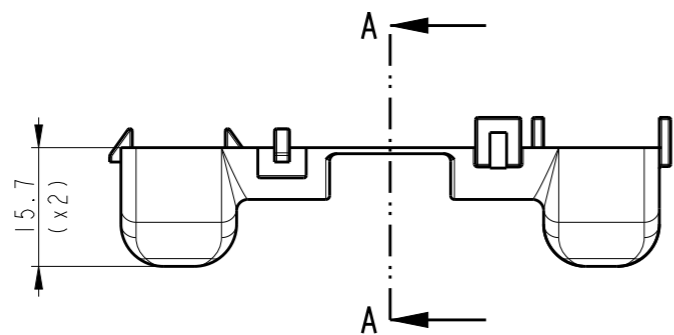
TYPE B 1-2109570-X	TYPE C 2-2109570-X Ⓐ

THIS DRAWING IS A CONTROLLED DOCUMENT.		DWN	TE Connectivity	
DIMENSIONS: mm		CHK		
TOLERANCES UNLESS OTHERWISE SPECIFIED:		APVD <i>SEE SHEET 1 OF 2</i>		NAME COVER HSG FOR A/F SNSR 5P
0 PLC ±		PRODUCT SPEC		SIZE A3
1 PLC ±		APPLICATION SPEC		CAGE CODE -
2 PLC ±		WEIGHT -		DRAWING NO C-2109570
3 PLC ±		CUSTOMER DRAWING		RESTRICTED TO
4 PLC ±		SCALE 1:1		SHEET 2 OF 4
ANGLES ±		REV A4		
FINISH -				
MATERIAL SHEET 1				

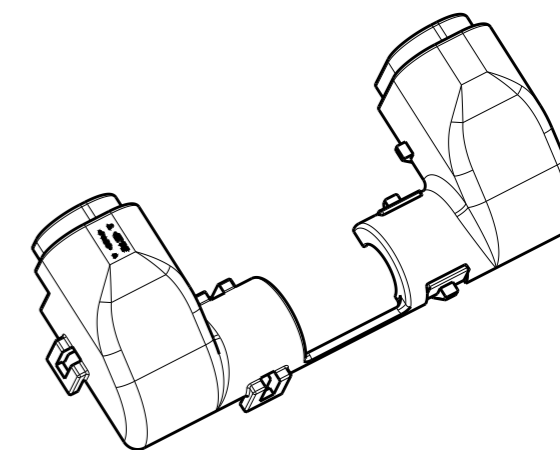
REVISIONS

P	LTR	DESCRIPTION	DATE	DWN	APVD
		SEE SHEET 1			

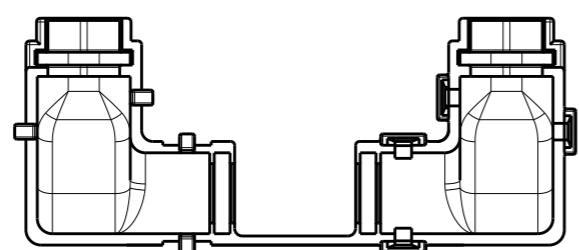
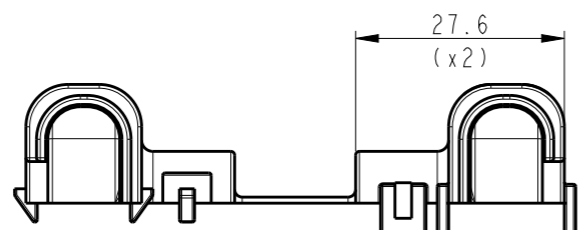
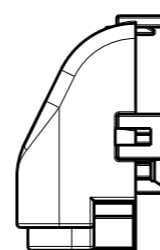
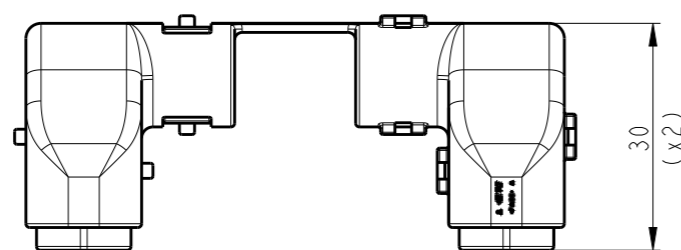
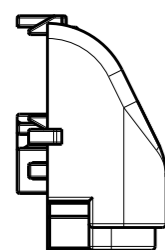
A2 <3,4-2109570-X>
TYPE D,E



SECTION A-A



3D VIEW



TYPE D 3-2109570-X	TYPE E 4-2109570-X

NOTE

1. GENERAL TOLERANCE : ± 0.3 , $\pm 3^\circ$
2. THE MATING PLUG ASS'Y P/N : 2005375-2
3. APPLICABLE CORRUGATE TUBE : $\varnothing 7.0$

THIS DRAWING IS A CONTROLLED DOCUMENT.

DWN

CHK

APVD

PRODUCT SPEC

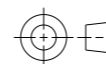
APPLICATION SPEC

WEIGHT

CUSTOMER DRAWING

DIMENSIONS:

mm



TOLERANCES UNLESS OTHERWISE SPECIFIED:

- | | |
|--------|-------|
| 0 PLC | \pm |
| 1 PLC | \pm |
| 2 PLC | \pm |
| 3 PLC | \pm |
| 4 PLC | \pm |
| ANGLES | \pm |

FINISH

SHEET 1

SEE SHEET 1 OF 3



TE Connectivity

NAME

COVER HSG FOR A/F SNSR 5P

SIZE

A3

CAGE CODE

-

DRAWING NO

C-2109570

RESTRICTED TO

SCALE 1:1

SHEET 3 OF 4

REV A4

THIS DRAWING IS UNPUBLISHED.

RELEASED FOR PUBLICATION

20

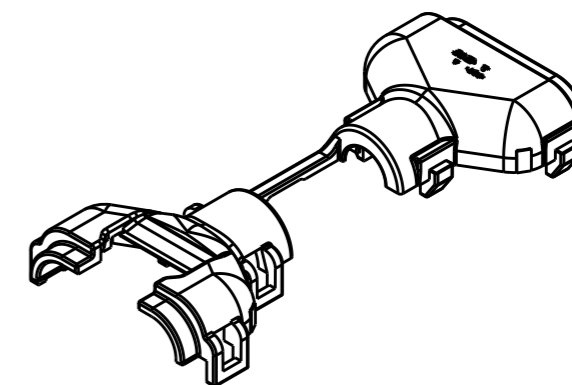
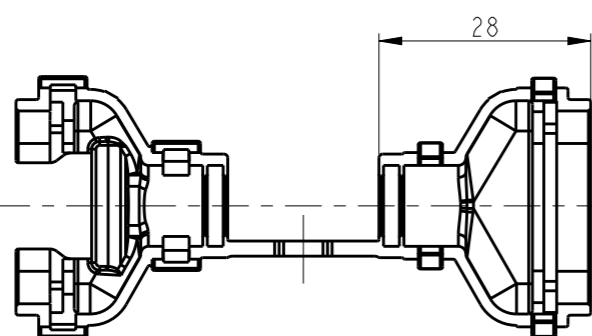
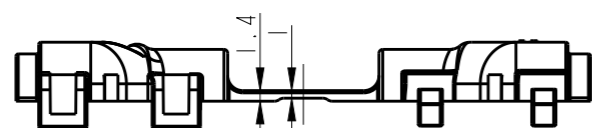
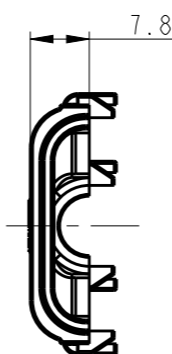
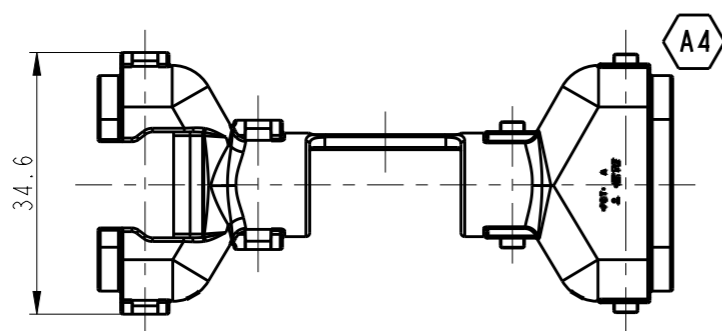
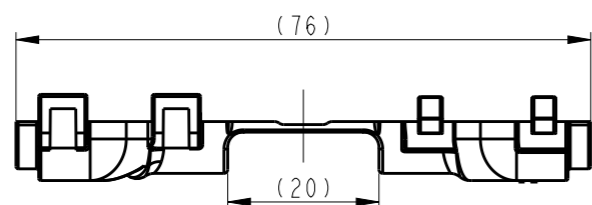
© COPYRIGHT 20 BY -

ALL RIGHTS RESERVED.

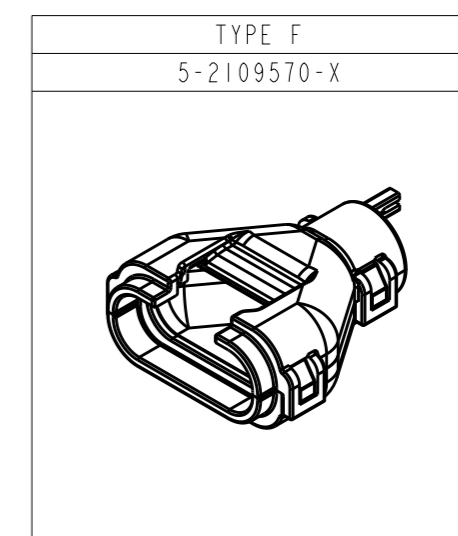
REVISIONS

P	LTR	DESCRIPTION	DATE	DWN	APVD
		SEE SHEET 1			

A3 <5-2109570-X>
TYPE F



3D VIEW



NOTE

1. GENERAL TOLERANCE : ± 0.3 , $\pm 3^\circ$
2. THE MATING PLUG ASS'Y P/N : 2005375-2
3. APPLICABLE CORRUGATE TUBE : $\varnothing 7.0$

THIS DRAWING IS A CONTROLLED DOCUMENT.		DWN	TE Connectivity		
DIMENSIONS: mm		CHK			
		SEE SHEET 1 OF 3		NAME COVER HSG FOR A/F SNSR 5P	
TOLERANCES UNLESS OTHERWISE SPECIFIED:		APVD	PRODUCT SPEC		
0 PLC \pm		-		APPLICATION SPEC	
1 PLC \pm		-		-	
2 PLC \pm		-		-	
3 PLC \pm		-		-	
4 PLC \pm		-		-	
ANGLES \pm		-		-	
MATERIAL		WEIGHT	SIZE	CAGE CODE	DRAWING NO
FINISH		-	A3	-	C-2109570
SHEET 1		CUSTOMER DRAWING		SCALE	RESTRICTED TO
				1:1	
				SHEET	REV
				4 OF 4	A4