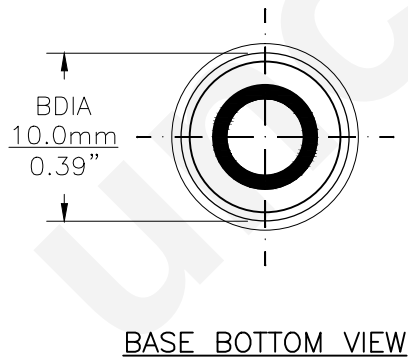
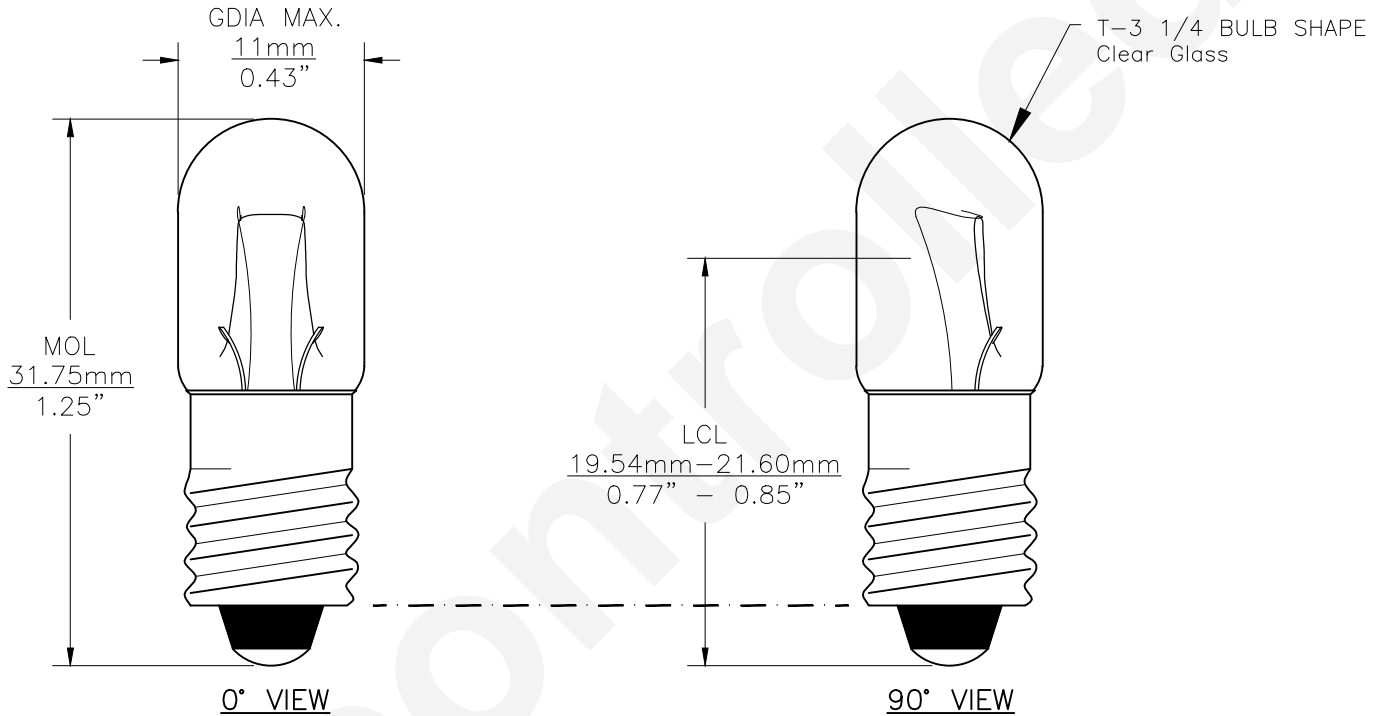




PART NO.	BASE TYPE	DESIGN VOLTS	DESIGN AMPS	MSCD	FILAMENT TYPE	AVERAGE LIFE HOURS	REVISIONS			
							REV #	DESCRIPTION	DATE	APPROVED
1477	Miniature Screw (E10)	24.0V	0.17±10%	3.3±20%	C-2F	250	1	REVISED TO ADD VIEWS/CHANGE FILAMENT TYPE	04/21/2017	R.M.



UNLESS OTHERWISE SPECIFIED: DIMENSIONS ARE IN INCHES TOLERANCES		CEC INDUSTRIES LTD			
DECIMALS .XX ± .05		599 BOND STREET		LINCOLNSHIRE, IL 60069	
ANGULAR .XXX ± .010		TITLE LIGHT BULB NO. 1477			
FRACTIONAL ±1/64		SIZE A	FSCM NO.	DWG NO. 1477	REV 1
DRAWN SIDNEY LIU	DATE 11/06/2007	SCALE	PLOT SCALE	SHEET 1 OF 1	
CHECKED	DESIGN	FILE 1477.pdf	DRAWING NOT TO SCALE		