

Cable gland - G-INS-PG7-S68N-NNES-S - 1411170

Please be informed that the data shown in this PDF Document is generated from our Online Catalog. Please find the complete data in the user's documentation. Our General Terms of Use for Downloads are valid (<http://phoenixcontact.com/download>)



Cable gland, cable gland material: Nickel-plated brass, external cable diameter 3 mm ... 6.5 mm, shielding: no, connecting thread: Pg7, color: silver, with O-ring



Key Commercial Data

Packing unit	10 pc
GTIN	
GTIN	4046356923040

Technical data

Dimensions

Length	27 mm
Wrench size, union nut	14 mm
Wrench size, support	14 mm
Hexagon angular dimension	15.5 mm
Length of the connecting thread	6 mm
Feed-through hole diameter	12.6 mm ... 12.7 mm
External cable diameter	3 mm ... 6.5 mm
	4 mm ... 6.5 mm (for UL 514 B)

Ambient conditions

Degree of protection (IP)	IP69 (DIN EN 60529 / IEC 60529)
	IP68 (5 bar, 30 min.)
Degree of protection (NEMA)	4X
Ambient temperature (operation)	-40 °C ... 100 °C (static)

General

No. of conductors	1
Cable gland material	Nickel-plated brass
Material, insert	Polyamide 6

Cable gland - G-INS-PG7-S68N-NNES-S - 1411170

Technical data

General

Cable seal material	CR
O-ring material	Perbunan
Shielded	no
Thread type connection side	Pg7
Thread type on connection side	Pg7
Torque	3 Nm (Union nut: EN 62444)
	3 Nm (Support: EN 62444)
	3 Nm (for UL514 B: union nut)
Color	silver
Assembly instructions	1) Mount screw connection support in the housing using the correct torque 2) Insert cable 3) Tighten union nut using the correct torque
Manufacturer	BIMED
Manufacturer Designation	BSBC-01

Standards and Regulations

Halogen-free	no
--------------	----

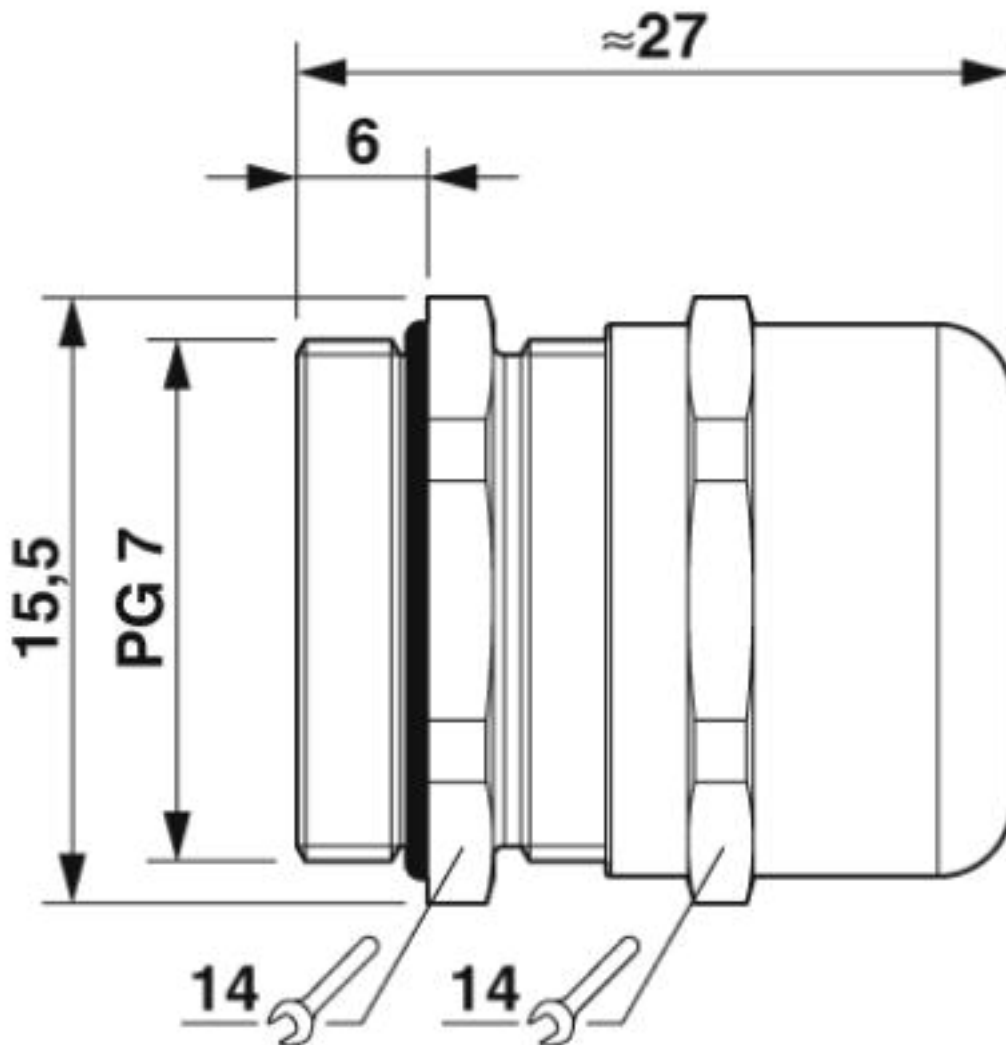
Environmental Product Compliance

China RoHS	Environmentally Friendly Use Period = 50
	For details about hazardous substances go to tab "Downloads", Category "Manufacturer's declaration"

Drawings

Cable gland - G-INS-PG7-S68N-NNES-S - 1411170

Dimensional drawing



Dimensional drawing

Approvals

Approvals

Approvals


UL Recognized / cUL Recognized / cULus Recognized


Ex Approvals

Approval details

Cable gland - G-INS-PG7-S68N-NNES-S - 1411170

Approvals

UL Recognized		http://database.ul.com/cgi-bin/XYV/template/LISEXT/1FRAME/index.htm	E199260
---------------	---	---	---------

cUL Recognized		http://database.ul.com/cgi-bin/XYV/template/LISEXT/1FRAME/index.htm	E199260
----------------	---	---	---------

cULus Recognized			
------------------	---	--	--

Phoenix Contact 2019 © - all rights reserved
<http://www.phoenixcontact.com>

PHOENIX CONTACT GmbH & Co. KG
Flachsmarktstr. 8
32825 Blomberg
Germany
Tel. +49 5235 300
Fax +49 5235 3 41200
<http://www.phoenixcontact.com>