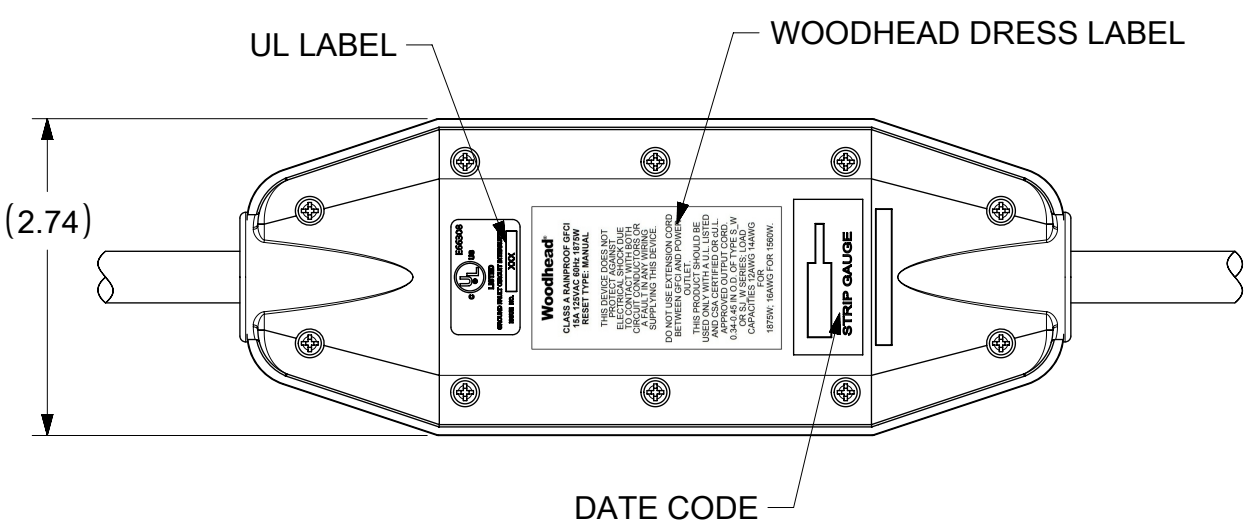
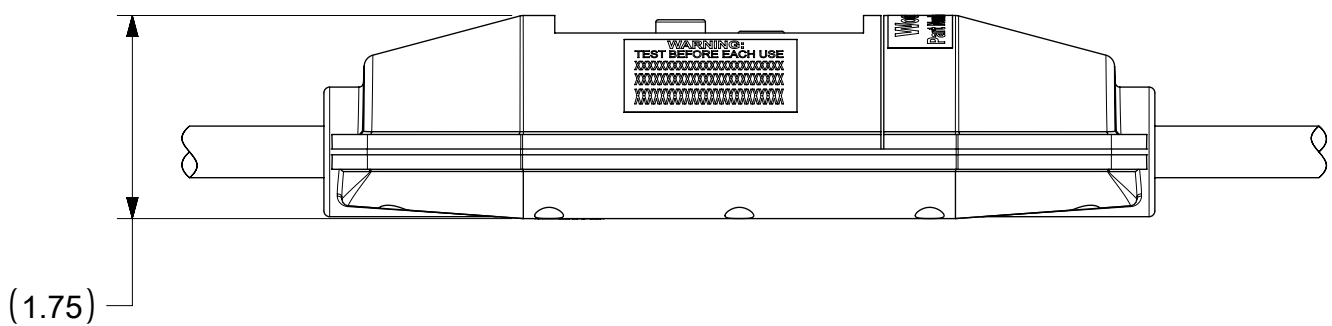
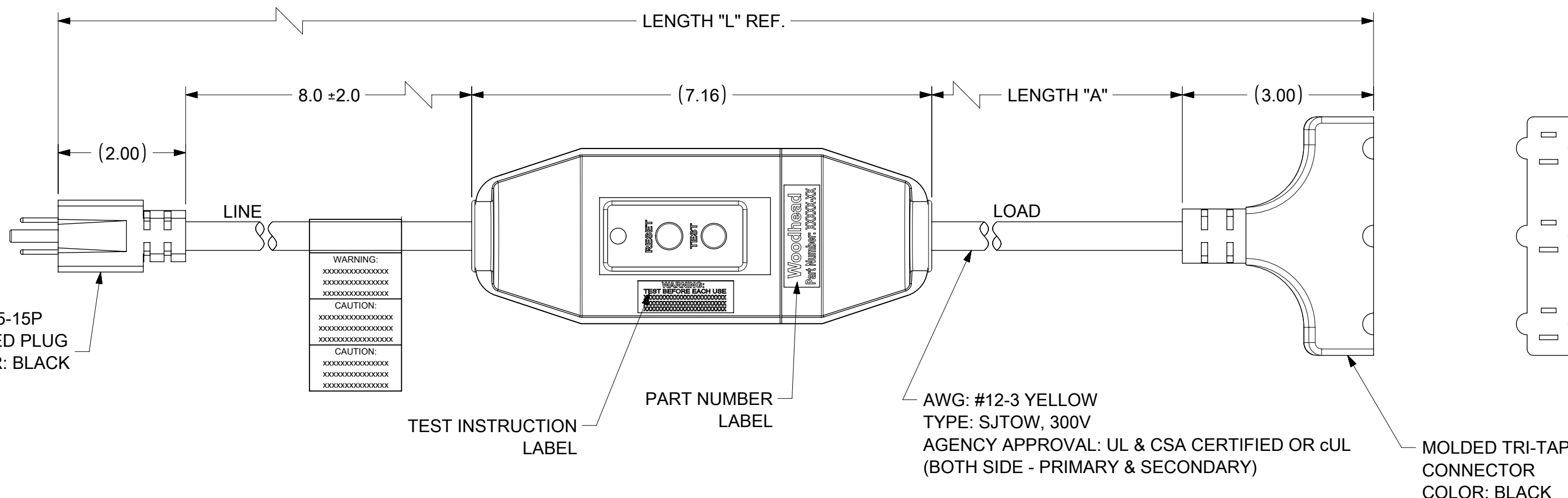


NEMA 5-15P
MOLDED PLUG
COLOR: BLACK



MATERIAL NO.	ENGINEERING NO.	LENGTH "L"	LENGTH "A"	POWER-UP
1301530029	15050-3TTA	2 FT 8 IN	1 FT ± 1 IN	AUTO
1301530040	15050-6TTA	7 FT 8 IN	6 FT ± 2 IN	AUTO
1301530026	15050-25TTA	26 FT 8 IN	25 FT ± 2 IN	AUTO
1301530034	15050-50TTA	51 FT 8 IN	50 FT ± 4 IN	AUTO
1301530030	15050-1TTM	2 FT 8 IN	1 FT ± 1 IN	MANUAL
1301530041	15050-6TTM	7 FT 8 IN	6 FT ± 2 IN	MANUAL
1301530027	15050-25TTM	26 FT 8 IN	25 FT ± 2 IN	MANUAL
1301530035	15050-50TTM	51 FT 8 IN	50 FT ± 4 IN	MANUAL

TECHNICAL

LISTED: UL & CSA
 RATED SUPPLY VOLTAGE: 120VAC
 RATED CURRENT: UP TO 15 AMPS
 RESET TYPE: AUTO OR MANUAL
 OPERATING FREQUENCY: 60 Hz
 TYPE: CLASS A
 GROUND TRIP CURRENT: 5mA +/- 1mA
 OVERLOAD CURRENT: 90 AMPS, 0.45 PF
 INSULATION VOLTAGE: 1,500 VRMS - 1 MINUTE
 ENDURANCE OPERATIONS: 3000 OPERATIONS
 ENCLOSURE: NEMA 3R

FUNCTIONAL SYMBOLS $\frac{F}{A} = 0$ $\frac{F}{C} = 0$ $\frac{F}{P} = 0$ DIVISIONAL SYMBOLS 4 PLACES ± 3 PLACES ± 2 PLACES ± 1 PLACE ± 0 PLACES ±	THIS DRAWING CONTAINS INFORMATION THAT IS PROPRIETARY TO MOLEX ELECTRONIC TECHNOLOGIES, LLC AND SHOULD NOT BE USED WITHOUT WRITTEN PERMISSION		DIMENSION UNITS: INCH SCALE: NTS		CURRENT REV DESC: NEW SALES DRAWING CREATED				
	GENERAL TOLERANCES (UNLESS SPECIFIED) ANGULAR TOL ± 0.5°		EC NO: 679783 DRWN: VBASUTHKARP 2021/09/30 CHK'D: DNGUYEN62 2021/10/05 APPR: HKNEELAND 2021/10/11		INLINE GFCI 15A, 120V W/ TRIPLE TAP CONNECTOR NEMA 5-15				
	DRAFT WHERE APPLICABLE MUST REMAIN WITHIN DIMENSIONS		THIRD ANGLE PROJECTION		DRAWING: C-SIZE SERIES: 130153		PRODUCT CUSTOMER DRAWING DOCUMENT NUMBER: 1301530029 DOC TYPE: PSD DOC PART: 000 REVISION: A		
	MATERIAL NUMBER: SEE TABLE CUSTOMER: GENERAL MARKET SHEET NUMBER: 1 OF 1		MATERIAL NUMBER: SEE TABLE CUSTOMER: GENERAL MARKET SHEET NUMBER: 1 OF 1		MATERIAL NUMBER: SEE TABLE CUSTOMER: GENERAL MARKET SHEET NUMBER: 1 OF 1		MATERIAL NUMBER: SEE TABLE CUSTOMER: GENERAL MARKET SHEET NUMBER: 1 OF 1		

6

5

4

3

2

1

E

E

D

D

C

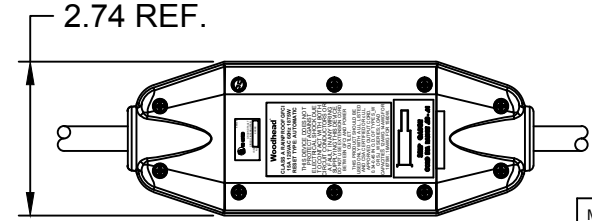
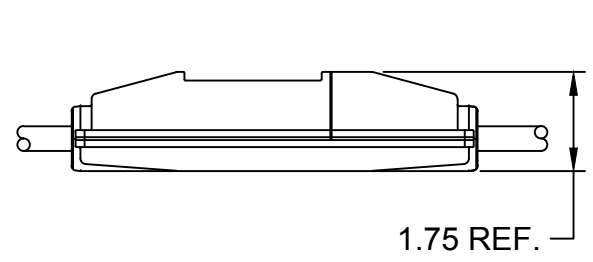
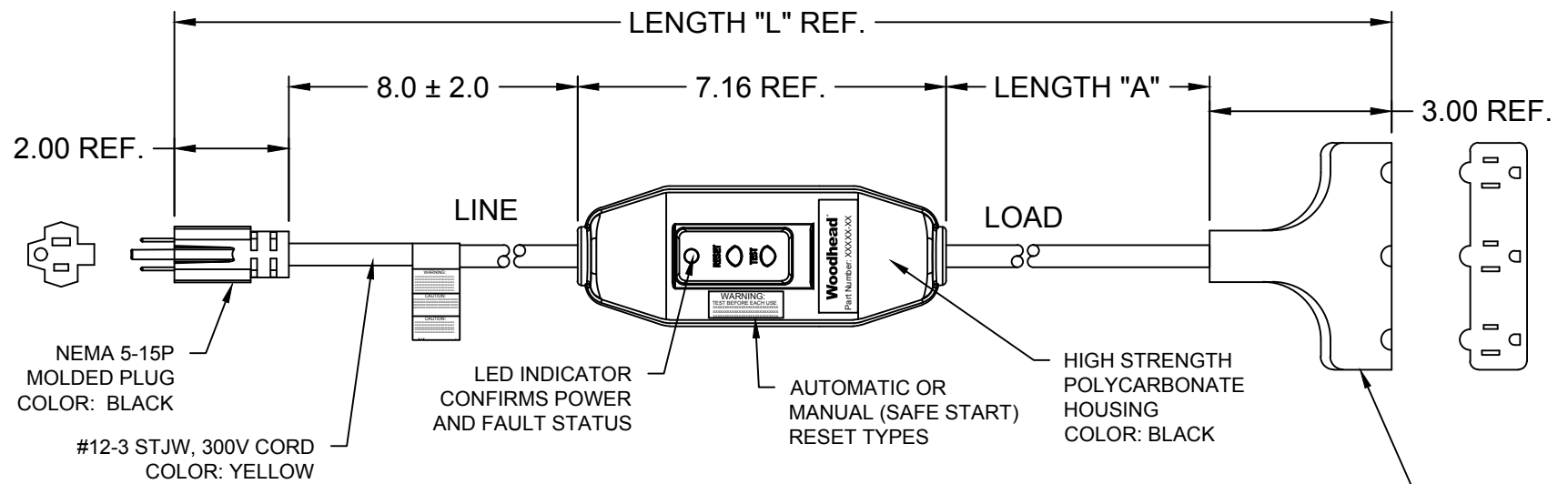
C

B

B

A

A



TECHNICAL:
 LISTED:
 RATED SUPPLY VOLTAGE:
 RATED CURRENT:
 RESET TYPE:
 OPERATING FREQUENCY:
 TYPE:
 GROUND TRIP CURRENT:
 OVERLOAD CURRENT:
 INSULATION VOLTAGE:
 ENDURANCE OPERATIONS:

UL AND cUL
 120 VAC
 UP TO 15 AMPS OR CABLE RATING
 AUTOMATIC OR MANUAL
 60 Hz
 CLASS A
 4-6 mA
 90 AMP 125 VAC
 1,500 VRMS – 1 MINUTE
 3000 OPERATIONS

MATERIAL NO.	ENGINEERING NO.	LENGTH "L"	LENGTH "A"	POWER-UP
1301530029	15050-3TTA	2 FT 8 IN	1 FT ± 1 IN	AUTO
1301530040	15050-6TTA	7 FT 8 IN	6 FT ± 2 IN	AUTO
1301530026	15050-25TTA	26 FT 8 IN	25 FT ± 2 IN	AUTO
1301530034	15050-50TTA	51 FT 8 IN	50 FT ± 4 IN	AUTO
1301530030	15050-1TTM	2 FT 8 IN	1 FT ± 1 IN	MANUAL
1301530041	15050-6TTM	7 FT 8 IN	6 FT ± 2 IN	MANUAL
1301530027	15050-25TTM	26 FT 8 IN	25 FT ± 2 IN	MANUAL
1301530035	15050-50TTM	51 FT 8 IN	50 FT ± 4 IN	MANUAL

INITIAL RELEASE EC NO: IPC2013-1078 DRWN: HRUIZ01 2013/02/06 CHKD: HKNEELAN 2014/07/22 APPR: JFMURPHY 2015/04/20	DESCRIPTION REV A	QUALITY SYMBOLS ▽=0 ▽C=0	GENERAL TOLERANCES (UNLESS SPECIFIED)		DIMENSION STYLE		SCALE		DESIGN UNITS		THIRD ANGLE PROJECTION
					INCH		NTS		INCH		
					DRAWN BY DATE		CHECKED BY DATE		TITLED		
					APPROVED BY DATE		MATERIAL NO.		DOCUMENT NO.		
				4 PLACES ±---		2013/02/06		120V 15A INLINE GFCI		SHEET NO. 1 OF 1	
				3 PLACES ±---		2014/07/22		W/ TRIPLE TAP CONNECTOR			
				2 PLACES ±0.13 ±0.010		2015/04/20		MOLEX INCORPORATED			
				1 PLACE ±0.25 ±0.020				SD-130153-014			
				ANGULAR ±1/2°							
				DRAFT WHERE APPLICABLE MUST REMAIN WITHIN DIMENSIONS		SEE TABLE		THIS DRAWING CONTAINS INFORMATION THAT IS PROPRIETARY TO MOLEX INCORPORATED AND SHOULD NOT BE USED WITHOUT WRITTEN PERMISSION			