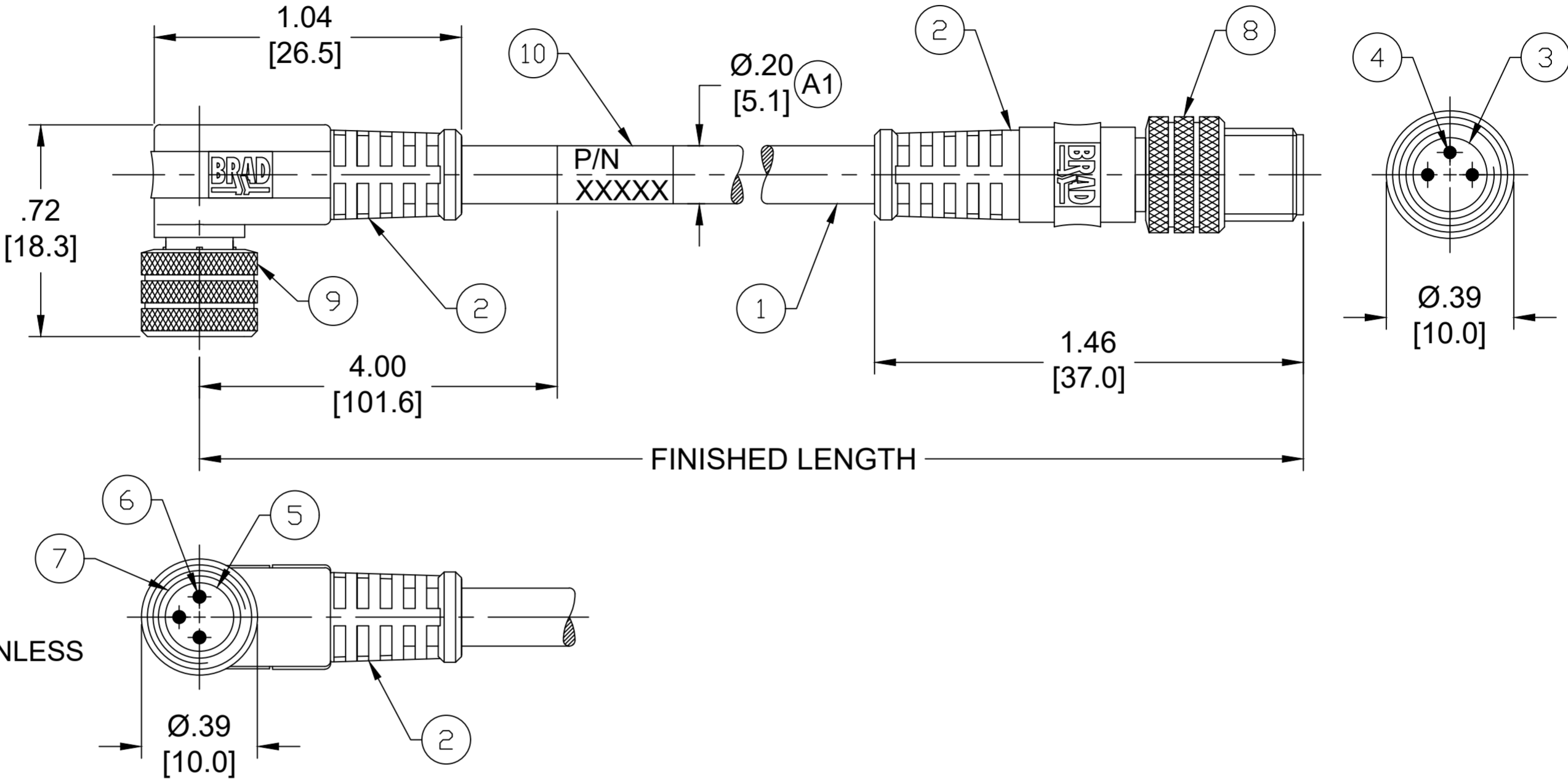
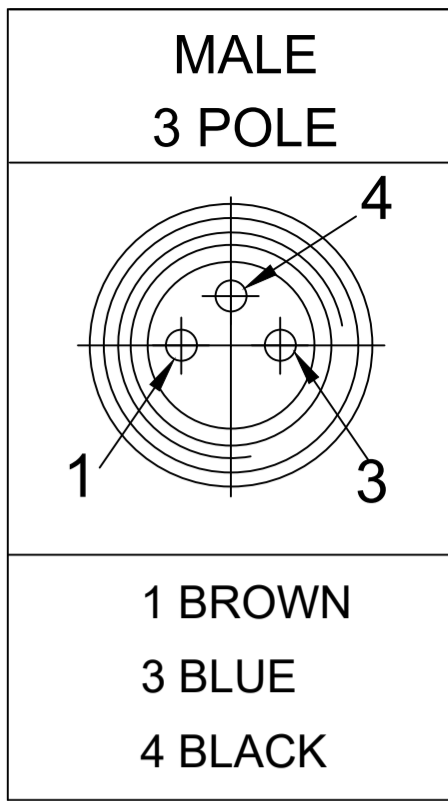


MATERIAL NUMBER	ENGINEERING NUMBER	FINISHED LENGTH
1200868545	443031K05M006	0.6M [2 FT]
1200870485	443031K05M010	1M [3 FT 3 IN]
1200870486	443031K05M020	2M [6 FT 7 IN]
1200868546	443031K05M050	5M [16 FT 5 IN]



- NOTES:**
- MATERIAL: AS NOTED
 - FINISH: AS NOTED
 - ELECTRICAL:
VOLTAGE : 60VAC/75VDC
CURRENT: 4A
 - TEMP RATING: -20° TO +105°C ^(A1)
 - PROTECTION: IP67 (WHEN MATED)
 - COUPLING THREAD: M8X1
 - UL LISTED FILE: E152210
 - ALL DIMENSIONS ARE FOR REFERENCE UNLESS TOLERANCED OR NOTED OTHERWISE

MECHANICAL CHARACTERISTICS: ^(A1)

TORSIONAL FLEX TEST	10 MILLION CYCLES PER MIL-C-13777G
BEND FLEX TEST	10 MILLION CYCLES PER MIL-C-13777G
WELD SLAG RESISTANCE	WOODHEAD STANDARD S-300

ITEM	COMPONENT	MATERIAL	FINISH
10	WRAP LABEL	VINYL	BLACK/YELLOW
9	FEMALE COUPLING NUT	BRASS	NICKEL PLATED
8	MALE COUPLING NUT	BRASS	NICKEL PLATED
7	O-RING	VITON	RED
6	CONTACT SOCKET	COPPER ALLOY	GOLD OVER NICKEL
5	FEMALE INSERT	PUR	BLACK
4	CONTACT PIN	COPPER ALLOY	GOLD OVER NICKEL
3	MALE INSERT	PUR	BLACK
2	OVERMOLD	TPC	YELLOW
1	CABLE, #22-3, ITC/PLTC	TPE	YELLOW

PART NUMBER LEGEND
443031K05M010

LENGTH
M001 = .6 METER
M010 = 1 METER
M100 = 10 METER

CABLE LENGTH TOLERANCES

<.3M [1FT]	+19mm-0 [+.75in-0]
.3 - .9M [1 - 3FT]	+44.5mm-0 [+1.75in-0]
.9 - 1.8M [3 - 6FT]	+55.6mm-0 [+2.19in-0]
1.8 - 3.7M [6 - 12FT]	+88.9mm-0 [+3.50in-0]
3.7 - 7.3M [12 - 24FT]	+165.1mm-0 [+6.50in-0]
7.3-14.6M [24 - 48FT]	+317.5mm-0 [+12.50in-0]
14.6 - 30.5M [48-100FT]	+622.3mm-0 [+24.50in-0]
OVER 30M [100FT]	+2% OF FINISHED LENGTH

FUNCTIONAL SYMBOLS $\nabla_A=0$ $\nabla_C=0$ $\nabla_P=0$ DIVISIONAL SYMBOLS	THIS DRAWING CONTAINS INFORMATION THAT IS PROPRIETARY TO MOLEX ELECTRONIC TECHNOLOGIES, LLC AND SHOULD NOT BE USED WITHOUT WRITTEN PERMISSION	CURRENT REV DESC: ITEM-10 WAS MYLAR. ADDED CABLE DIA & MECHANICAL CHARACTERISTICS CHART. MODIFIED TEMP RATING & PN CHART. REMOVED CSA																		
	DIMENSION UNITS INCH/MM	SCALE NTS	EC NO: 702709																	
	GENERAL TOLERANCES (UNLESS SPECIFIED)		DRWN: ABENJAMINLW 2021/10/25																	
	<table border="1"> <thead> <tr> <th></th> <th>mm</th> <th>INCH</th> </tr> </thead> <tbody> <tr> <td>4 PLACES</td> <td>±----</td> <td>±----</td> </tr> <tr> <td>3 PLACES</td> <td>±----</td> <td>±----</td> </tr> <tr> <td>2 PLACES</td> <td>±----</td> <td>±----</td> </tr> <tr> <td>1 PLACE</td> <td>±----</td> <td>±----</td> </tr> <tr> <td>0 PLACES</td> <td>±----</td> <td>±----</td> </tr> </tbody> </table>			mm	INCH	4 PLACES	±----	±----	3 PLACES	±----	±----	2 PLACES	±----	±----	1 PLACE	±----	±----	0 PLACES	±----	±----
	mm	INCH																		
4 PLACES	±----	±----																		
3 PLACES	±----	±----																		
2 PLACES	±----	±----																		
1 PLACE	±----	±----																		
0 PLACES	±----	±----																		
DRAFT WHERE APPLICABLE MUST REMAIN WITHIN DIMENSIONS		THIRD ANGLE PROJECTION	DRAWING C-SIZE																	
		SERIES 120086	APPR: BWOODMAN 2022/04/16																	
		INITIAL REVISION:	DRWN: GGUSTAFS 2013/10/11																	
		APPR: BWOODMAN 2013/11/12	DRWN: GGUSTAFS 2013/11/12																	
DOCUMENT NUMBER		DOC TYPE/DOC PART	REVISION																	
SD-120086-054		PSD	001 A1																	
MATERIAL NUMBER	CUSTOMER	SHEET NUMBER																		
SEE CHART	GENERAL MARKET	1 OF 1																		