

Unlatching Tool

Application Tooling Specification Sheet

Order No. 63824-5010

FEATURES

- This tool is designed to easily locate and unlatch the 505071 plug terminal, so the 505073 crimp receptacles can be removed.
- Tool guiding features helps to keep the terminals aligned during unlatching, to reduce damage to the connection, and circuit board.

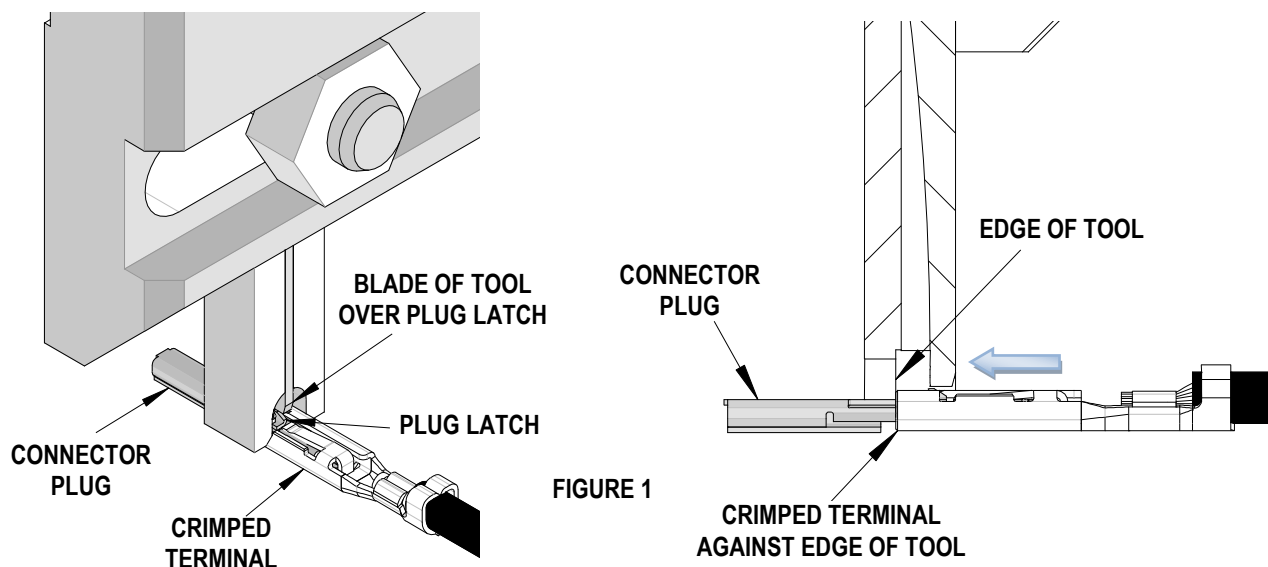
SCOPE

Products: TermiMate™ One-Circuit Board-to-Board Terminal-Style Connectors.

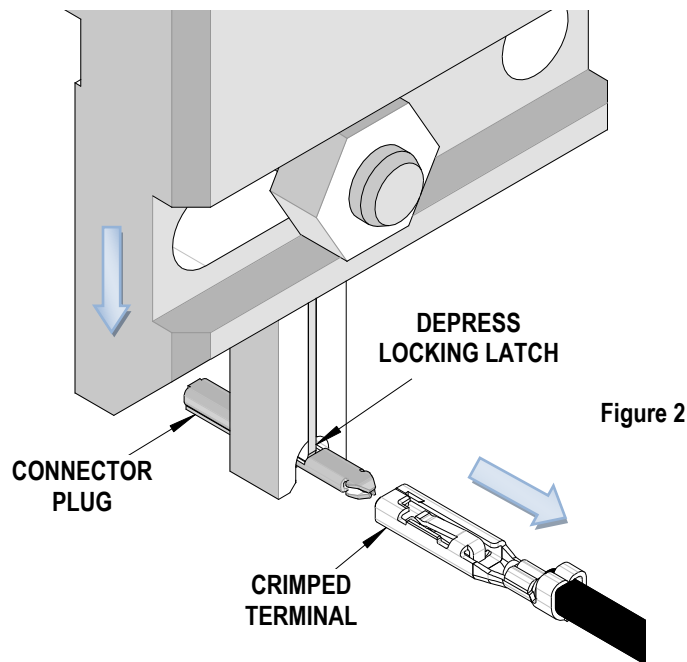
Connector Plug Series No.	Connector Plug Order No.	Crimp Receptacle Series No.	Crimp Receptacle Order No
505071	505071-0100	505073	505073-0100
	505071-0101		505073-0101
	505071-1100		505073-1100

OPERATION

1. Position the unlatching tool above the crimped wire and the connector plug. The engraved side of the tool should be facing the 505071 plug terminal direction. See Figure 1.
2. Do not push the tool down at this time.
3. Position the tool so that the locating wall (on the inside of the tool), is against the front of the crimp terminal.



4. Push down and depress the connector plug locking latch.
5. Gently pull the crimped terminal back through the plug slot in the arrow direction as shown in Figure 2.



CAUTION: This extractor tool should be used to extract the terminal only. Using it for unintended purposes may cause injury or damage to parts. Be careful not to deform the end of the terminal.

CAUTION: Molex specifications are valid only when used with Molex terminals, applicators and tooling.

Contact Information

For more information on Molex application tooling please contact Molex at 1-800-786-6539.

Visit our Web site at <http://www.molex.com>