

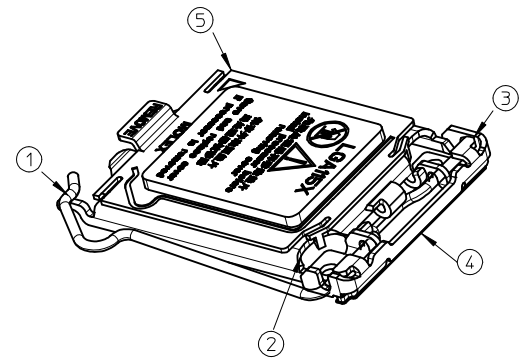
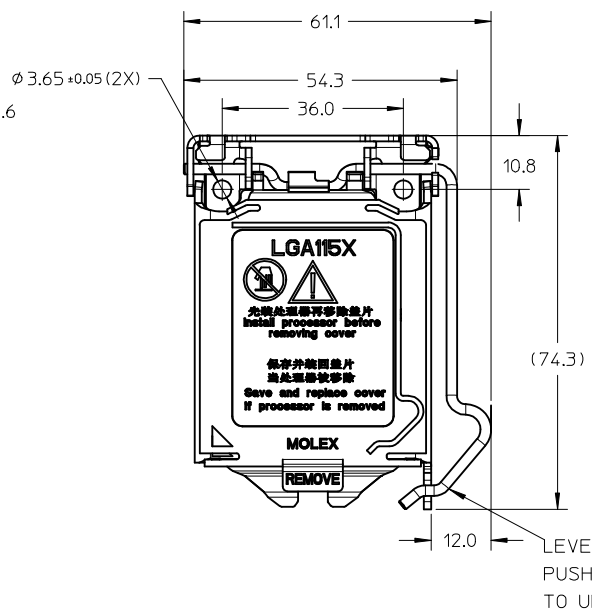
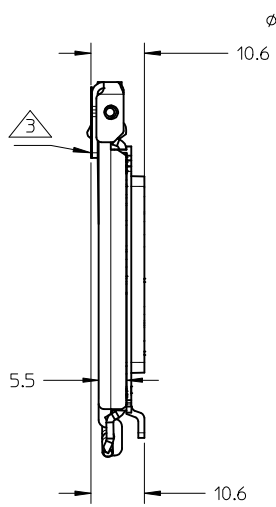
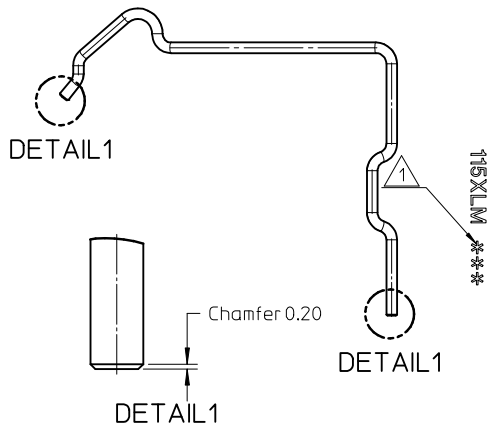
NOTES:

- 1. INK PRINTED DATE CODE: * * *
 * WORKING DAY
 * WORKING MONTH
 * WORKING YEAR
- 2. AREA FILLED WITH BLACK INK.
- 3. INSULATOR OVERHANG ILM FRAME.
- 4. PARTS ARE COMPLIANT TO RoHS DIRECTIVE 2002/95/EC AND ELV 2000/53/EC.
- 5. PARTS ARE HALOGEN FREE.

BILL OF MATERIAL(47596-8755)				
PART NO.	ITEM NO	Q'TY	DESCRIPTION	MATERIAL
475968855		1	ILM TOP ASSY WITHOUT SCREW	
	①	1	ILM LEVER	STAINLESS STEEL
	②	1	ILM LOAD PLATE	SUS430
	③	1	ILM FRAME	STEEL WITH NICKEL PLATING
	④	1	ILM FRAME INSULATOR	POLYCARBONATE FILM
475973003	⑤	1	ILM PNP COVER	PC/ABS

47596-8755	WITH ILM PNP COVER
PART NO.	DESCRIPTION

ENTER DESCRIPTION EC NO: SH2013-0064 DRWN: YXZHENG 2012/05/29 CHKD: APPR: AYIN 2013/02/04	QUALITY SYMBOLS	GENERAL TOLERANCES (UNLESS SPECIFIED)	DIMENSION STYLE	SCALE	DESIGN UNITS	THIRD ANGLE PROJECTION
	$F_A=0$ $F_G=0$ $F_B=0$	mm INCH 4 PLACES ± --- ± --- 3 PLACES ± --- ± --- 2 PLACES ± 0.10 ± --- 1 PLACE ± 0.25 ± --- ANGULAR ± ---°	MM ONLY DRAWN BY: YXZHENG DATE: 2012/05/29 CHECKED BY: DATE:	1:1	METRIC	
		DRAFT WHERE APPLICABLE MUST REMAIN WITHIN DIMENSIONS	APPROVED BY: AYIN DATE: 2013/02/04 MATERIAL NO.	TITLE: 115X ILM TOP ASSY SUS430 MOLEX INCORPORATED DOCUMENT NO. RSD-47596-003		
			SIZE: A3 THIS DRAWING CONTAINS INFORMATION THAT IS PROPRIETARY TO MOLEX INCORPORATED AND SHOULD NOT BE USED WITHOUT WRITTEN PERMISSION	SHEET NO. 1 OF 1		



LEVER POSITION: OPEN
PUSH LEVER OUT
TO UNLOCK

NOTES:

- 1. INK PRINTED DATE CODE: * * *
 * WORKING DAY
 * WORKING MONTH
 * WORKING YEAR
- 2. AREA FILLED WITH BLACK INK.
- 3. INSULATOR OVERHANG ILM FRAME.
- 4. PARTS ARE COMPLIANT TO RoHS DIRECTIVE 2002/95/EC AND ELV 2000/53/EC.
- 5. PARTS ARE HALOGEN FREE.

BILL OF MATERIAL(47596-8755)				
PART NO.	ITEM NO	Q'TY	DESCRIPTION	MATERIAL
475968855		1	ILM TOP ASSY WITHOUT SCREW	
	①	1	ILM LEVER	STAINLESS STEEL
	②	1	ILM LOAD PLATE	SUS430
	③	1	ILM FRAME	STEEL WITH NICKEL PLATING
	④	1	ILM FRAME INSULATOR	POLYCARBONATE FILM
475973003	⑤	1	ILM PNP COVER	PC/ABS

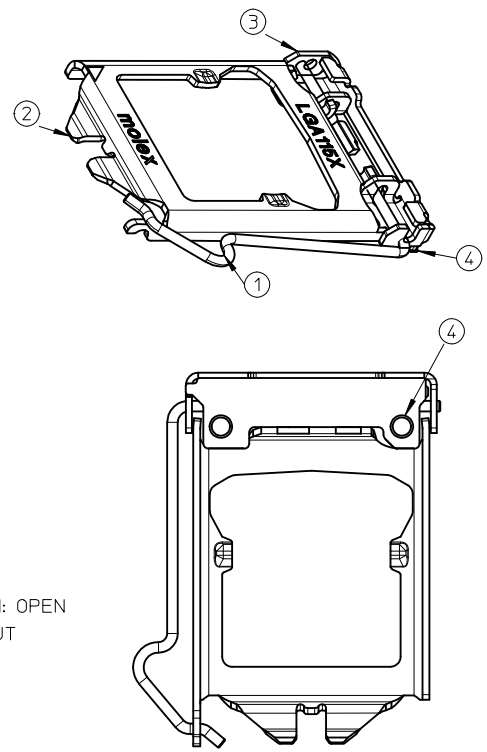
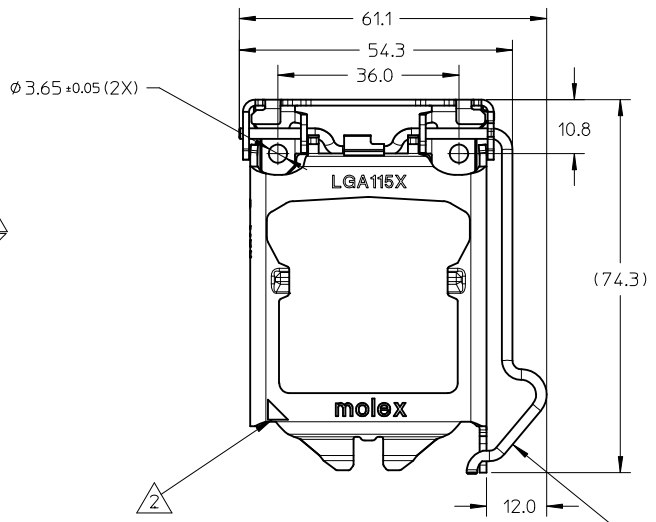
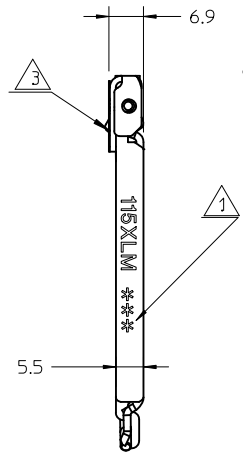
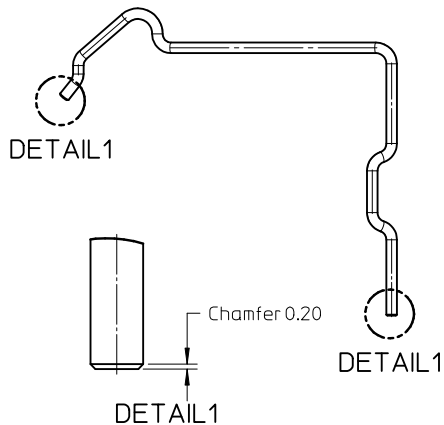
47596-8755	WITH ILM PNP COVER
PART NO.	DESCRIPTION

ENTER DESCRIPTION EC NO: SH2013-0064 DRWN:YXZHENG 2012/05/29 CHKD: APPR:AYIN 2013/02/04	QUALITY SYMBOLS FA=0 FC=0 FB=0
REV	DESCRIPTION

GENERAL TOLERANCES (UNLESS SPECIFIED)	
mm	INCH
4 PLACES ± ---	± ---
3 PLACES ± ---	± ---
2 PLACES ± 0.10	± ---
1 PLACE ± 0.25	± ---
ANGULAR ± ---°	
DRAFT WHERE APPLICABLE MUST REMAIN WITHIN DIMENSIONS	

DIMENSION STYLE	
MM ONLY	
DRAWN BY	DATE
YXZHENG	2012/05/29
CHECKED BY	DATE
APPROVED BY	DATE
AYIN	2013/02/04
MATERIAL NO.	
SEE TABLE	

SCALE	DESIGN UNITS	THIRD ANGLE PROJECTION
1:1	METRIC	
TITLE		
115X ILM TOP ASSY SUS430		
MOLEX INCORPORATED		
DOCUMENT NO.	SHEET NO.	
RSD-47596-003	1 OF 1	
THIS DRAWING CONTAINS INFORMATION THAT IS PROPRIETARY TO MOLEX INCORPORATED AND SHOULD NOT BE USED WITHOUT WRITTEN PERMISSION		



LEVER POSITION: OPEN
PUSH LEVER OUT
TO UNLOCK

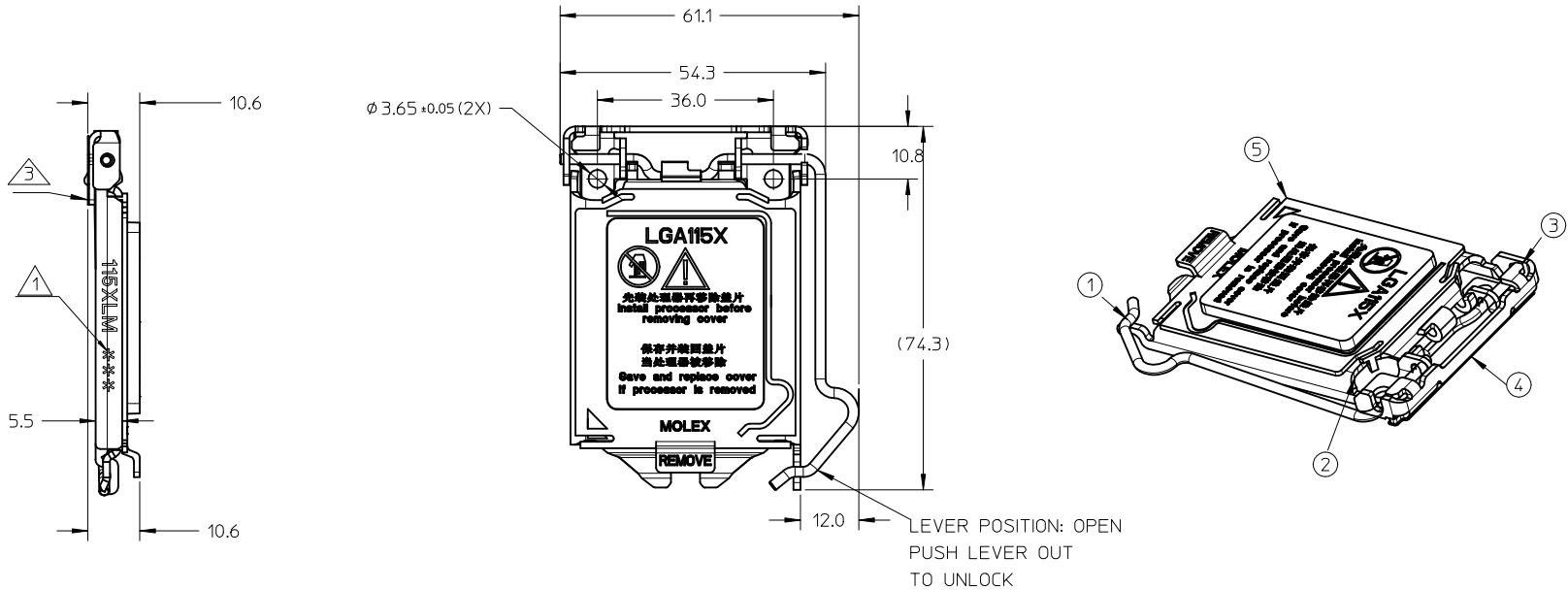
NOTES:

- 1. INK PRINTED DATE CODE: * * *
 * WORKING DAY
 * WORKING MONTH
 * WORKING YEAR
- 2. AREA FILLED WITH BLACK INK.
- 3. INSULATOR OVERHANG ILM FRAME.
- 4. PARTS ARE COMPLIANT TO RoHS DIRECTIVE 2002/95/EC AND ELV 2000/53/EC.
- 5. PARTS ARE HALOGEN FREE.

BILL OF MATERIAL (47596-8855)			
ITEM NO	Q'TY	DESCRIPTION	MATERIAL
	1	ILM TOP ASSY WITHOUT SCREW	
①	1	ILM LEVER	STAINLESS STEEL
②	1	ILM LOAD PLATE	SUS430
③	1	ILM FRAME	STEEL WITH NICKEL PLATING
④	1	ILM FRAME INSULATOR	POLYCARBONATE FILM

ENTER DESCRIPTION EC NO: SH2012-0210 DRWN: ZHANG11 2012/01/05 CHKD: APPR: AYIN 2012/02/02	QUALITY SYMBOLS	GENERAL TOLERANCES (UNLESS SPECIFIED)	DIMENSION STYLE	SCALE	DESIGN UNITS	THIRD ANGLE PROJECTION	
	$F_A=0$	4 PLACES ± --- ± ---	MM ONLY	1:1	METRIC	⊙	
	$F_C=0$	3 PLACES ± --- ± ---	mm INCH	DRAWN BY DATE	TITLE		
	$F_B=0$	2 PLACES ± 0.10 ± ---	mm INCH	JKACHLIC 2008/01/10	115X ILM TOP ASSY SUS430		
	1 PLACE ± 0.25 ± ---	ANGULAR ± ---°	APPROVED BY DATE	MOLEX MOLEX INCORPORATED			
			AYIN 2010/12/10	DOCUMENT NO. SD-47596-003			
		DRAFT WHERE APPLICABLE MUST REMAIN WITHIN DIMENSIONS	MATERIAL NO.	SHEET NO. 1 OF 2			
			SEE TABLE	THIS DRAWING CONTAINS INFORMATION THAT IS PROPRIETARY TO MOLEX INCORPORATED AND SHOULD NOT BE USED WITHOUT WRITTEN PERMISSION			

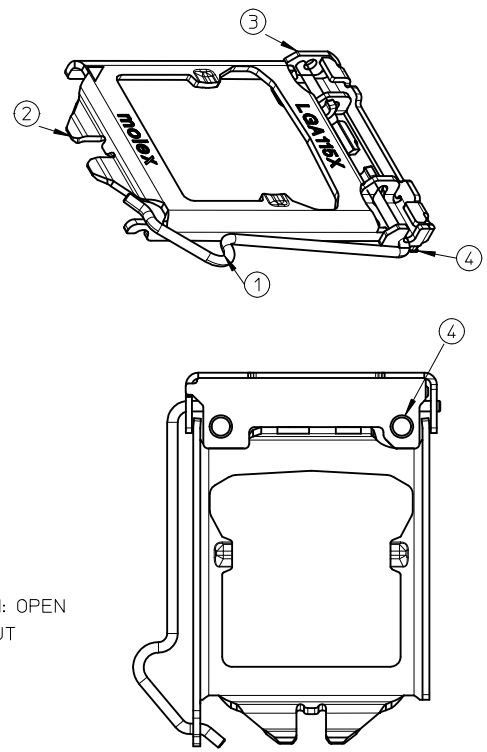
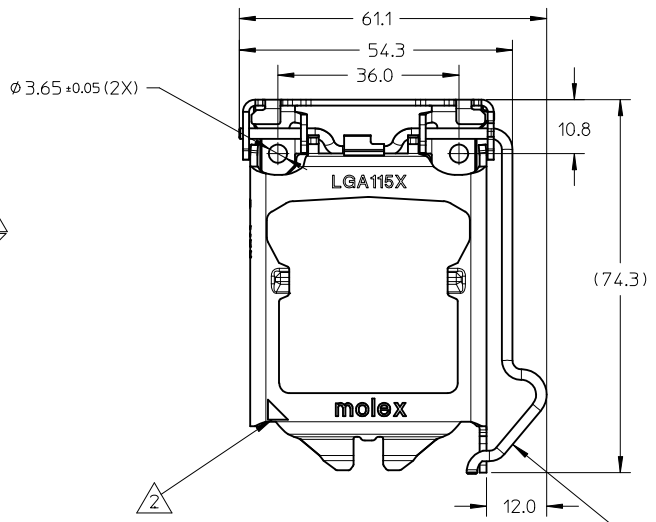
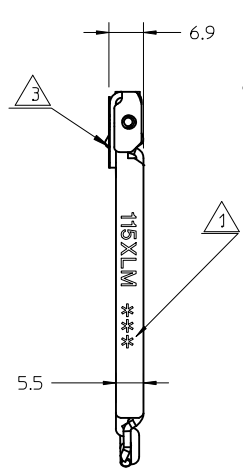
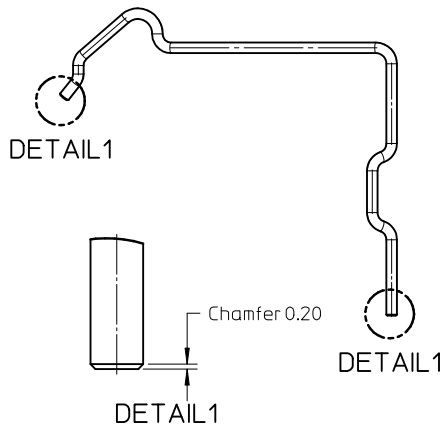
47596-8855	WITHOUT ILM PNP COVER
PART NO.	DESCRIPTION



BILL OF MATERIAL (47596-8755)			
ITEM NO	Q'TY	DESCRIPTION	MATERIAL
	1	ILM TOP ASSY WITHOUT SCREW	
①	1	ILM LEVER	STAINLESS STEEL
②	1	ILM LOAD PLATE	SUS430
③	1	ILM FRAME	STEEL WITH NICKEL PLATING
④	1	ILM FRAME INSULATOR	POLYCARBONATE FILM
⑤	1	ILM PNP COVER	PC/ABS

47596-8755	WITH ILM PNP COVER
PART NO.	DESCRIPTION

ENTER DESCRIPTION EC NO: SHZ012-0210 DRWN: ZHANG11 CHKD: APPR: AYIN 2012/01/05 2012/02/02	QUALITY SYMBOLS $F_A=0$ $F_C=0$ $F_P=0$	GENERAL TOLERANCES (UNLESS SPECIFIED)		DIMENSION STYLE MM ONLY		SCALE 1:1	DESIGN UNITS METRIC	THIRD ANGLE PROJECTION	
				DRAWN BY JGU007	DATE 2008/01/10	TITLE 115X ILM TOP ASSY SUS430			
				CHECKED BY JKACH LIC	DATE 2008/01/10	APPROVED BY AYIN			
				ANGULAR \pm ---°		DATE 2010/12/10	MOLEX INCORPORATED		DOCUMENT NO. SD-47596-003
DRAFT WHERE APPLICABLE MUST REMAIN WITHIN DIMENSIONS				SEE TABLE		THIS DRAWING CONTAINS INFORMATION THAT IS PROPRIETARY TO MOLEX INCORPORATED AND SHOULD NOT BE USED WITHOUT WRITTEN PERMISSION			



LEVER POSITION: OPEN
PUSH LEVER OUT
TO UNLOCK

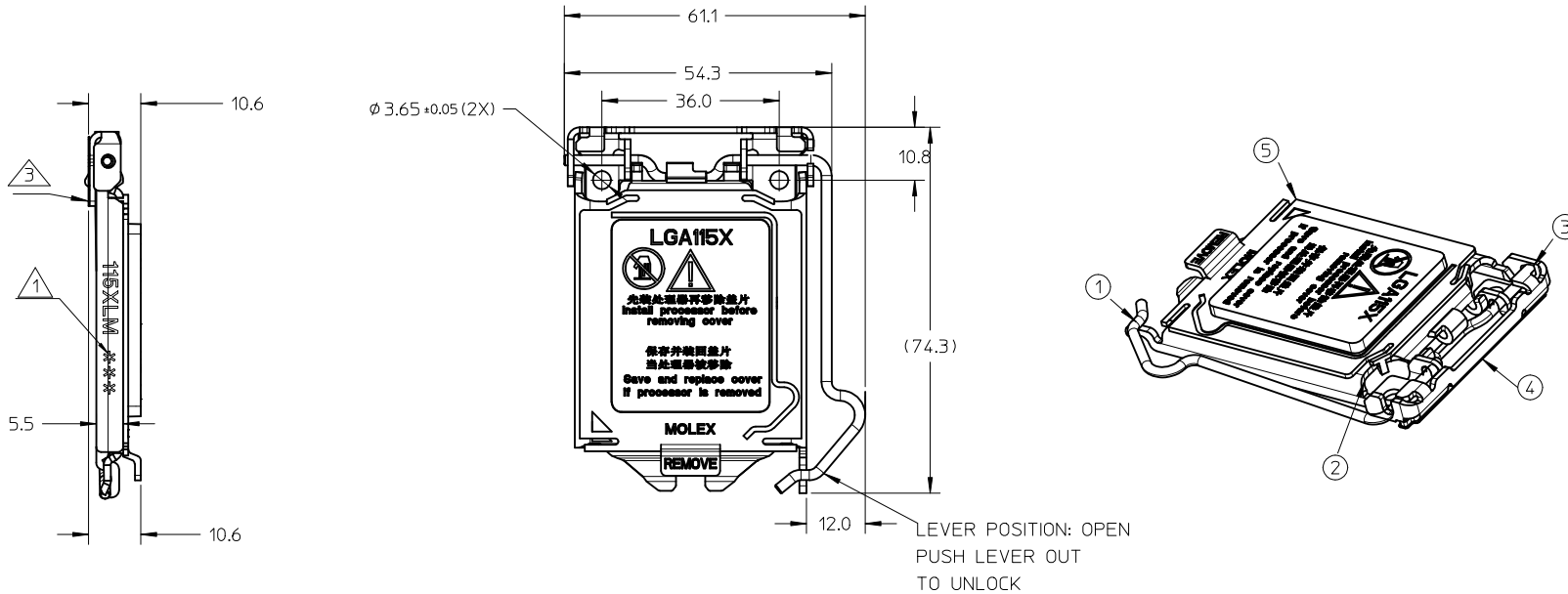
NOTES:

- 1. INK PRINTED DATE CODE: * * *
 * WORKING DAY
 * WORKING MONTH
 * WORKING YEAR
- 2. AREA FILLED WITH BLACK INK.
- 3. INSULATOR OVERHANG ILM FRAME.
- 4. PARTS ARE COMPLIANT TO RoHS DIRECTIVE 2002/95/EC AND ELV 2000/53/EC.
- 5. PARTS ARE HALOGEN FREE.

BILL OF MATERIAL (47596-8855)			
ITEM NO	Q'TY	DESCRIPTION	MATERIAL
	1	ILM TOP ASSY WITHOUT SCREW	
①	1	ILM LEVER	STAINLESS STEEL
②	1	ILM LOAD PLATE	SUS430
③	1	ILM FRAME	STEEL WITH NICKEL PLATING
④	1	ILM FRAME INSULATOR	POLYCARBONATE FILM

ENTER DESCRIPTION EC NO: SH2012-0210 DRWN: ZHANG11 2012/01/05 CHKD: APPR: AYIN 2012/02/02	QUALITY SYMBOLS	GENERAL TOLERANCES (UNLESS SPECIFIED)	DIMENSION STYLE	SCALE	DESIGN UNITS	THIRD ANGLE PROJECTION
	$F_A=0$ $F_C=0$ $F_D=0$	mm INCH 4 PLACES ± --- ± --- 3 PLACES ± --- ± --- 2 PLACES ± 0.10 ± --- 1 PLACE ± 0.25 ± --- ANGULAR ± ---°	MM ONLY	1:1	METRIC	☉
	DRAWN BY: JGU007 CHECKED BY: JKACHLIC APPROVED BY: AYIN	DATE: 2008/01/10 DATE: 2008/01/10 DATE: 2010/12/10	TITLE	115X ILM TOP ASSY SUS430		
	DRAFT WHERE APPLICABLE MUST REMAIN WITHIN DIMENSIONS		SEE TABLE	MOLEX INCORPORATED		SD-47596-003

47596-8855	WITHOUT ILM PNP COVER
PART NO.	DESCRIPTION



BILL OF MATERIAL (47596-8755)			
ITEM NO	Q'TY	DESCRIPTION	MATERIAL
	1	ILM TOP ASSY WITHOUT SCREW	
①	1	ILM LEVER	STAINLESS STEEL
②	1	ILM LOAD PLATE	SUS430
③	1	ILM FRAME	STEEL WITH NICKEL PLATING
④	1	ILM FRAME INSULATOR	POLYCARBONATE FILM
⑤	1	ILM PNP COVER	PC/ABS

47596-8755	WITH ILM PNP COVER
PART NO.	DESCRIPTION

ENTER DESCRIPTION EC NO: SH2012-0210 DRWN: ZHANG11 CHKD: APPR: AYIN 2012/01/05 2012/02/02	QUALITY SYMBOLS $F_A=0$ $F_C=0$ $F_P=0$	GENERAL TOLERANCES (UNLESS SPECIFIED)		DIMENSION STYLE MM ONLY		SCALE 1:1	DESIGN UNITS METRIC	THIRD ANGLE PROJECTION		
		4 PLACES	\pm ---	\pm ---	DRAWN BY	DATE	TITLE			
		3 PLACES	\pm ---	\pm ---	JGU007	2008/01/10	115X ILM TOP ASSY SUS430			
2 PLACES	± 0.10	\pm ---	CHECKED BY	DATE	MATERIAL NO.					
1 PLACE	± 0.25	\pm ---	JKACHLIC	2008/01/10	DOCUMENT NO.					
ANGULAR \pm ---		$^\circ$	APPROVED BY	DATE	SHEET NO.					
			AYIN	2010/12/10	2 OF 2					
DRAFT WHERE APPLICABLE MUST REMAIN WITHIN DIMENSIONS		SEE TABLE		THIS DRAWING CONTAINS INFORMATION THAT IS PROPRIETARY TO MOLEX INCORPORATED AND SHOULD NOT BE USED WITHOUT WRITTEN PERMISSION		MOLEX INCORPORATED				
						SD-47596-003				