

# Features

- Ultra wide 4:1 input range (36-160VDC)
- Certified for Railway applications (EN50155)
- -40°C to +105°C operating temperature with derating
- Input under voltage lockout
- Output OVLO, short circuit and OLP
- 3kVAC/1min. reinforced isolation
- Remote On/Off

# Regulated Converter



## RP10-RAW

**10 Watt  
DIP24  
Single and Dual  
Output**



UL62368-1 certified  
CAN/CSA-C22.2 No. 62368-1-14 certified  
IEC/EN62368-1-1 certified  
EN50155 compliant  
EN50121-3-2 compliant  
EN55032 compliant

## Description

The RP10-RAW series DC/DC converters are designed for railway rolling stock applications with an extra wide continuous input voltage range of 36-160VDC (200VDC for 1s), making them suitable for 72V, 96V and 110VDC railway systems, but they are also suitable for non-railway high voltage battery applications. They offer single or dual outputs from 3.3V up to ±15V. The high efficiency permits an ambient temperature range from -40°C to more than 75°C without derating, forced cooling, or the need for heatsinks. The RP10-RAW series features UVLO, OVP, SCP, and OLP making them ideal for many harsh railway and industrial applications such as powering IoT sensors, battery management systems, or electric fork-lift trucks. The RP10-RAW is available in an industry standard, compact DIP24 package and comes with a 3 year warranty.

## Selection Guide

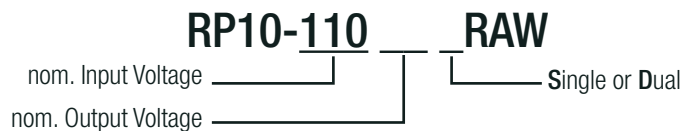
Part Number	Input Voltage Range [VDC]	nom. Output Voltage [VDC]	Output Current [mA]	Efficiency typ. <sup>(1)</sup> [%]	max. Capacitive Load <sup>(2)</sup> [µF]
RP10-1103.3SRAW	36-160	3.3	2500	83	3000
RP10-11005SRAW	36-160	5	2000	87	2500
RP10-1105.1SRAW	36-160	5.1	2000	87	2500
RP10-11012SRAW	36-160	12	830	87.5	430
RP10-11015SRAW	36-160	15	670	88	350
RP10-11024SRAW	36-160	24	416	87.5	125
RP10-11005DRAW	36-160	±5	±1000	84	±1440
RP10-11012DRAW	36-160	±12	±416	87	±250
RP10-11015DRAW	36-160	±15	±333	87	±180

### Notes:

Note1: Efficiency is tested at nominal  $V_{IN}$ , full load and 25°C

Note2: Max. Cap load is tested at minimum input and constant resistive load

## Model Numbering



### Ordering Examples

RP10-1103.3SRAW	nom. $V_{IN}$ = 110VDC	nom. $V_{OUT}$ = 3.3VDC	single output
RP10-11012DRAW	nom. $V_{IN}$ = 110VDC	nom. $V_{OUT}$ = ±12VDC	dual output

**Specifications** (measured @  $T_a = 25^\circ\text{C}$ , nom.  $V_{in}$ , full load unless otherwise stated)

**BASIC CHARACTERISTICS**

Parameter	Condition	Min.	Typ.	Max.
Internal Input Filter				Pi-Type
Input Voltage Range	nom. $V_{in} = 110\text{VDC}$	36VDC	110VDC	160VDC
Input Surge Voltage	1s max.			200VDC
Under Voltage Lockout (UVLO)	DC-DC ON			36VDC
	DC-DC OFF	32VDC	34VDC	35.8VDC
Quiescent Current			6mA	
Output Voltage Trimming	refer to "OUTPUT VOLTAGE TRIMMING"	others	-10%	+10%
		nom. $V_{out} = 15/24\text{VDC}$	-10%	+20%
Minimum Load		0%		
Start-up Time	constant resistive load	Power up	30ms	60ms
		CTRL ON/OFF	30ms	60ms
ON/OFF CTRL <sup>(3)</sup> refer to "ON/OFF CTRL"	DC-DC ON		Open or $3\text{VDC} < V_{CTRL} < 12\text{VDC}$	
	DC-DC OFF		Short or $0\text{VDC} < V_{CTRL} < 1.2\text{VDC}$	
Input Current of CTRL pin		-0.5mA		+0.5mA
Standby Current	DC-DC OFF		2.5mA	
Internal Operating Frequency		270kHz	300kHz	330kHz
Output Ripple and Noise <sup>(4)</sup>	20MHz BW	nom. $V_{out} = 3.3/5\text{VDC}$	50mVp-p	
		nom. $V_{out} = 12/15\text{VDC}$	75mVp-p	
		nom. $V_{out} = 24\text{VDC}$	75mVp-p	

**Notes:**

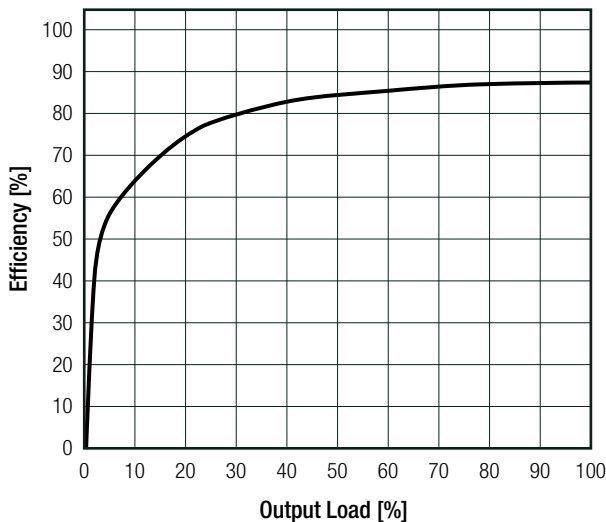
Note3: The ON/OFF control function is positive logic. The pin voltage is referenced to -Vin pin

Note4: Measured with: nom.  $V_{out} = 3.3/5/12/15\text{VDC} = 10\mu\text{F}/25\text{V X7R MLCC}$   
nom.  $V_{out} = 24\text{VDC} = 4.7\mu\text{F}/50\text{V X7R MLCC}$

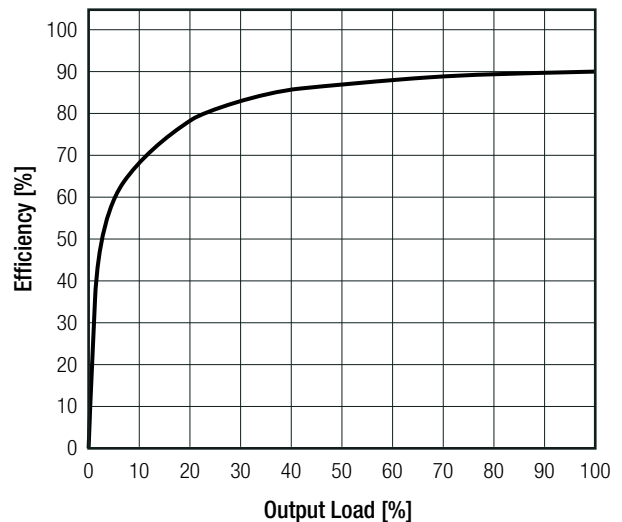
**Efficiency vs. Load**

(@ nom.  $V_{in} = 110\text{VDC}$ )

**RP10-11005SRAW**



**RP10-11012SRAW**

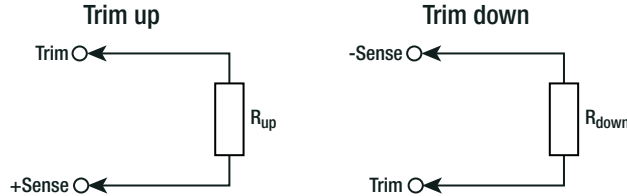


continued on next page

**Specifications** (measured @  $T_{amb}=25^{\circ}\text{C}$ , nom.  $V_{in}$ , full load unless otherwise stated)

### OUTPUT VOLTAGE TRIMMING

RP10-RAW converter offer the feature of trimming the output voltage over a certain range around the nominal value by using external trim resistors. The values for trim resistors shown in trim tables below are according to standard E96 values; therefore, the specified voltage may slightly vary; they also can be calculated with below shown equation.



- $V_{out_{nom}}$  = nominal output voltage [VDC]
- $V_{out_{set}}$  = output voltage change [VDC]
- $V_{ref}$  = reference voltage [VDC]
- $R_{up}$  = trim up resistor [ $\Omega$ ]
- $R_{down}$  = trim down resistor [ $\Omega$ ]
- $R_1, R_2, R_3$  = internal resistors [ $\Omega$ ]

**Calculation:**

$$R_{up} = \frac{(R_1 \times V_{ref})}{(V_{out_{set}} - V_{ref} - R_3)} - R_2$$

$$R_{down} = \frac{(V_{out_{set}} - V_{ref}) \times R_1}{(V_{out_{nom}} - V_{out_{set}})} - R_2$$

**Practical Example RP10-1103.3SRAW trim up +1%**

$V_{out_{nom}} = 3.3\text{V}$ ,  $V_{out_{set}} = +1\%$  (3.333VDC)

$$R_{up} = \frac{(5110 \times 2.5)}{(3.333 - 2.5 - 0.8)} - 2050 = 385071\Omega$$

$R_{up}$  according to E96  $\approx$  **383k $\Omega$**

**Single Output**

$V_{out_{nom}}$	$R_1$ [ $\Omega$ ]	$R_2$ [ $\Omega$ ]	$R_3$ [ $\Omega$ ]	$V_{ref}$ [VDC]
3.3VDC	5110	2050	0.8	2.5
5VDC			2.5	
5.1VDC			2.6	
12VDC	10000	5110	9.5	
15VDC			12.5	
24VDC			21.5	

**Dual Output**

$V_{out_{nom}}$	$R_1$ [ $\Omega$ ]	$R_2$ [ $\Omega$ ]	$R_3$ [ $\Omega$ ]	$V_{ref}$ [VDC]
5VDC	3000	3000	7.5	2.5
12VDC	56000	13000	21.5	
15VDC	30000	13000	27.5	

**Practical Example RP10-11015SRAW trim down -8%**

$V_{out_{nom}} = 15\text{V}$ ,  $V_{out_{set}} = -8\%$  (13.8VDC)

$$R_{down} = \frac{(13.8 - 2.5) \times 10000}{(15 - 13.8)} - 5110 = 89057\Omega$$

$R_{down}$  according to E96  $\approx$  **88k $\Omega$**

**RP10-1103.3SRAW**

Trim up	1	2	3	4	5	6	7	8	9	10	[%]
$V_{out_{set}} =$	3.333	3.366	3.399	3.432	3.465	3.498	3.531	3.564	3.597	3.63	[VDC]
$R_{up}$ (E96) $\approx$	383k	191k	127k	95k3	75k	61k9	53k6	46k4	41k2	36k5	[ $\Omega$ ]

Trim down	1	2	3	4	5	6	7	8	9	10	[%]
$V_{out_{set}} =$	3.267	3.234	3.201	3.168	3.135	3.102	3.069	3.036	3.003	2.97	[VDC]
$R_{up}$ (E96) $\approx$	118k	54k9	34k	23k7	17k4	13k3	10k5	8k25	6k65	5k23	[ $\Omega$ ]

**RP10-11005SRAW**

Trim up	1	2	3	4	5	6	7	8	9	10	[%]
$V_{out_{set}} =$	5.05	5.10	5.15	5.20	5.25	5.30	5.35	5.4	5.45	5.50	[VDC]
$R_{up}$ (E96) $\approx$	255k	127k	82k5	61k9	48k7	40k2	34k8	30k1	26k1	23k7	[ $\Omega$ ]

Trim down	1	2	3	4	5	6	7	8	9	10	[%]
$V_{out_{set}} =$	4.95	4.90	4.85	4.80	4.75	4.70	4.65	4.60	4.55	4.50	[VDC]
$R_{up}$ (E96) $\approx$	249k	121k	78k7	56k2	44k2	35k7	29k4	24k9	21k	18k2	[ $\Omega$ ]

continued on next page

Specifications (measured @  $T_{amb} = 25^{\circ}\text{C}$ , nom.  $V_{in}$ , full load unless otherwise stated)

### OUTPUT VOLTAGE TRIMMING

#### RP10-1105.1SRAW

Trim up	1	2	3	4	5	6	7	8	9	10	[%]
$V_{out\text{set}} =$	5.151	5.202	5.253	5.304	5.355	5.406	5.457	5.508	5.559	5.610	[VDC]
$R_{up} (E96) \approx$	249k	124k	806k	604k	475k	392k	34k	29k4	25k5	23k2	[ $\Omega$ ]
Trim down	1	2	3	4	5	6	7	8	9	10	[%]
$V_{out\text{set}} =$	5.049	4.998	4.947	4.869	4.845	4.794	4.743	4.692	4.641	4.590	[VDC]
$R_{up} (E96) \approx$	255k	124k	80k6	57k6	45k3	36k5	30k1	25k5	21k5	18k7	[ $\Omega$ ]

#### RP10-11012SRAW

Trim up	1	2	3	4	5	6	7	8	9	10	[%]
$V_{out\text{set}} =$	12.12	12.24	12.36	12.48	12.60	12.72	12.84	12.96	13.08	13.20	[VDC]
$R_{up} (E96) \approx$	205k	100k	64k9	47k5	36k5	29k4	24k9	21k	17k9	15k8	[ $\Omega$ ]
Trim down	1	2	3	4	5	6	7	8	9	10	[%]
$V_{out\text{set}} =$	11.88	11.76	11.64	11.52	11.40	11.28	11.16	11.04	10.92	10.8	[VDC]
$R_{up} (E96) \approx$	768k	383k	249k	182k	143k	118k	97k6	84k5	73k2	63k4	[ $\Omega$ ]

#### RP10-11015SRAW

Trim up	1	2	3	4	5	6	7	8	9	10	[%]
$V_{out\text{set}} =$	15.15	15.3	15.45	15.60	15.75	15.90	16.05	16.20	16.35	16.50	[VDC]
$R_{up} (E96) \approx$	162k	78k7	49k9	36k5	28k	22k6	1k87	15k8	13k3	11k5	[ $\Omega$ ]
Trim up	11	12	13	14	15	16	17	18	19	20	[%]
$V_{out\text{set}} =$	16.650	16.800	16.950	17.100	17.250	17.400	17.550	17.700	17.850	18.000	[VDC]
$R_{up} (E96) \approx$	10k	8k87	7k68	6k81	6k04	5k36	4k64	4k12	3k65	3k24	[ $\Omega$ ]
Trim down	1	2	3	4	5	6	7	8	9	10	[%]
$V_{out\text{set}} =$	14.85	14.70	14.55	14.40	14.25	14.1	13.95	13.8	13.65	13.5	[VDC]
$R_{up} (E96) \approx$	825k	402k	261k	191k	150k	124k	105	88k7	76k8	68k1	[ $\Omega$ ]

#### RP10-11024SRAW

Trim up	1	2	3	4	5	6	7	8	9	10	[%]
$V_{out\text{set}} =$	24.240	24.480	24.720	24.960	25.200	25.440	25.680	25.920	26.160	26.400	[VDC]
$R_{up} (E96) \approx$	576k	280k	182k	133k	105k	84k5	69k8	60k4	52k3	45k3	[ $\Omega$ ]
Trim up	11	12	13	14	15	16	17	18	19	20	[%]
$V_{out\text{set}} =$	26.640	26.880	27.120	27.360	27.600	27.840	28.080	28.320	28.560	28.800	[VDC]
$R_{up} (E96) \approx$	40k2	35k7	31k6	28k7	26k1	23k7	21k5	19k6	17k9	16k2	[ $\Omega$ ]
Trim down	1	2	3	4	5	6	7	8	9	10	[%]
$V_{out\text{set}} =$	23.760	23.520	23.280	23.040	22.800	22.560	22.320	22.080	21.840	21.600	[VDC]
$R_{up} (E96) \approx$	4990k	2430k	1620k	1180k	931k	768k	649k	562k	487k	432k	[ $\Omega$ ]

#### RP10-11005DRAW

Trim up	1	2	3	4	5	6	7	8	9	10	[%]
$V_{out\text{set}} =$	$\pm 5.05$	$\pm 5.10$	$\pm 5.15$	$\pm 5.20$	$\pm 5.25$	$\pm 5.30$	$\pm 5.35$	$\pm 5.4$	$\pm 5.45$	$\pm 5.50$	[VDC]
$R_{up} (E96) \approx$	71k5	34k8	22k1	15k8	12k1	95k3	7k68	6k34	5k36	4k53	[ $\Omega$ ]
Trim down	1	2	3	4	5	6	7	8	9	10	[%]
$V_{out\text{set}} =$	$\pm 4.95$	$\pm 4.90$	$\pm 4.85$	$\pm 4.80$	$\pm 4.75$	$\pm 4.70$	$\pm 4.65$	$\pm 4.60$	$\pm 4.55$	$\pm 4.50$	[VDC]
$R_{up} (E96) \approx$	221k	107k	69k8	49k9	39k2	31k6	26k1	22k1	19k1	16k5	[ $\Omega$ ]

continued on next page

Specifications (measured @  $T_{amb}=25^{\circ}\text{C}$ , nom.  $V_{in}$ , full load unless otherwise stated)

**OUTPUT VOLTAGE TRIMMING**

**RP10-11012DRAW**

Trim up	1	2	3	4	5	6	7	8	9	10	[%]
$V_{out\text{set}} =$	$\pm 12.12$	$\pm 12.24$	$\pm 12.36$	$\pm 12.48$	$\pm 12.60$	$\pm 12.72$	$\pm 12.84$	$\pm 12.96$	$\pm 13.08$	$\pm 13.20$	[VDC]
$R_{up} (E96) \approx$	576k	280k	182k	133k	105k	84k5	69k8	60k4	52k3	45k3	[ $\Omega$ ]

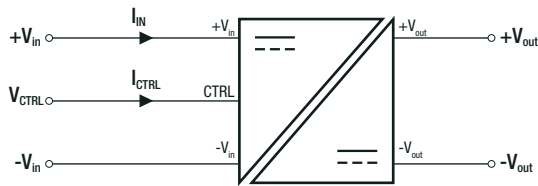
Trim down	1	2	3	4	5	6	7	8	9	10	[%]
$V_{out\text{set}} =$	$\pm 11.88$	$\pm 11.76$	$\pm 11.64$	$\pm 11.52$	$\pm 11.40$	$\pm 11.28$	$\pm 11.16$	$\pm 11.04$	$\pm 10.92$	$\pm 10.8$	[VDC]
$R_{up} (E96) \approx$	4990k	2430k	1620k	1180k	931k	768k	649k	562k	487k	432k	[ $\Omega$ ]

**RP10-11015DRAW**

Trim up	1	2	3	4	5	6	7	8	9	10	[%]
$V_{out\text{set}} =$	$\pm 15.15$	$\pm 15.3$	$\pm 15.45$	$\pm 15.60$	$\pm 15.75$	$\pm 15.90$	$\pm 16.05$	$\pm 16.20$	$\pm 16.35$	$\pm 16.50$	[VDC]
$R_{up} (E96) \approx$	237k	113k	69k8	49k9	37k4	28k7	22k6	18k2	14k7	12k1	[ $\Omega$ ]

Trim down	1	2	3	4	5	6	7	8	9	10	[%]
$V_{out\text{set}} =$	$\pm 14.85$	$\pm 14.70$	$\pm 14.55$	$\pm 14.40$	$\pm 14.25$	$\pm 14.1$	$\pm 13.95$	$\pm 13.8$	$\pm 13.65$	$\pm 13.5$	[VDC]
$R_{up} (E96) \approx$	2740k	1330k	866k	649k	511k	412k	348k	301k	261k	232k	[ $\Omega$ ]

**ON/OFF CTRL**



Positive Logic	DC-DC ON	Open or $3\text{VDC} < V_{CTRL} < 12\text{VDC}$
	DC-DC OFF	Open or $0\text{VDC} < V_{CTRL} < 1.2\text{VDC}$

**REGULATIONS**

Parameter	Condition		Value
Output Accuracy			$\pm 1.0\%$
Line Regulation	low line to high line, full load	Single	$\pm 0.2\%$
		Dual	$\pm 0.5\%$
Load Regulation	0% to 100% load	Single	$\pm 0.2\%$
		Dual	$\pm 1.0\%$
Cross Regulation	asymmetrical 25%-100% load		$\pm 5.0\%$
Transient Response Recovery Time	25% load step change		250 $\mu\text{s}$ typ.

**PROTECTIONS**

Parameter	Condition		Value	
Short Circuit Protection (SCP)			continuous, automatic recovery	
Over Voltage Protection (OVP)	zener diode clamp	Single	nom. $V_{OUT} = 3.3\text{VDC}$	3.7-5VDC
			nom. $V_{OUT} = 5/5.1\text{VDC}$	6-7VDC
			nom. $V_{OUT} = 12\text{VDC}$	13.5-16VDC
			nom. $V_{OUT} = 15\text{VDC}$	18.3-22VDC
			nom. $V_{OUT} = 24\text{VDC}$	29.1-34.5VDC
		Dual	nom. $V_{OUT} = \pm 5\text{VDC}$	5.6-7VDC
			nom. $V_{OUT} = \pm 12\text{VDC}$	13.5-18.2VDC
		nom. $V_{OUT} = \pm 15\text{VDC}$	17-22VDC	

continued on next page

**Specifications** (measured @  $T_{amb}= 25^{\circ}\text{C}$ , nom.  $V_{in}$ , full load unless otherwise stated)

Parameter	Condition	Value
Over Load Protection (OLP)	% of lout rated; Hiccup mode	150% max.
Isolation Voltage <sup>(5)</sup>	I/P to O/P 1 minute	3kVAC
Isolation Resistance	$V_{ISO}= 500\text{VDC}$	1GΩ min.
Isolation Capacitance		1000pF max.
Insulation Grade		reinforced
<b>Notes:</b>		
Note4: This power module is not internally fused. An input line fuse must always be used. Recom suggests: nom. $V_{IN}= 110\text{VDC} = T0.63\text{A}$ slow blow		
Note5: For repeat Hi-Pot testing, reduce the time and/or the test voltage		

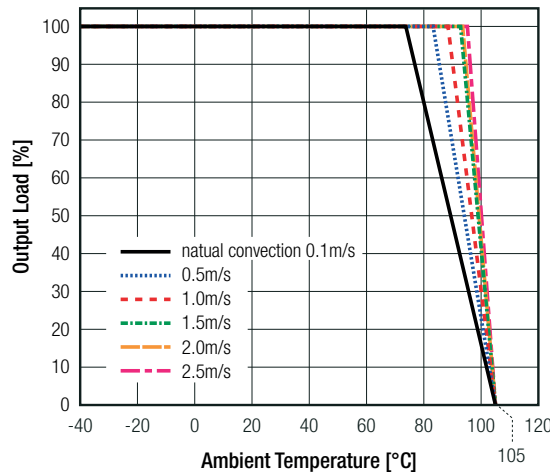
**ENVIRONMENTAL**

Parameter	Condition	Value
Operating Temperature Range	with derating (refer to "Derating Graph" )	-40°C to +105°C
Maximum Case Temperature	no load	+105°C
Temperature Coefficient		±0.02%/K
Thermal Impedance	@ natural convection 0.1m/s	18.31K/W
Operating Humidity		5% - 95% RH max.
Pollution Degree (PD)		PD2
Shock		according to MIL-STD-810F
Thermal Shock		according to EN61373, MIL-STD-810F
Vibration		according to EN61373, MIL-STD-810F
Environmental testing Part 2-1: Tests – Test A: Cold	Low temperature start-up test Class OT4: -40°C to +70°C	according to EN60068-2-1:2007
Environmental testing Part 2-2: Tests – Test B: Dry heat	Dry Heat Test Class OT4: -40°C to +70°C Class ST1: Test cycle B	according to EN60068-2-2:2007
Environmental testing Part 2-30: Tests - Test Db: Damp heat, cyclic (12 h + 12 h cycle)	Damp Heat Test Temperature: +25 to +55°C Humidity: 95% ±5% RH Test Duration: 48 hours	according to EN60068-2-30:2005
Railway applications - Fire protection on railway vehicles - Part 2: Requirements for fire behavior of materials and components		EN45545-2
Railway applications – Rolling stock equipment – Shock and vibration tests		EN61373:2010
MTBF	according to MIL-HDBK-217F, G.B	1648 x 10 <sup>3</sup> hours

**Derating Graph**

(@ Chamber and natural convection 0.1m/s)

**RP10-11005SRAW**



**Specifications** (measured @  $T_{amb}= 25^{\circ}\text{C}$ , nom.  $V_{in}$ , full load unless otherwise stated)

SAFETY AND CERTIFICATIONS		
Certificate Type (Safety)	Condition	Standard
Audio/video, information, and communication technology equipment. Safety requirements (CB)	221005301	IEC62368-1:2014 2nd Edition
Audio/video, information, and communication technology equipment. Safety requirements (LVD)		EN62368-1:2014+A11:2017
Audio/video, information, and communication technology equipment. Safety requirements	E196683	UL62368-1:2014 2nd Edition
		CAN/CSA-C22.2 No. 62368-1-14 2nd Edition
Railway applications - Electronic equipment used on rolling stock		EN50155:2017
RoHS2		RoHS 2011/65/EU + AM2015/863

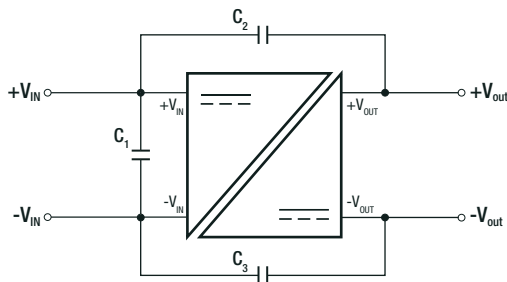
EMC Compliance according to EN50121-3-2	Condition	Standard / Criterion
Railway applications - Electromagnetic compatibility - Part 3-2: Rolling stock - Apparatus	without external components	EN50121-3-2
ESD Electrostatic discharge immunity test	Air: $\pm 8,4,2\text{kV}$ ; Contact $\pm 6,4\text{kV}$	EN61000-4-2, Criteria A
Radiated, radio-frequency, electromagnetic field immunity test	20V/m (80-1000MHz) 10V/m (1400-2000MHz) 5V/m (2000-2700MHz) 3V/m (5100-6000MHz)	EN61000-4-3, Criteria A
Fast Transient and Burst Immunity <sup>(6)</sup>	$\pm 2\text{kV}$	EN61000-4-4, Criteria A
Surge Immunity <sup>(6)</sup>	$\pm 0.5, 1, 2\text{kV}$	EN61000-4-5, Criteria A
Immunity to conducted disturbances, induced by radio-frequency fields	10V (0.15-80MHz)	EN61000-4-6, Criteria A
Power frequency magnetic field	100A/m 60s.; 1000A/m 1sec	EN61000-4-8, Criteria A

EMC Compliance according to EN55032/35	Condition	Standard / Criterion
Electromagnetic Compatibility of Multimedia Equipment - Emission Requirements	without external components	EN55032, Class A
	refer to "EMC Filtering"	EN55032, Class B
Electromagnetic compatibility of multimedia equipment – Immunity requirements		EN55035:2017
ESD Electrostatic discharge immunity test	Air: $\pm 8\text{kV}$ ; Contact $\pm 6\text{kV}$	EN61000-4-2, Criteria A
Radiated, radio-frequency, electromagnetic field immunity test	20V/m	EN61000-4-3, Criteria A
Fast Transient and Burst Immunity <sup>(6)</sup>	$\pm 2\text{kV}$	EN61000-4-4, Criteria A
Surge Immunity <sup>(6)</sup>	$\pm 2\text{kV}$	EN61000-4-5, Criteria A
Immunity to conducted disturbances, induced by radio-frequency fields	10Vrms	EN61000-4-6, Criteria A
Power frequency magnetic field	100A/m cont.; 1000A/m 1sec	EN61000-4-8, Criteria A

**Notes:**

Note6: An external input filter capacitor + TVS diode is required if the module has to meet EN61000-4-4 and EN61000-4-5.  
2pcs of aluminum E-cap to connect in parallel (220 $\mu\text{F}$ /200V), Recom suggest: Nippon Chemi-con KXJ series and TVS: 220V/600W

**EMC Filtering Suggestions according to EN55032/35**



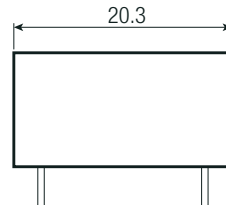
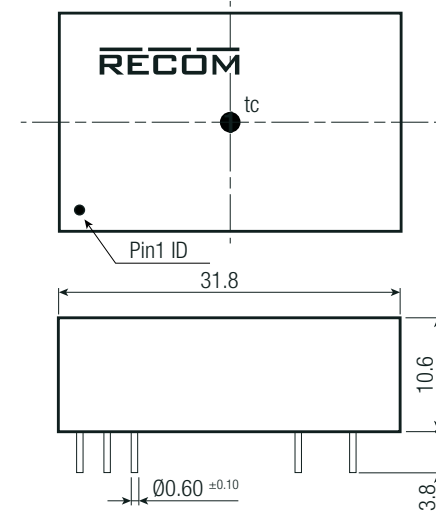
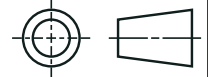
**Component List Class B**

C1	C2	C3
1 $\mu\text{F}$	330pF	680pF

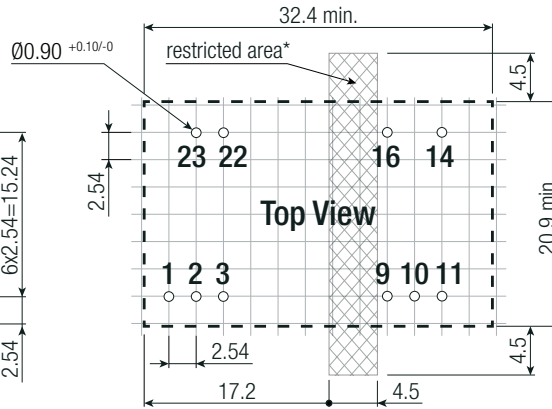
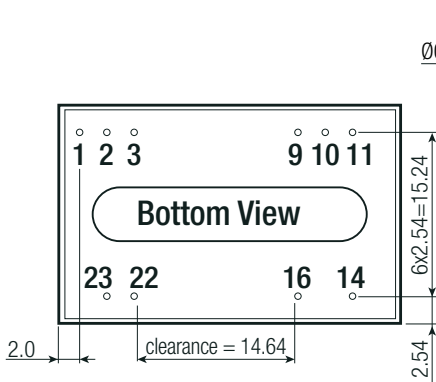
**Specifications** (measured @  $T_{amb}=25^{\circ}\text{C}$ , nom.  $V_{in}$ , full load unless otherwise stated)

Parameter	Type	Value
Material	case/baseplate potting	non-conductive black plastic silicone (UL94 V-0)
Dimensions (LxWxH)		31.8 x 20.3 x 10.6mm
Weight		14g typ.

**Dimension Drawing (mm)**



**Recommended Footprint Details**



\*A minimum of 4.5mm clearance and creepage is required between primary and secondary circuit to meet 2MOPP under IEC60601-1. No copper traces and/or components are allowed in this area if 2MOPP is required.

**Pinning Information**

Pin #	Single	Dual
1	CTRL <sup>(3)</sup>	CTRL <sup>(3)</sup>
2	-Vin	-Vin
3	-Vin	-Vin
9	NC	Com
10	Trim	Trim
11	NC	-Vout
14	+Vout	+Vout
16	-Vout	Com
22	+Vin	+Vin
23	+Vin	+Vin

NC= No Connection  
Tolerance: xx.x ±0.5mm  
          xx.xx ±0.25mm

**PACKAGING INFORMATION**

Parameter	Type	Value
Packaging Dimension (LxWxH)	tube	255.0 x 21.8 x 16.5mm
Packaging Quantity		7pcs
Storage Temperature Range		-55°C to +125°C
Storage Humidity	non-condensing	5% - 95% RH

The product information and specifications may be subject to changes even without prior written notice. The product has been designed for various applications; its suitability lies in the responsibility of each customer. The products are not authorized for use in safety-critical applications without RECOM's explicit written consent. A safety-critical application is an application where a failure may reasonably be expected to endanger or cause loss of life, inflict bodily harm or damage property. The applicant shall indemnify and hold harmless RECOM, its affiliated companies and its representatives against any damage claims in connection with the unauthorized use of RECOM products in such safety-critical applications.