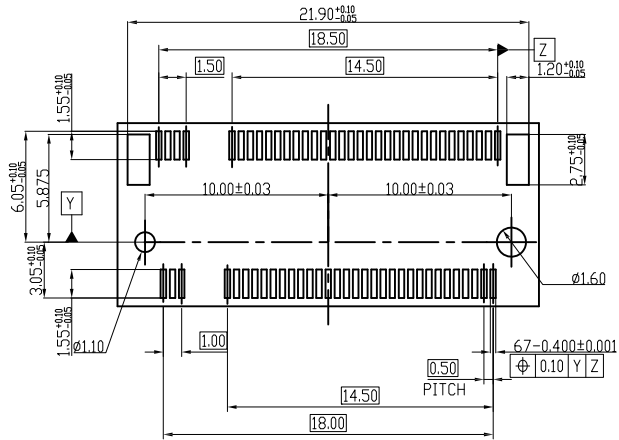
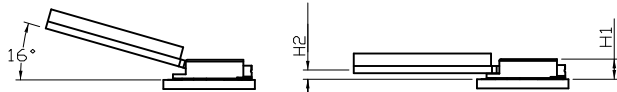


APPROVED: _____
 DATE: _____ TITLE: _____

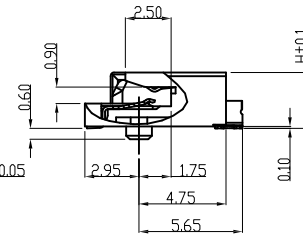
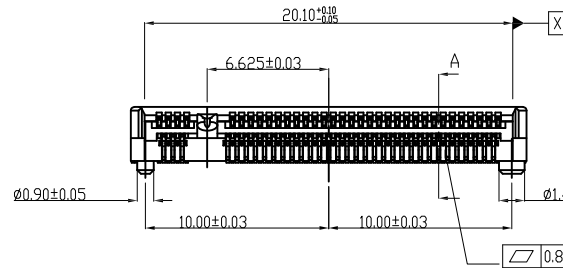
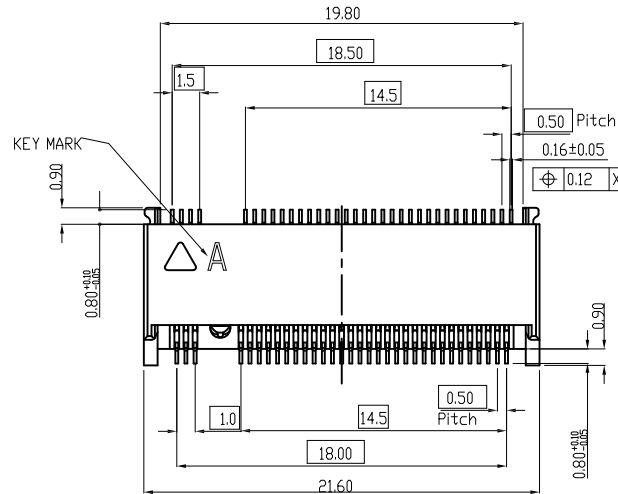
Rev	AWO #	Description	Date	Appr
-		RELEASED	1/27/21	
A		ADDED SPEC.	3/15/21	WX/JL
B		ADDED PACKING	12/9/21	JJ/RC



RECOMMENDED PCB LAYOUT



MATING CONDITION



SECTION A-A

PACKAGED ON TAPE & REEL

AWO #	DIM. "H"	DIM. "H1"	DIM. "H2"
M2-A1-67-R-SMT-2.15-KA-T/R	2.15MM	2.20MM	0.60MM
M2-A1-67-R-SMT-3.10-KA-T/R	3.10MM	3.15MM	1.90MM
M2-A1-67-R-SMT-4.10-KA-T/R	4.10MM	4.15MM	2.90MM
ADAM P/N			

SPECIFICATIONS:

Material:
 Insulator: (LCP) Hi-Temp Thermoplastic, rated UL 94V-0
 Insulator Color: Black
 Contacts: Phosphor Bronze
 Hold down: Brass, Nickel Plated
 Solder area: Tin plated

Plating:
 Gold flash over Nickel underplate overall

Electrical:
 Voltage rating: 50 VAC
 Current rating: 0.5A / (1Pin)
 Contact resistance: 55 mohms max
 Insulation resistance: 500 Mohms min
 Dielectric withstanding voltage: 300 VAC for 1 minute

Mechanical:
 Durability: 60 cycles min
 Insertion force: 20N max
 Withdrawal force: 25N
 Temperature Rating:
 Operating temperature: -40°C to +85°C

Environmental:
 Lead free, RoHS compliant



UNLESS OTHERWISE SPECIFIED
 ALL DIMENSIONS ARE MILLIMETERS
 TOLERANCES: EXCEPT AS NOTED

MM		ANGLE	
.X	± 0.30	X.	± 3°
.XX	± 0.20	.X	± 1°
.XXX	± 0.10		

ADAM TECH
 909 Rahway Avenue,
 Union, NJ 07083
 Phone: 908-687-5000
 Fax: 908-687-5710

DRAWN	OW	1/27/21
CHECKED	RC	1/27/21
APPROVED		

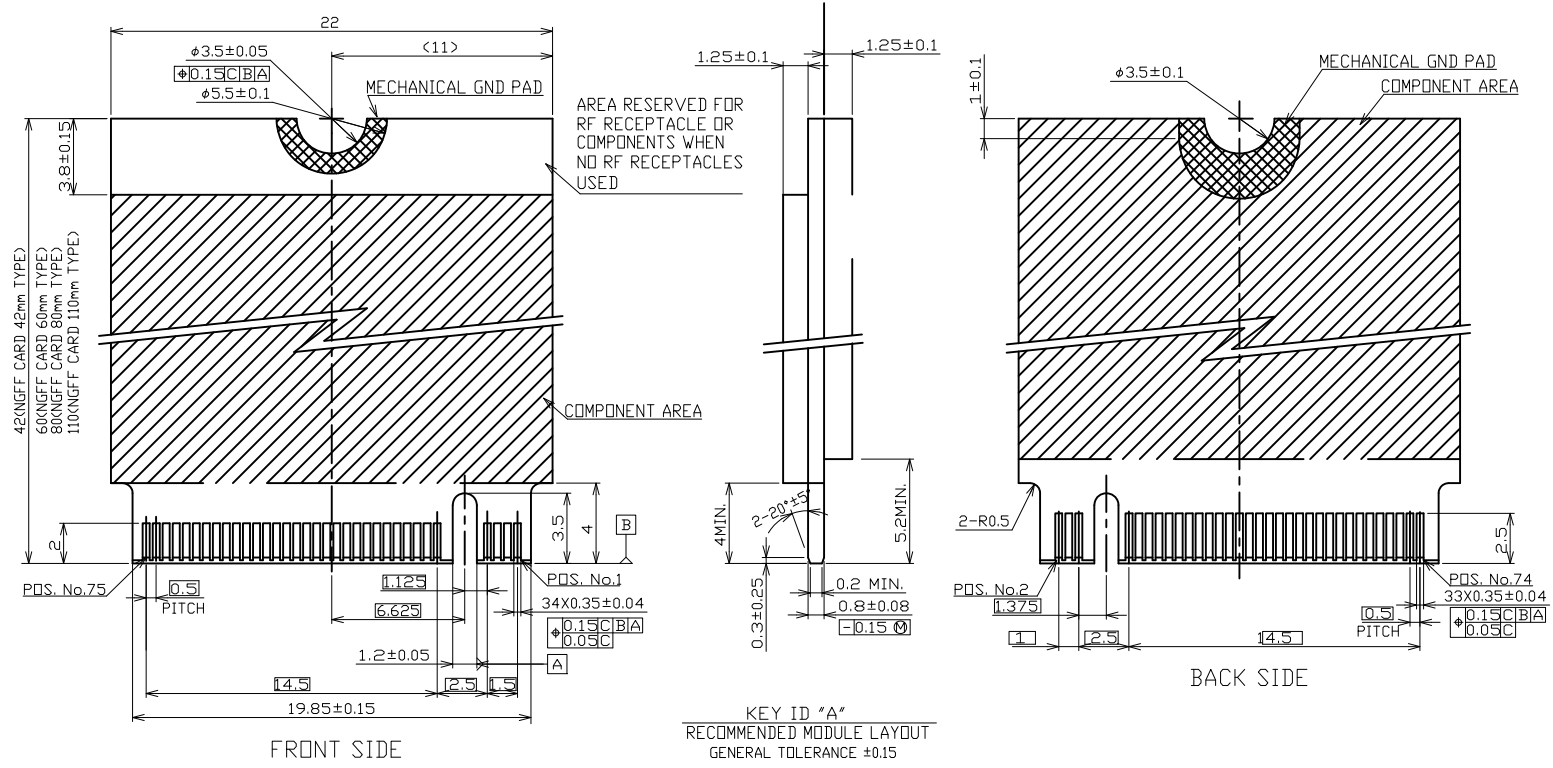
TITLE
**M.2 CONNECTOR, 67PINS, SMT TYPE,
 2.15, 3.10, 4.10MM HEIGHT, A KEY**

THIS DRAWING CONTAINS INFORMATION THAT IS PROPRIETARY AND SHOULD NOT BE USED WITHOUT PRIOR WRITTEN PERMISSION FROM ADAM TECH

SIZE X	PART NO. M2-A1-67-R-SMT-X.XX-KA-T/R	REV. B
REF: S00275T	SCALE: NTS	SHEET 1 OF 4

APPROVED: _____
 DATE: _____ TITLE: _____

Rev	AWO #	Description	Date	Appr
SEE SHT 1 OF 4 FOR REVISION				



UNLESS OTHERWISE SPECIFIED
 ALL DIMENSIONS ARE MILLIMETERS
 TOLERANCES: EXCEPT AS NOTED
 MM ANGLE
 .X ± 0.30 X. ± 3°
 .XX ± 0.20 .X ± 1°
 .XXX ± 0.10



909 Rahway Avenue,
 Union, NJ 07083
 Phone: 908-687-5000
 Fax: 908-687-5710

DRAWN	OW	1/27/21
CHECKED	RC	1/27/21
APPROVED		

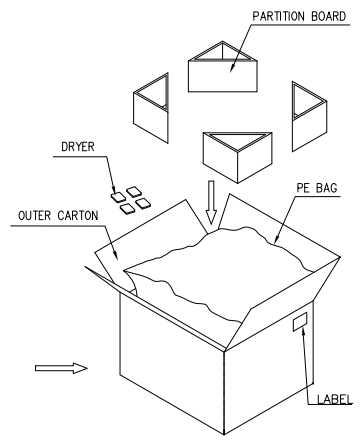
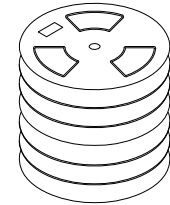
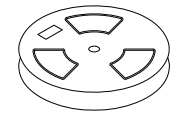
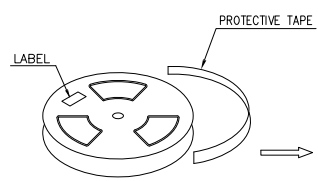
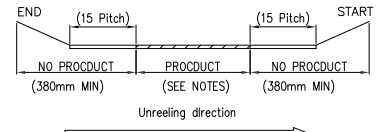
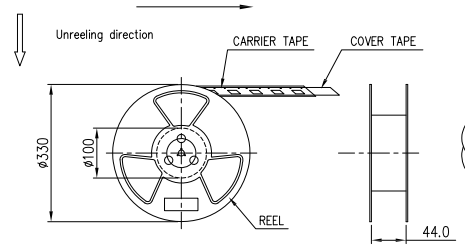
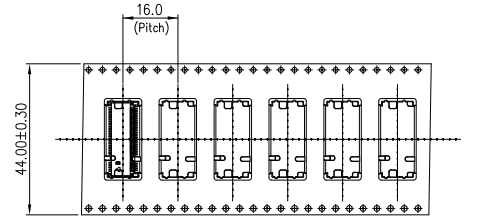
THIS DRAWING CONTAINS INFORMATION THAT IS PROPRIETARY AND SHOULD NOT BE USED WITHOUT PRIOR WRITTEN PERMISSION FROM ADAM TECH

TITLE	M.2 CONNECTOR, 67PINS, SMT TYPE, 2.15, 3.10, 4.10MM HEIGHT, A KEY		
SIZE	PART NO.	REV.	
X	M2-A1-67-R-SMT-X.XX-KA-T/R	B	
REF:	S00276T	SCALE:	NTS SHEET 2 OF 4

6	5	4	3	2	1
Rev	AWO #	Description	Date	Appr	
SEE SHT 1 OF 4 FOR REVISION					

APPROVED: _____
DATE: _____ TITLE: _____

M2-A1-67-R-SMT-2.15-KA-T/R



- NOTES:
- PACKING STYLE: 1,200 PCS/REEL
7,200 PCS/OUTER CARTON
 - MATERIAL: CARRIER TAPE: PS BLACK
COVER TAPE: PET FILM
REEL: PLASTIC
 - PEEL STRENGTH OF COVER TAPE: 20~80g
(PEEL SPEED 300mm/MINUTE)
 - CARTON SIZE: 350x350x320mm
 - G/W: Kg , N/W: Kg

UNLESS OTHERWISE SPECIFIED
ALL DIMENSIONS ARE MILLIMETERS
TOLERANCES: EXCEPT AS NOTED

MM	ANGLE
.X ± 0.30	X. ± 3°
.XX ± 0.20	.X ± 1°
.XXX ± 0.10	

ADAM TECH

909 Rahway Avenue,
Union, NJ 07083
Phone: 908-687-5000
Fax: 908-687-5710

DRAWN	OW	1/27/21
CHECKED	RC	1/27/21
APPROVED		
THIS DRAWING CONTAINS INFORMATION THAT IS PROPRIETARY AND SHOULD NOT BE USED WITHOUT PRIOR WRITTEN PERMISSION FROM ADAM TECH		

TITLE M.2 CONNECTOR, 67PINS, SMT TYPE, 2.15, 3.10, 4.10MM HEIGHT, A KEY		
SIZE X	PART NO. M2-A1-67-R-SMT-X.XX-KA-T/R	REV. B
REF: S00275T	SCALE: NTS	SHEET 3 OF 4

6

5

4

3

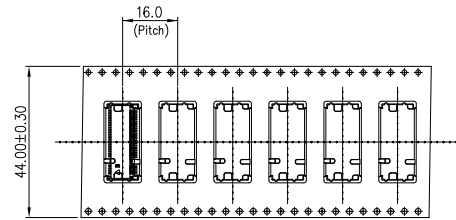
2

1

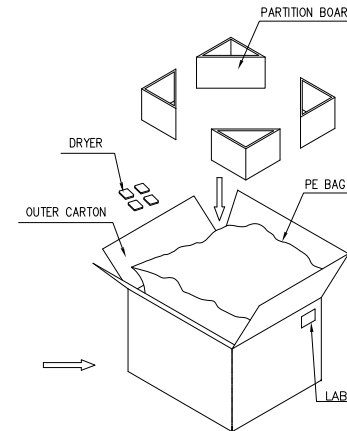
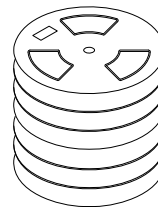
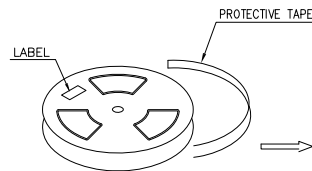
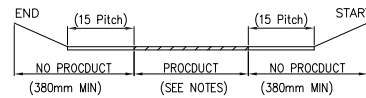
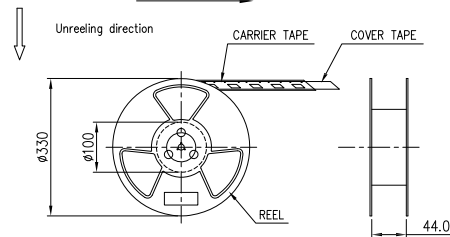
Rev	AWO #	Description	Date	Appr
SEE SHT 1 OF 4 FOR REVISION				

APPROVED: _____

DATE: _____ TITLE: _____



M2-A1-67-R-SMT-3.10-KA-T/R
M2-A1-67-R-SMT-4.10-KA-T/R



NOTES.

- PACKING STYLE: A) M2-043X0 (3.1H)
900 PCS/REEL
5,400 PCS/OUTER CARTON

B) M2-044X0 (4.1H)
700 PCS/REEL
4,200 PCS/OUTER CARTON
- MATERIAL: CARRIER TAPE: PS BLACK
COVER TAPE: PET FILM
REEL: PLASTIC
- PEEL STRENGTH OF COVER TAPE: 20~80g
(PEEL SPEED 300mm/MINUTE)
- CARTON SIZE: 350x350x320mm
- G/W: Kg , N/W: Kg

UNLESS OTHERWISE SPECIFIED
ALL DIMENSIONS ARE MILLIMETERS
TOLERANCES: EXCEPT AS NOTED

MM	.X ± 0.30	X. ± 3°
	.XX ± 0.20	.X ± 1°
	.XXX ± 0.10	

ADAM
TECH

909 Rahway Avenue,
Union, NJ 07083
Phone: 908-687-5000
Fax: 908-687-5710

DRAWN	OW	1/27/21
CHECKED	RC	1/27/21
APPROVED		

TITLE
M.2 CONNECTOR, 67PINS, SMT TYPE,
2.15, 3.10, 4.10MM HEIGHT, A KEY

THIS DRAWING CONTAINS INFORMATION THAT IS PROPRIETARY
AND SHOULD NOT BE USED WITHOUT PRIOR WRITTEN
PERMISSION FROM ADAM TECH

SIZE X	PART NO. M2-A1-67-R-SMT-X.XX-KA-T/R	REV. C
-----------	--	-----------

REF: S00275T	SCALE: NTS	SHEET 4 OF 4
--------------	------------	--------------

6

5

4

3

2

1