

APPROVED: _____
 DATE: _____ TITLE: _____

Rev	AWO #	Description	Date	Appr
-		RELEASED	6/18/20	

6

5

4

3

2

1

D

C

B

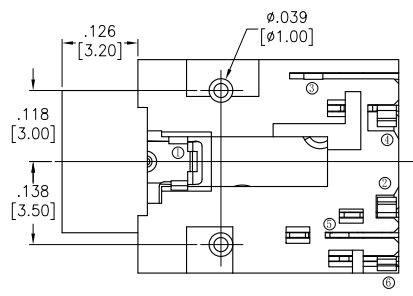
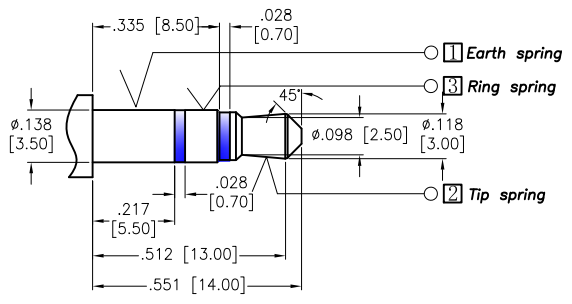
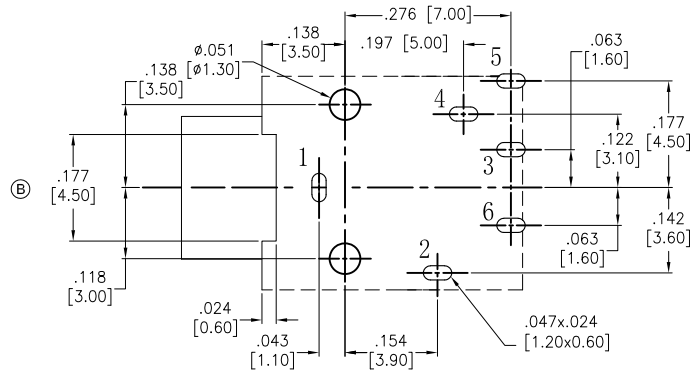
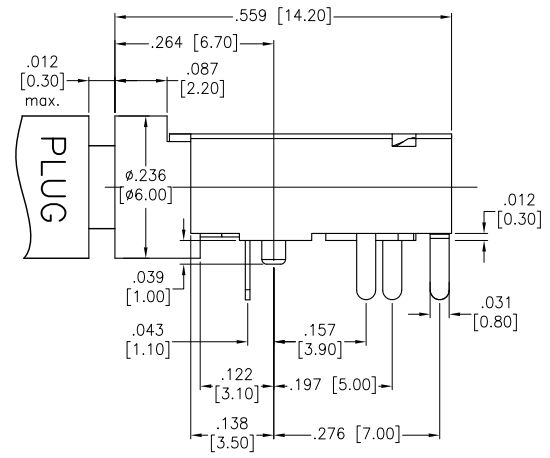
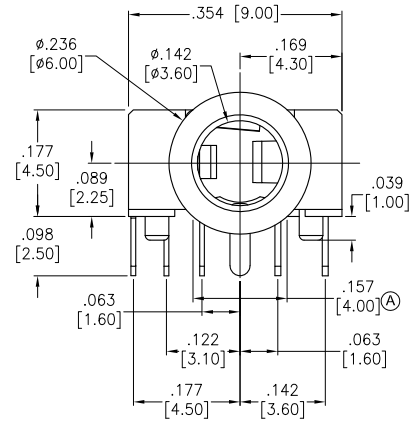
A

D

C

B

A



ASJ-99H-R-HT-T/R	ASJ-99H-H-HT-T/R	ASJ-99H-W-HT-T/R	ASJ-99H-N-HT-T/R
NORMAL CLOSE TYPE	NORMAL OPEN TYPE	NORMAL CLOSE TYPE	NORMAL OPEN TYPE

SPECIFICATIONS:

Material:
 Housing: Hi-Temp Thermoplastic, Rated UL94V-0
 Contacts: Copper Alloy
 Ring spring: Stainless steel
 Tip spring: Copper Alloy
 Earth spring: Copper Alloy
Plating:
 Silver over Copper underplate
Electrical:
 Rating: DC 30V, 0.5A
 Contact Resistance: 30 mohm Max
 Insulation Resistance: 100 Mohm Min@ DC 250V
 Dielectric Withstanding Voltage: 500VAC
Mechanical:
 Durability: 5,000 insertions
 Environmental:
 Lead free, RoHS compliant.



(A) 4.0mm dimension indicated length of head of part below PCB level to match PCB Layout (B) 4.5mm. We suggested not to exceed 4.0mm.
 PACKAGED ON TAPE & REEL

UNLESS OTHERWISE SPECIFIED ALL DIMENSIONS ARE INCH [MM] TOLERANCES: EXCEPT AS NOTED	
Millimeters	Angle
X ± 0.50	X ± 3'
XX ± 0.30	XX ± 2'
XXX ± 0.20	XXX ± 1'
YYW ± 0.10	
APPROVALS	
DRAWN	DATE
CHECKED	DATE
APPROVED	

ADAM TECH INTERCONNECTS 909 Rahway Avenue, Union, NJ 07083
 Phone: 908-687-5000 Fax: 908-687-5710

TITLE: 3.5MM STEREO PHONE JACK

SIZE X	PART NO. ASJ-99H-X-HT-T/R	REV. -
REF: S00102C	SCALE: NTS	SHEET 1 OF 1

6

5

4

3

2

1