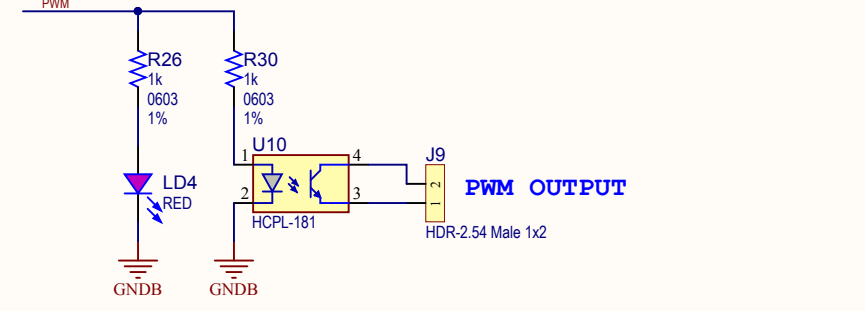
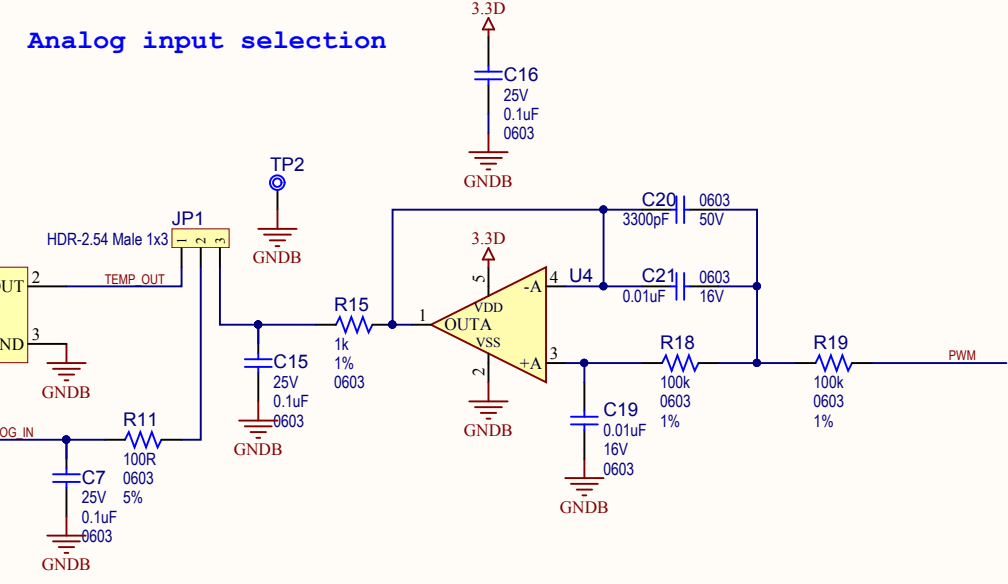
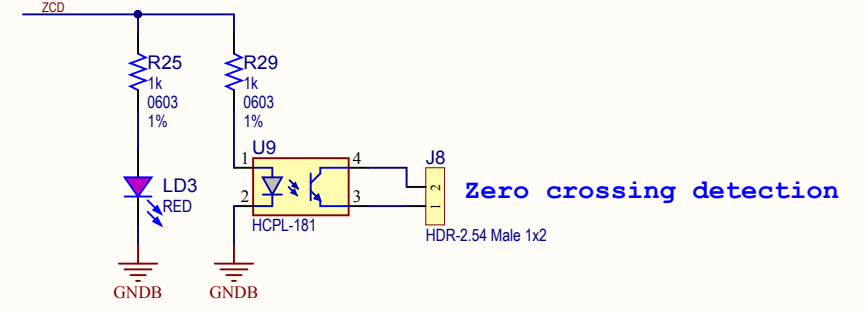
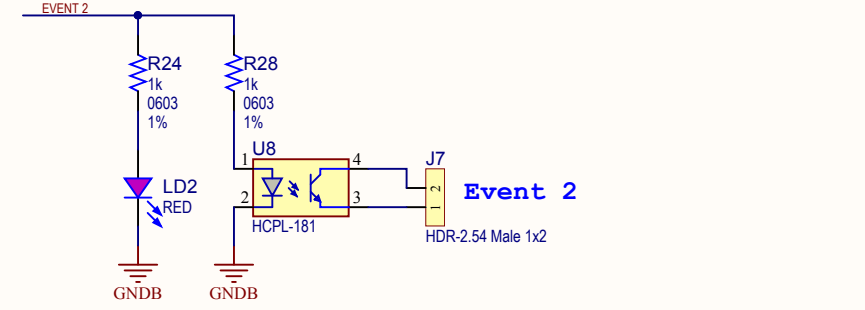
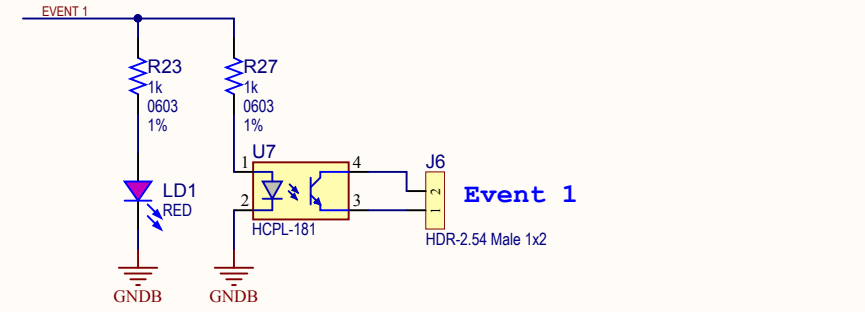
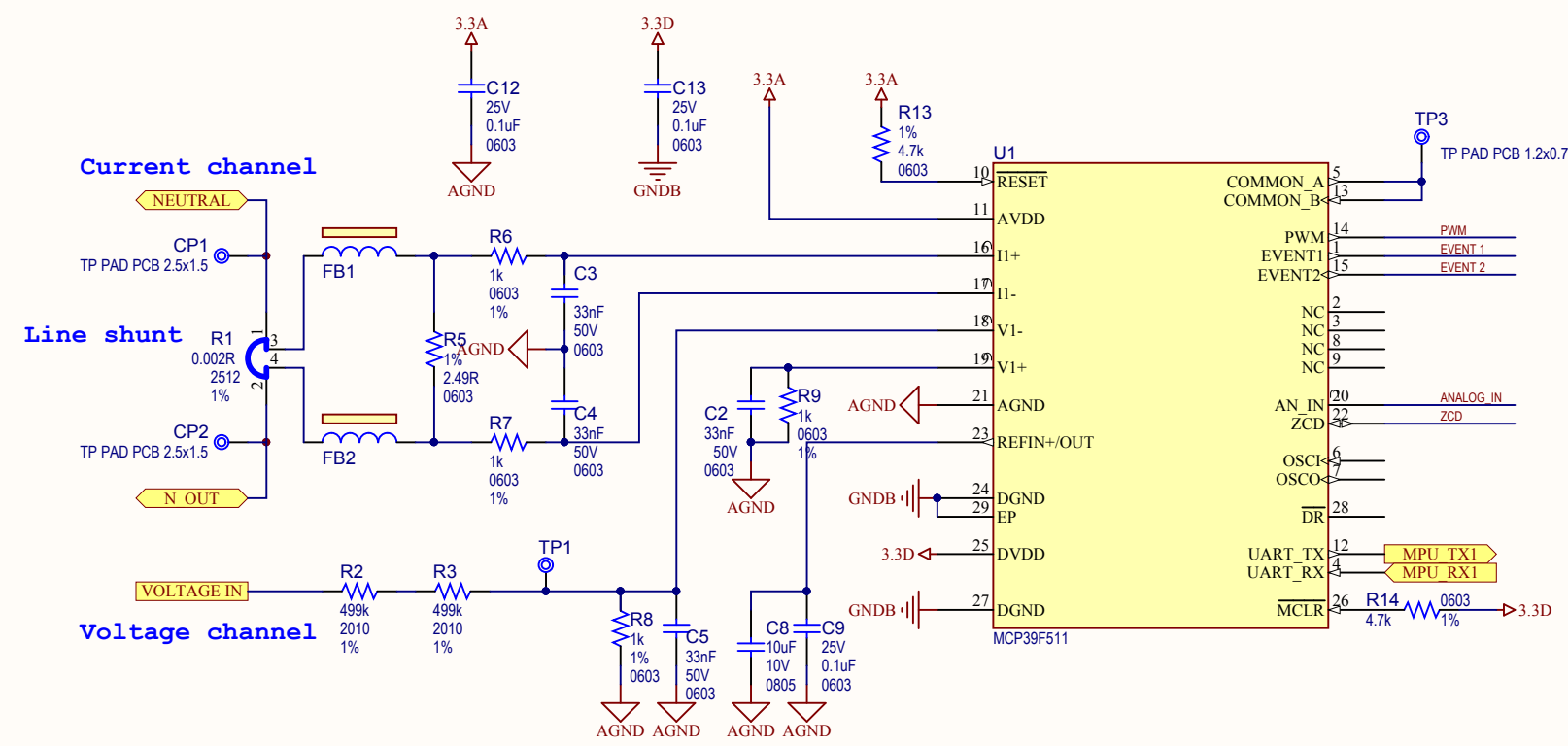
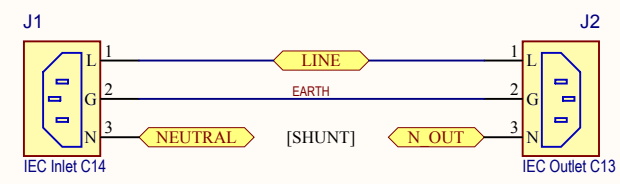
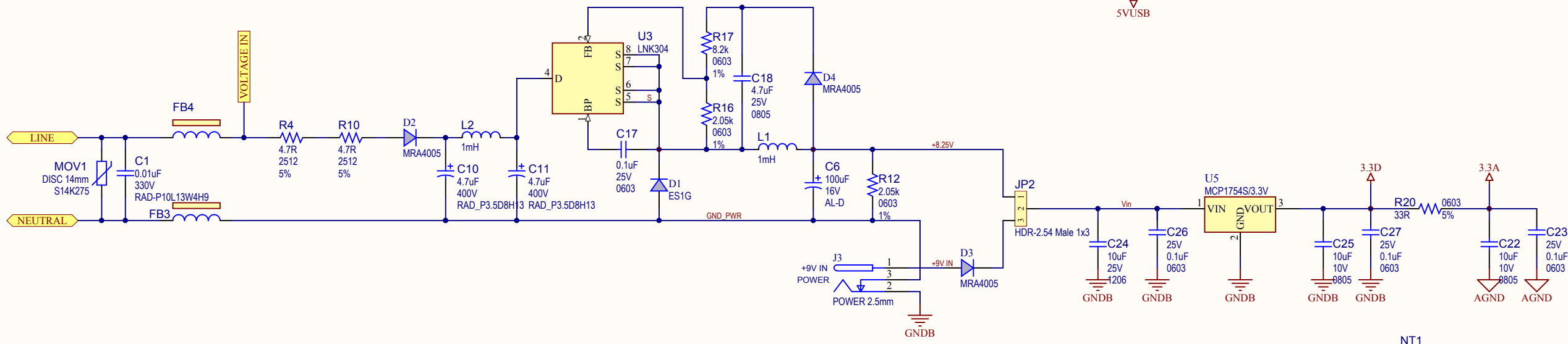
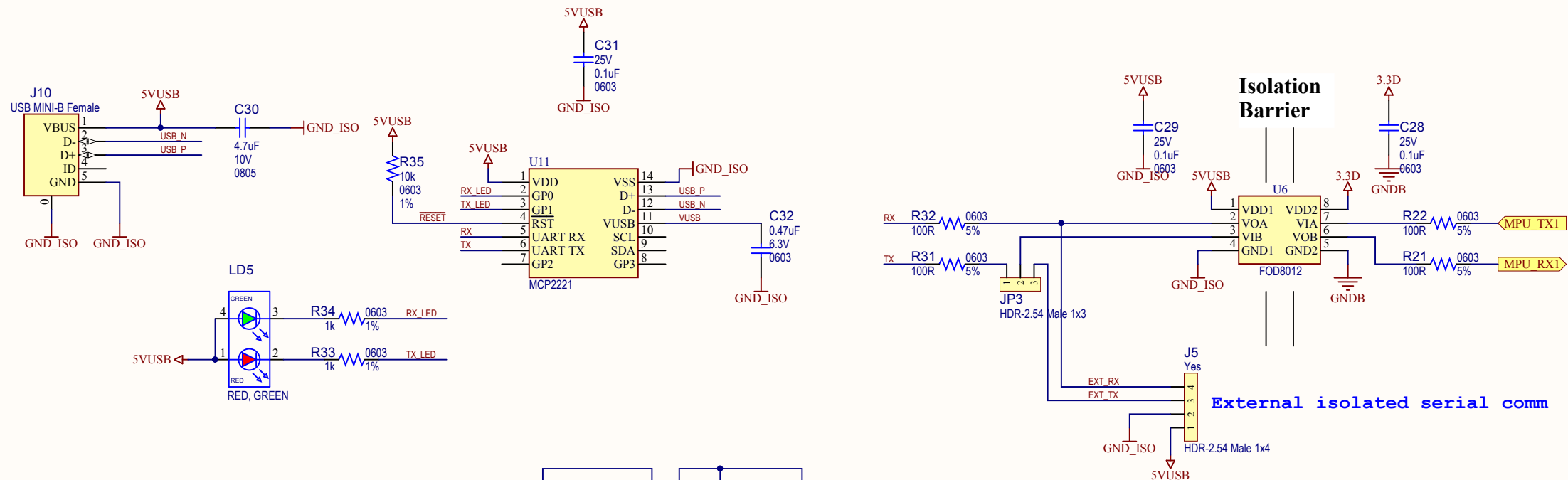


REV	ECO#	DESCRIPTION	DATE



Drawn By: Bogdan Popescu	
Engineer: Adrian Mot	
PartNumber: ADM00667	Project Title MCP39F511 Power Monitor Demo Board
Sheet Title MCP39F511	Designed with
Size B	Sch #:03-10419 Date: 3/5/2015 5:06:04 PM
	Revision:1 Sheet 1 of 2
File: D01-MCP39F511.SchDoc	



- JP4 Shunt 2.54mm 1x2 Handle
- SCR1 Screw M3x6mm Nylon
- NUT1 Nut M3 Nylon

Drawn By: Bogdan Popescu	
Engineer: Adrian Mot	
PartNumber: ADM00667	Project Title MCP39F511 Power Monitor Demo Board
Sheet Title POWER & USB	Designed with
Size B	Sch #:03-10419 Date: 3/5/2015 5:06:05 PM
	Revision:1 Sheet 2 of 2
File: D02-POWER & USB.SchDoc	