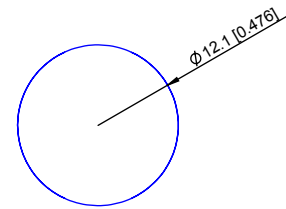
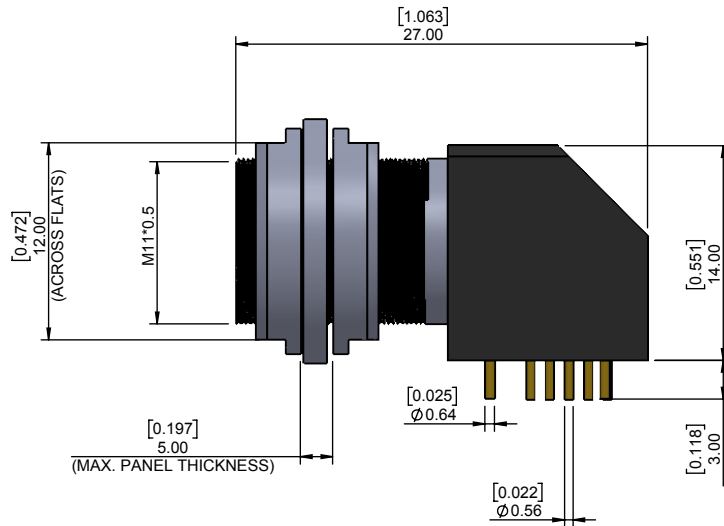
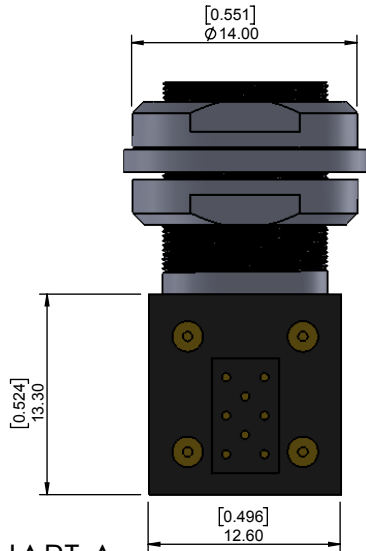


821B R YY - 2 1 3 R 00 1

SERIES 12.00 [0.475]
 R = RIGHT ANGLE
 # OF POSITIONS (Ex. 02)
 SEE CHART A
 1 = GOLD FLASH
 RoHS COMPLIANT
 NICKEL/CHROME PLATED SHELL
 VERTICAL (PANEL MOUNT)
 2 = FEMALE



PANEL CUTOUT
 TOLERANCE = +0.10, -0.0
 [+0.004, -0.00]

CHARACTERISTICS

MATERIALS

SHELL : BRASS
 SHELL PLATING : NICKEL
 NUT : BRASS
 NUT PLATING : NICKEL
 LATCH SLEEVE : BRASS
 LATCH SLEEVE PLATING : NICKEL
 CONTACTS : COPPER ALLOY
 CONTACT PLATING : 7µ" GOLD PLATED OVER 196µ" NICKEL MIN.
 INSULATOR : PPS (HIGH TEMPERATURE)

MECHANICAL

DURABILITY: 5000 CYCLES
 OPERATING TEMP. RANGE: -40° C ~ +200° C
 PROCESS TEMPERATURE : 260° C FOR 5 SECONDS
 MAX. TORQUE VALUE : 4.5 Nm [39 IN/lbs]
 SHIELDING: 75dB @ 10MHz
 40dB @ 1GHz

IP RATING: 50

CHART A

● = KEY LOCATION

VIEW FROM MATING FACE

2 POSITION 12 AMP MAX. PIN Ø = 1.30 [0.051]	3 POSITION 12 AMP MAX. PIN Ø = 1.30 [0.051]	4 POSITION 6 AMP MAX. PIN Ø = 0.90 [0.035]	5 POSITION 6 AMP MAX. PIN Ø = 0.90 [0.035]	6 POSITION 6 AMP MAX. PIN Ø = 0.70 [0.028]	7 POSITION 6 AMP MAX. PIN Ø = 0.70 [0.028]	8 POSITION 5 AMP MAX. PIN Ø = 0.70 [0.028]
CONTACT RESISTANCE = 5 mΩ TEST VOLTAGE = 1500V WORKING VOLTAGE = 500V	CONTACT RESISTANCE = 5 mΩ TEST VOLTAGE = 1300V WORKING VOLTAGE = 430V	CONTACT RESISTANCE = 6 mΩ TEST VOLTAGE = 1300V WORKING VOLTAGE = 430V	CONTACT RESISTANCE = 6 mΩ TEST VOLTAGE = 1250V WORKING VOLTAGE = 415V	CONTACT RESISTANCE = 7.5 mΩ TEST VOLTAGE = 1050V WORKING VOLTAGE = 350V	CONTACT RESISTANCE = 7.5 mΩ TEST VOLTAGE = 950V WORKING VOLTAGE = 315V	CONTACT RESISTANCE = 7.5 mΩ TEST VOLTAGE = 950V WORKING VOLTAGE = 315V

NOTE
 SEE PAGE 2 FOR
 BOARD LAYOUTS

RoHS COMPLIANT



THESE DRAWINGS AND SPECIFICATIONS ARE THE PROPERTY OF NorComp AND SHALL NOT BE REPRODUCED, COPIED OR USED AS THE BASIS FOR THE MANUFACTURE OR SALE OF APPARATUS WITHOUT WRITTEN PERMISSION.

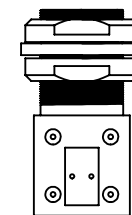
NorComp

DRAWN: M. SIGMON	DATE: 02-15-16	SCALE: N.T.S.	SHEET 1	OF 2	REV: 3
			DWG NO. 821BRY-213R001		

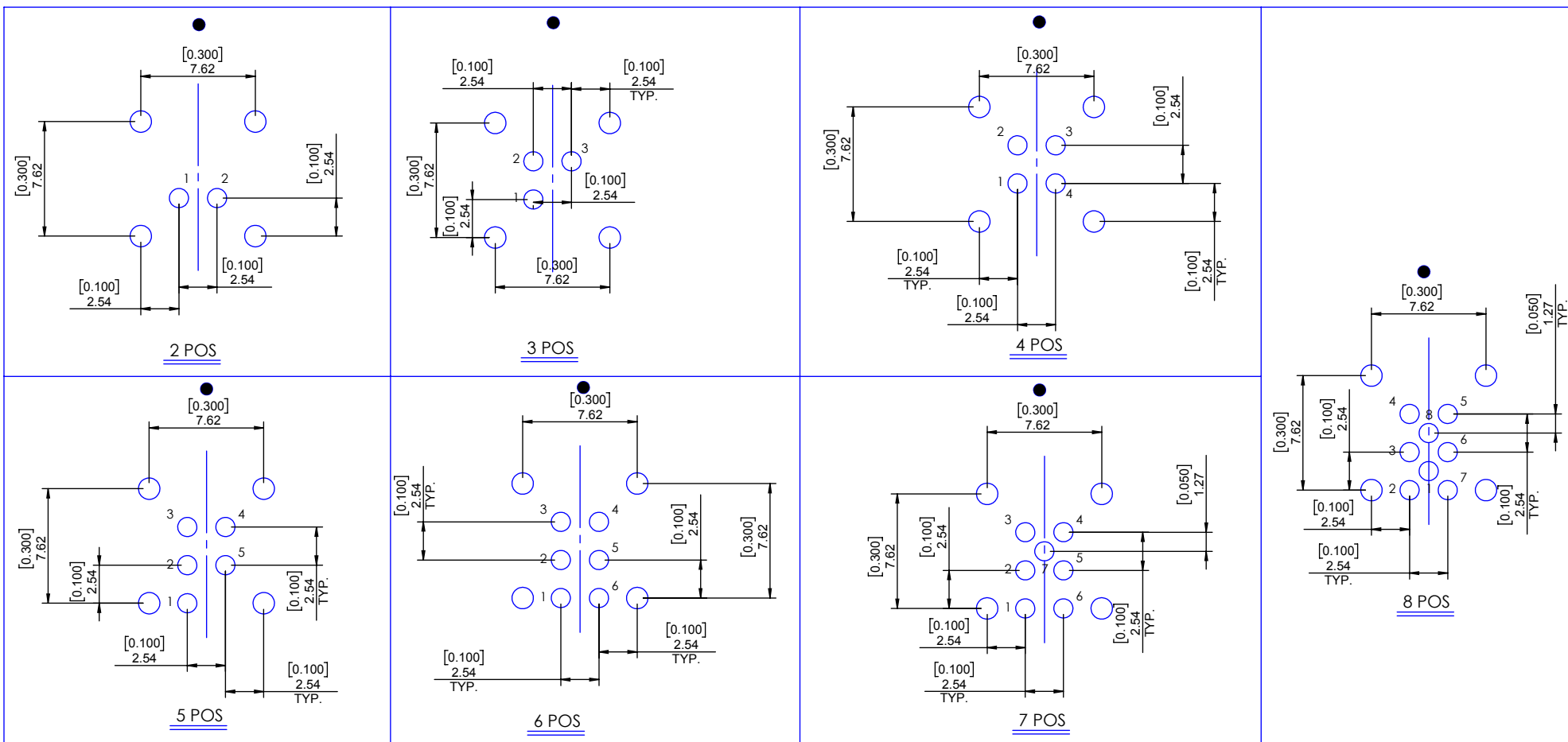
BOARD LAYOUTS

● = KEY LOCATION

ALL HOLE SIZES: $\varnothing 0.80$ [0.031]



VIEW SHOWN FOR CONNECTOR ORIENTATION



RoHS COMPLIANT



THESE DRAWINGS AND SPECIFICATIONS ARE THE PROPERTY OF NorComp AND SHALL NOT BE REPRODUCED, COPIED OR USED AS THE BASIS FOR THE MANUFACTURE OR SALE OF APPARATUS WITHOUT WRITTEN PERMISSION.

NorComp

DRAWN: M. SIGMON

DATE: 02-15-16

SCALE: N.T.S.

SHEET OF 2 2

REV: 3

DWG NO. 821BRYY-213R001