

Product / Process Change Notification (PCN)

- Major change
 Minor change

PCN #: PCN_ConCOM_20200716

Affected Series: WR-USB3; 692121430000

PCN Date: June 16, 2020

Effective Date: July 16, 2020

Change Category:

- Equipment / Location
 General Data
 Material
 Process
 Product Design
 Shipping / Packaging
 Supplier
 Software

Contact: Product Management

Phone: +49 (0) 7942 - 945 5001

Fax: +49 (0) 7942 - 945 5179

E-Mail: pcn.eican@we-online.com

Data Sheet Change:

- Yes No

Attachment:

- Yes No

DESCRIPTION AND PURPOSE OF CHANGE:

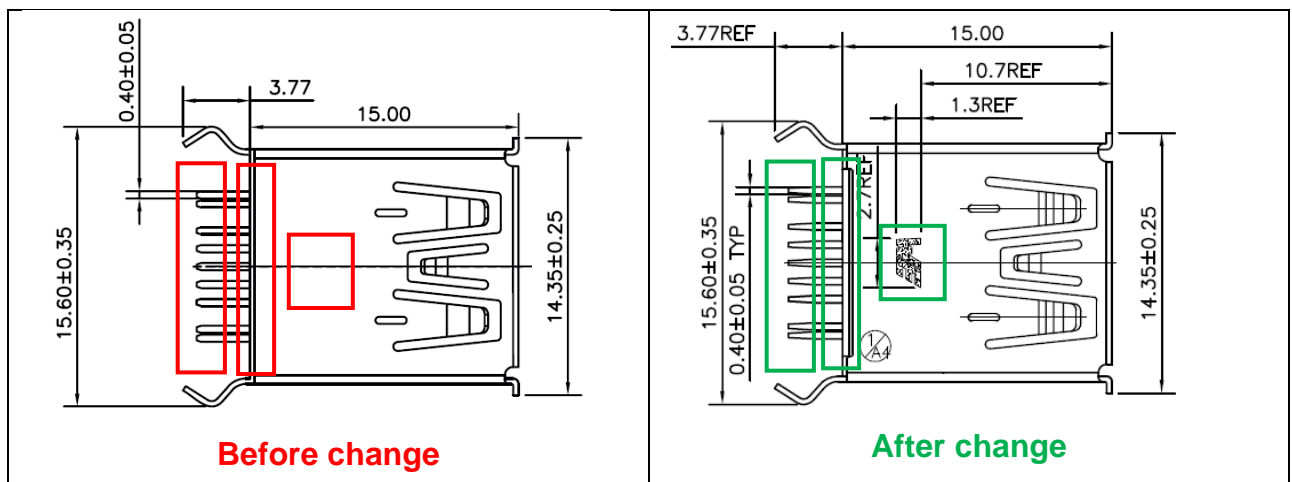
Due to internal standardization, Würth Elektronik is correcting the datasheet of this product to better reflect the design improvements made on the product over the years.

This is a datasheet correction only. There will be no change in form, fit, function, quality or reliability of the product.

DETAIL OF CHANGE:

The following design improvements have been made :

- Chamfers have been added to the contact pins
- The creepage distance between contact pins and the shell has been increased
- The WE logo has been added



Würth Elektronik eiSos GmbH & Co. KG

EMC & Inductive Solutions

Max-Eyth-Straße 1 · 74638 Waldenburg · Germany

Tel. +49 (0) 79 42 945-0 · Fax +49 (0) 79 42 945-400

eiSos@we-online.de · www.we-online.de



RELIABILITY / QUALIFICATION SUMMARY:

There will be no change of the product, therefore no additional reliability or qualification testing will be performed.