

THIS DRAWING IS UNPUBLISHED.

RELEASED FOR PUBLICATION

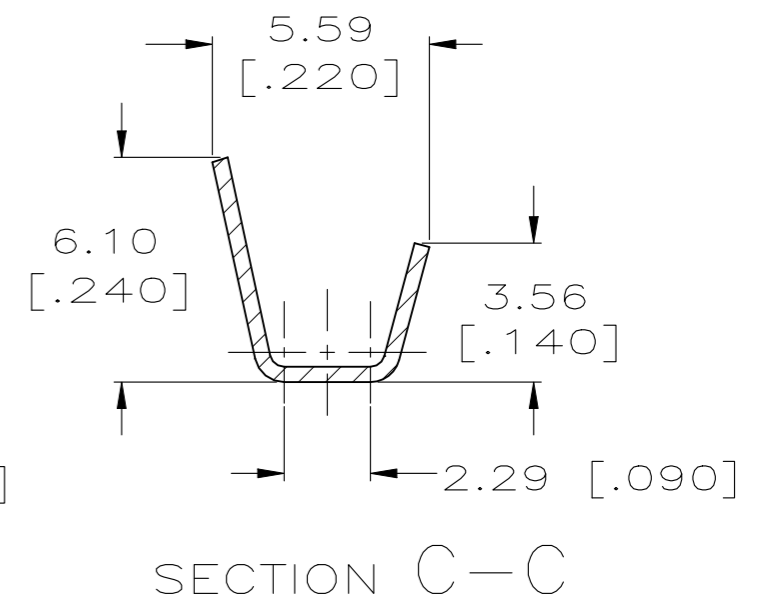
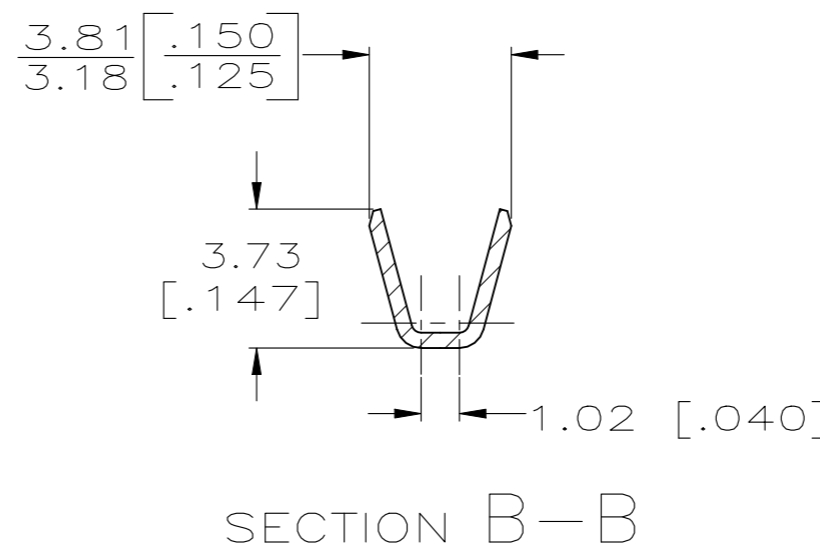
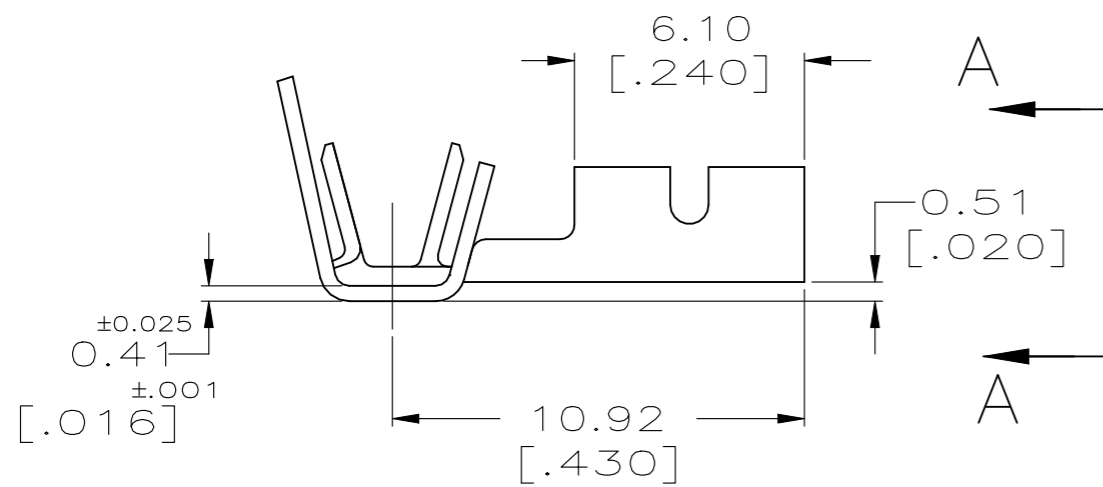
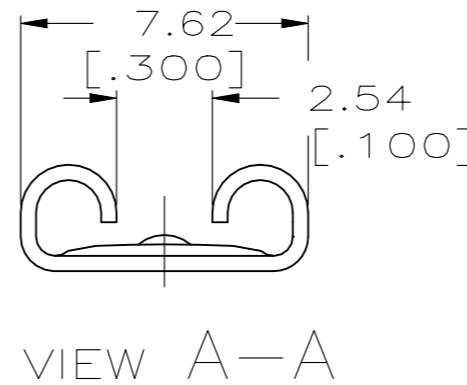
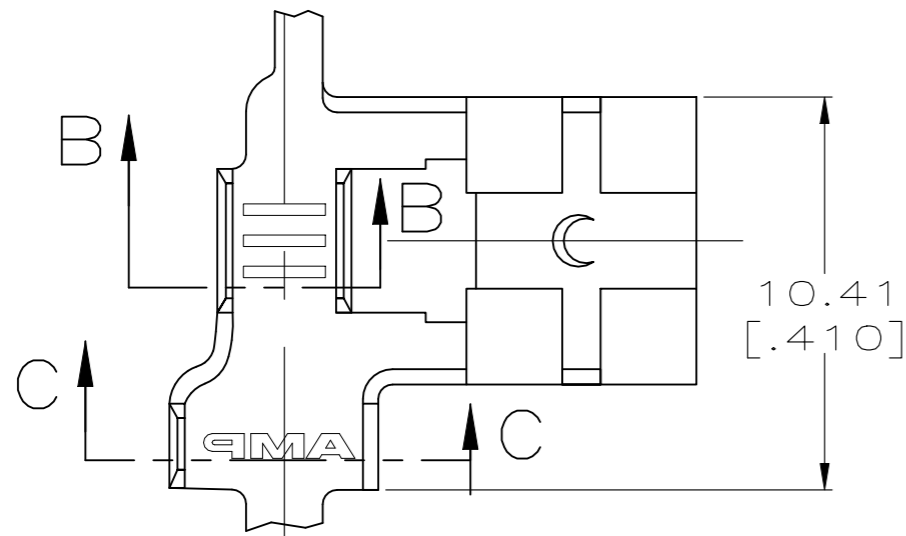
ALL RIGHTS RESERVED.

© COPYRIGHT - By -


REVISIONS

P	LTR	DESCRIPTION	DATE	DWN	APVD
E3		REVISED PER ECR-23-167180	04MAR2023	DB	RE

- CONTINUOUS STRIP ON REELS.
- WIRE SIZE IS [#18-#14] AWG.
- INSULATION RANGE TO BE 2.79-4.02 [.110-.160] DIA.
- MATING TAB THK IS 0.813±0.025 [.032±.001].



-	63901-2
TIN	63901-1
FINISH	PART NO.

THIS DRAWING IS A CONTROLLED DOCUMENT.		DWN	JR RUTH	5/2/96	 <b>TE Connectivity</b>												
DIMENSIONS: mm [INCHES]		CHK	MS FEHER	5/2/96													
TOLERANCES UNLESS OTHERWISE SPECIFIED:		APVD	P DESANTIS	5/2/96													
<table border="0"> <tr><td>0 PLC</td><td>± -</td></tr> <tr><td>1 PLC</td><td>± -</td></tr> <tr><td>2 PLC</td><td>± -</td></tr> <tr><td>3 PLC</td><td>± 0.25 [.010]</td></tr> <tr><td>4 PLC</td><td>± -</td></tr> <tr><td>ANGLES</td><td>± -</td></tr> </table>		0 PLC	± -	1 PLC				± -	2 PLC	± -	3 PLC	± 0.25 [.010]	4 PLC	± -	ANGLES	± -	PRODUCT SPEC
0 PLC	± -																
1 PLC	± -																
2 PLC	± -																
3 PLC	± 0.25 [.010]																
4 PLC	± -																
ANGLES	± -																
MATERIAL		APPLICATION SPEC		SIZE		CAGE CODE		DRAWING NO		RESTRICTED TO							
BRASS/STEEL Ni		FINISH		WEIGHT		A3		00779		C-63901							
SEE TABLE		CUSTOMER DRAWING		SCALE		5:1		SHEET		1 OF 1							
										REV E3							