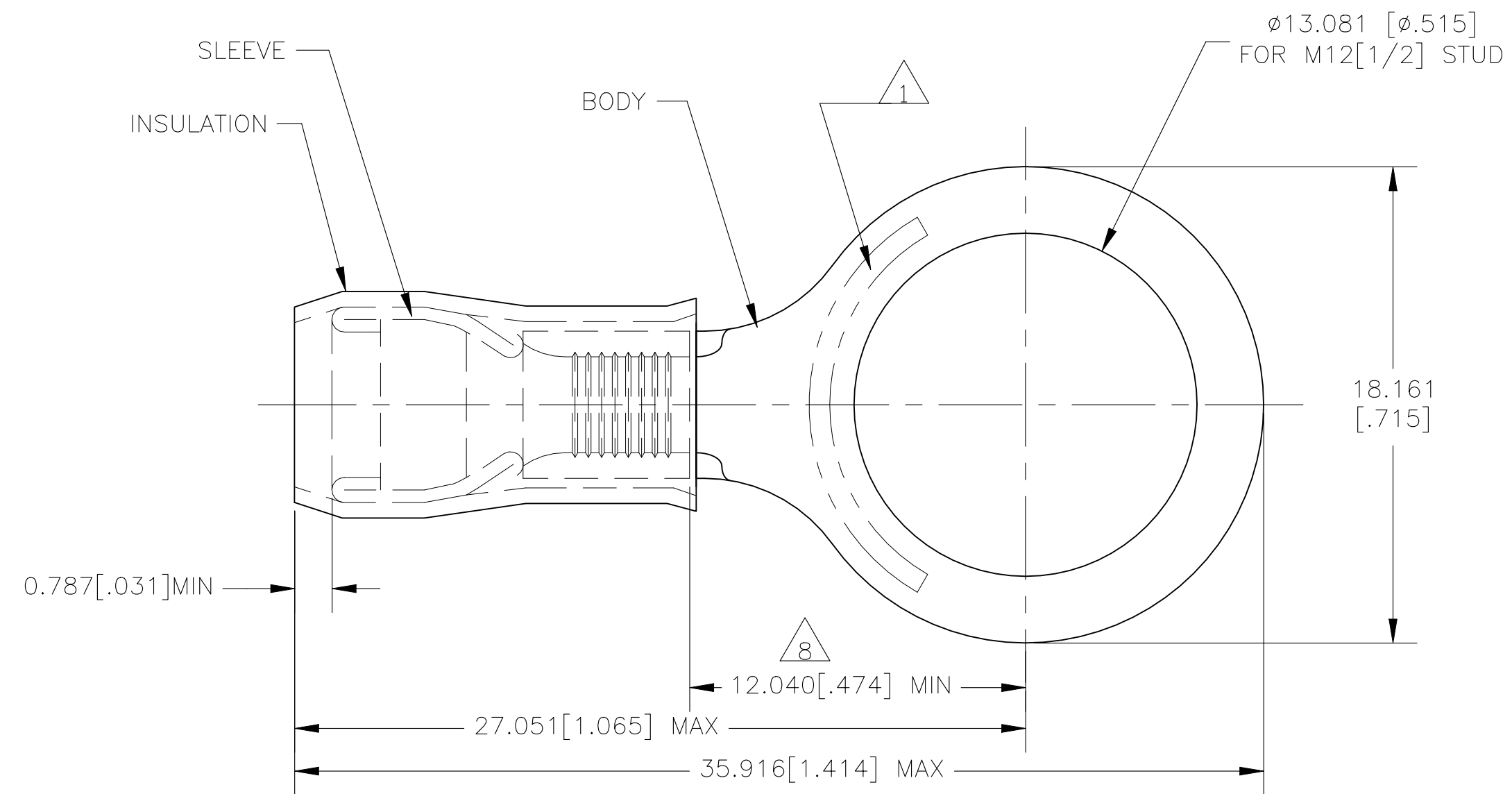


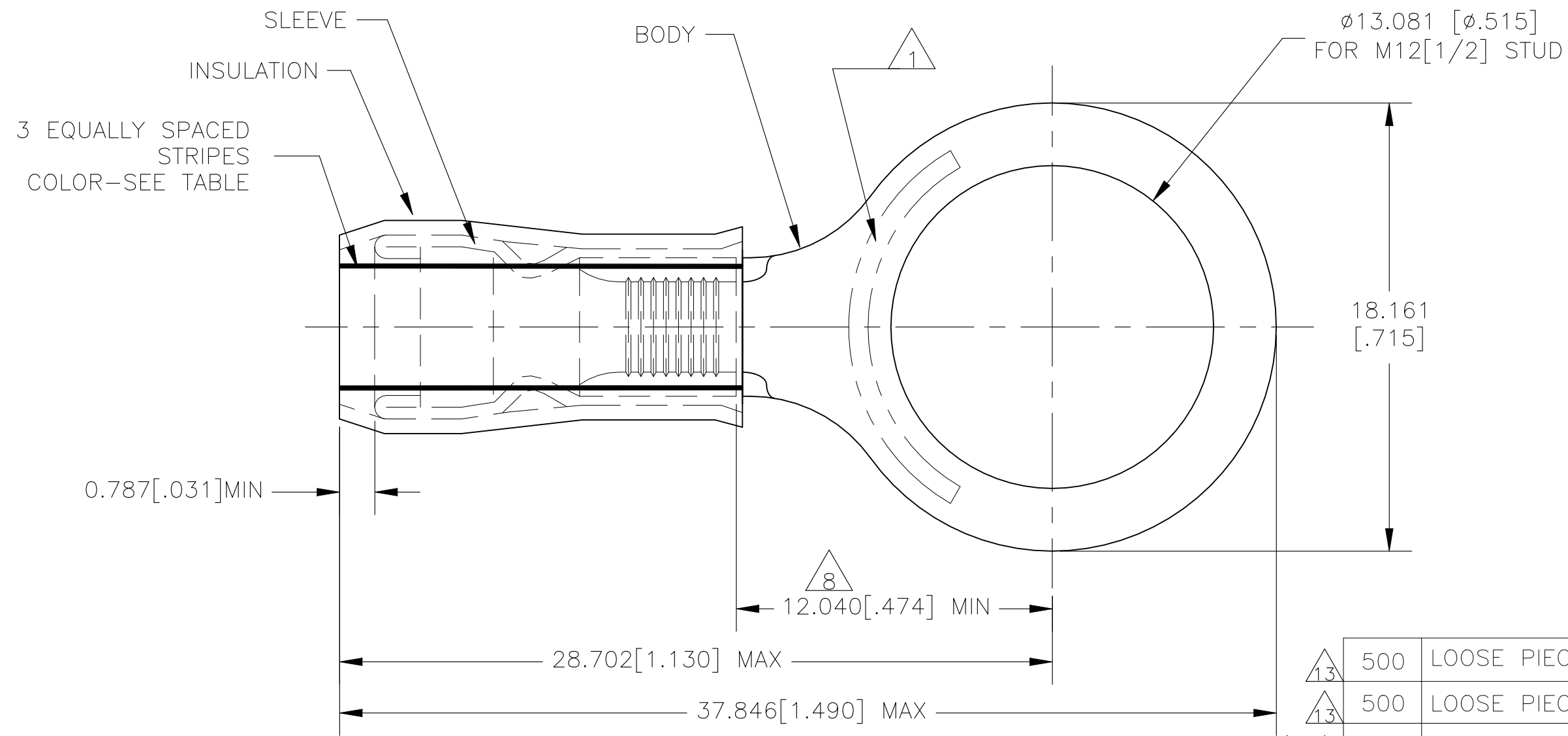
| REVISIONS | | | | | |
|-----------|-----|---------------------------|-----------|-----|------|
| P | LTR | DESCRIPTION | DATE | DWN | APVD |
| F2 | | REVISED PER ECN-22-150900 | 28APR2022 | RK | CSD |

| | | |
|--|-----------------------|--|
| AMP WIRE RANGE | E13288 Listed | LR7189 Certified |
| 12-10 AWG SOLID OR STRANDED IR: STRANDED | 12-10 AWG STRANDED | WIRE SIZE PER TABLE SOLID OR STRANDED IR: STRANDED |

- 1 STAMP "AMP - SEE TABLE" APPROX AS SHOWN.
- 2 WIRE INSULATION DIA: SEE TABLE.
- 3 BODY MATERIAL THK: 1.016[.040]±0.051[.002].
- 4 BODY: TIN PLATE 0.00254[.000100] MIN EXT THK PER ASTM B545.
- 5 SLEEVE: TIN PLATE 0.00254[.000100] MIN EXT THK PER ASTM B545.
- 6 SLEEVE: NICKEL PLATE PER QQ-N-290.
- 7 BODY & SLEEVE- CU PER ASTM B152
INSULATION - NYLON PER ASTM D4066
- 8 APPLIES FROM EDGE OF METAL WIRE BARREL TO CENTER OF STUD HOLE.
- 9 NOTE DELETED
- 10 NOTE DELETED
- 11 NOTE DELETED
- 12 UL LISTED
- 13 CSA CERTIFIED



STYLE A



STYLE B
INSULATION RESTRICTING

| 500 | LOOSE PIECE | 10* | 3.023[.119]-5.080[.200] | 10 | BROWN | B | | | 52077-2 |
|-----|--------------|----------|-------------------------|-----------|--------------|-------|-------------|---------------|---------|
| 500 | LOOSE PIECE | 12* | 2.413[.095]-5.080[.200] | 12 | YELLOW | B | | | 52077-1 |
| 500 | LOOSE PIECE | 12-10* | 3.810[.150]-5.842[.230] | 12-10 | --- | A | | | 52077 |
| QTY | PACKAGE TYPE | STAMPING | WIRE INSUL DIA | WIRE SIZE | STRIPE COLOR | STYLE | BODY FINISH | SLEEVE FINISH | PART NO |

| | | | | | | | | | |
|---|--|--|--|---|--|---|--|---|--|
| CUSTOMER SERVICE SYSTEMS | | MAX RECOMMENDED OPERATING TEMPERATURE: 105°C[221°F] MAX | | THIS DRAWING IS A CONTROLLED DOCUMENT. | | DWN JR RUTH 23DEC09 | | TE Connectivity | |
| FOR ADDITIONAL PRODUCT INFORMATION OR COPIES OF DRAWINGS AND TECHNICAL DOCUMENTS | | PRODUCT INFORMATION CENTER 1-800-522-6752 | | DIMENSIONS: INCHES | | CHK T MICHIELUTTI 23DEC09 | | | |
| FOR APPLICATION TOOLING INFORMATION | | TOOLING ASSISTANCE CENTER 1-800-722-1111 | | TOLERANCES UNLESS OTHERWISE SPECIFIED: 0 PLC ± - 1 PLC ± - 2 PLC ± - 3 PLC ± 0.127[.005] 4 PLC ± - ANGLES ± - | | APVD T MICHIELUTTI 23DEC09 | | NAME | |
| FOR ORDER ENTRY | | 1-800-526-5142 | | CIRCULAR MIL AREA: 2.62-6.64mm²[5,180-13,100] STRANDED OR SOLID | | PRODUCT SPEC UL 486 A-B | | TERMINAL, RING TONGUE, PIDG, WIRE SIZE: 12-10 AWG, PIDG IR: 12 & 10 AWG | |
| THIS DRAWING IS A CONTROLLED DOCUMENT FOR AMP INCORPORATED. IT IS SUBJECT TO CHANGE AND THE CONTROLLING ENGINEERING ORGANIZATION SHOULD BE CONTACTED FOR THE LATEST REVISION. | | | | MATERIAL | | FINISH SEE TABLE INSULATION: COLOR YELLOW | | SIZE CAGE CODE DRAWING NO RESTRICTED TO A2 00779 C=52077 - | |
| | | | | | | WEIGHT - | | SCALE SHEET REV 5:1 1 OF 1 F2 | |
| | | | | | | CUSTOMER DRAWING | | | |