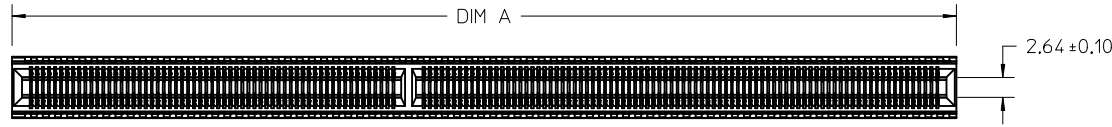
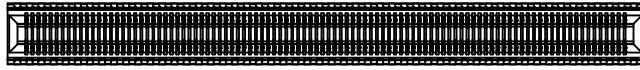


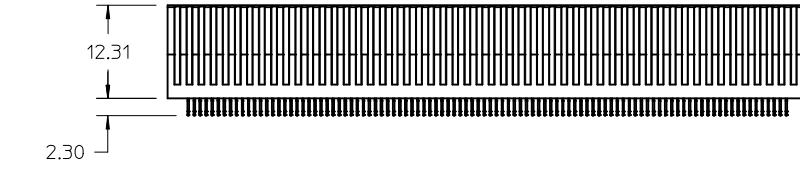
PART NUMBER	VERSION	BAY 1/BAY 2	TOTAL CIRCUITS	DIM A	SALES DRAWING (SEE NOTE 7)
170672-2294	2 BAY	122/172	294	125.03	SD-170672-2294
170672-2278	2 BAY	146/132	278	118.63	SD-170672-2278
170672-1200	1 BAY	200	200	84.20	SD-170672-1200
170672-1170	1 BAY	170	170	72.20	SD-170672-1170
170672-2108	2 BAY	86/22	108	50.6	SD-170672-2108



2 BAY EDGELINE

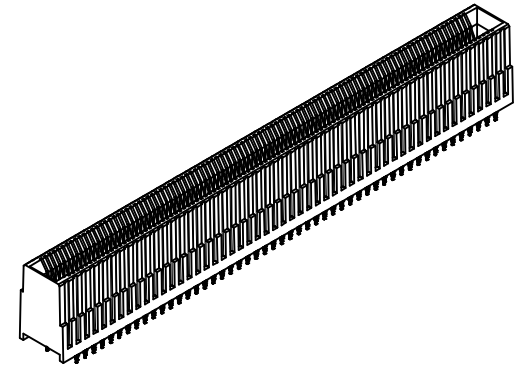
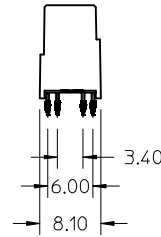


1 BAY EDGELINE



LAST CIRCUIT

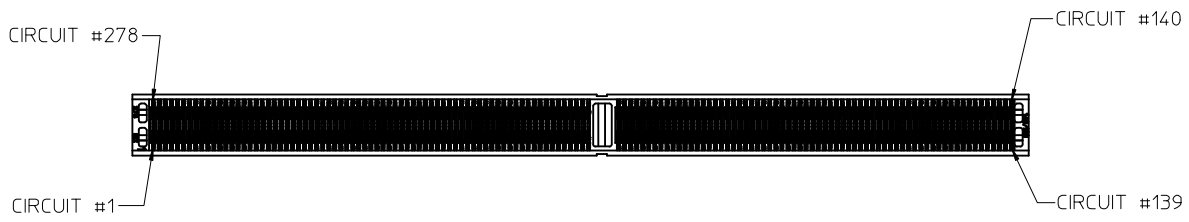
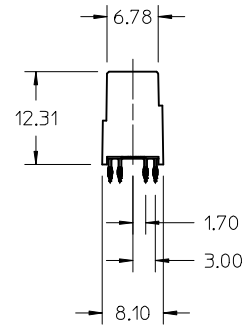
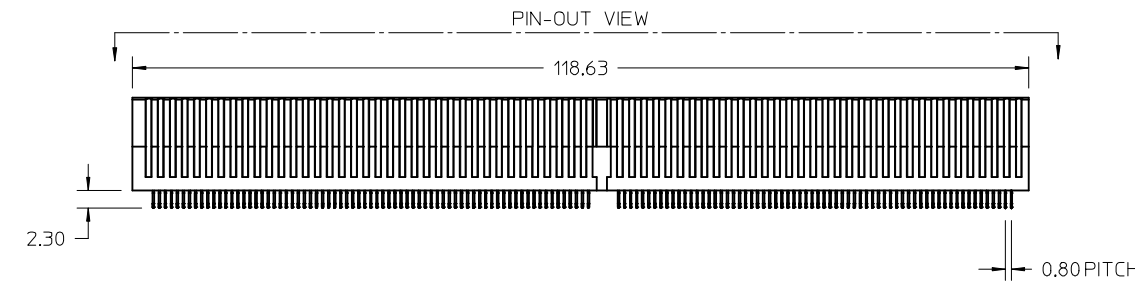
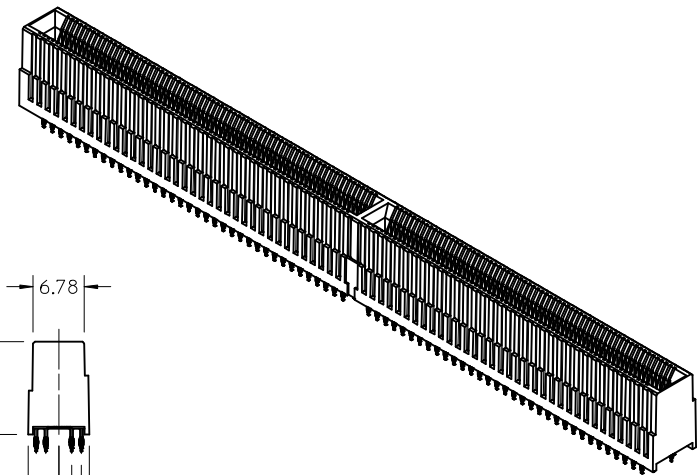
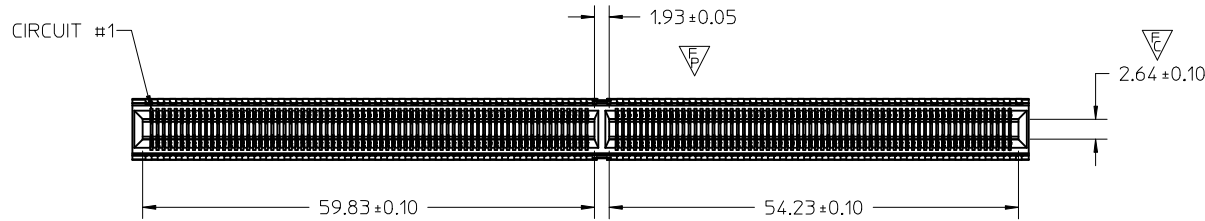
FIRST CIRCUIT



NOTES:

- MATERIAL:  
HOUSING - GLASS FILLED THERMOPLASTIC, 94-V0, BLACK  
TERMINALS - COPPER ALLOY
- FINISH:  
CONTACT AREA: HARD GOLD -0.76µm MIN OVER 3.80µ NICKEL  
COMPLIANT AREA: TIN - 0.76/1.52µm OVER NICKEL
- REFER TO PS-75594-999 PRODUCT SPECIFICATION FOR ALL ELECTRICAL, MECHANICAL AND ENVIRONMENTAL SPECIFICATIONS.
- PROCESSING: PRESSFIT TO PC BOARD.
- MATING PC BOARD THICKNESS = 2.36±10% OVER CONTACT PADS.
- THIS PART CONFORMS TO CLASS B REQUIREMENTS OF COSMETIC SPEC PS-45499-002
- FOR EDGE CARD AND MOUNTING PCB LAYOUT DETAIL SEE CORRESPONDING SALES DRAWING.

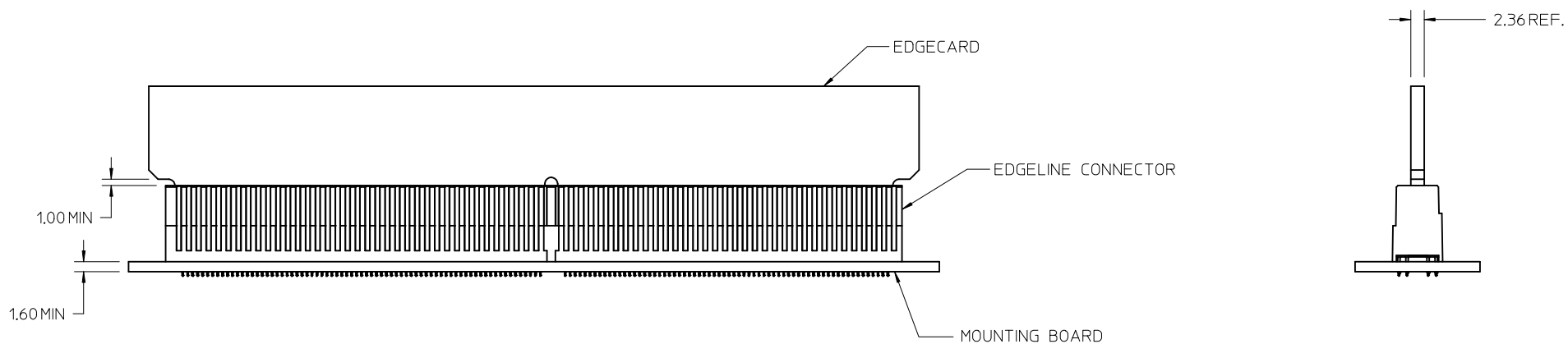
<b>CORRECT 10% TOLERANCE</b> IEC NO: UCP2017-1945 DRAWN BY: DRWIN:POFF 2017/03/09 CHECKED BY: CHKD:MORGAN 2017/03/09 APPR: KLANG 2017/03/15 REV: C1	QUALITY SYMBOLS 	GENERAL TOLERANCES (UNLESS SPECIFIED) <table border="1"> <thead> <tr> <th></th> <th>mm</th> <th>INCH</th> </tr> </thead> <tbody> <tr> <td>4 PLACES</td> <td>± .005</td> <td>± .0008</td> </tr> <tr> <td>3 PLACES</td> <td>± .003</td> <td>± .0005</td> </tr> <tr> <td>2 PLACES</td> <td>± .002</td> <td>± .0003</td> </tr> <tr> <td>1 PLACE</td> <td>± .001</td> <td>± .0001</td> </tr> <tr> <td>0 PLACE</td> <td>±</td> <td>±</td> </tr> </tbody> </table>			mm	INCH	4 PLACES	± .005	± .0008	3 PLACES	± .003	± .0005	2 PLACES	± .002	± .0003	1 PLACE	± .001	± .0001	0 PLACE	±	±	DIMENSION STYLE <b>MM ONLY</b> DRAWN BY: DROSCA DATE: 2010/07/01 CHECKED BY: JCOMERC I DATE: 2011/03/28 APPROVED BY: JCOMERC I DATE: 2010/10/25 MATERIAL NO.	SCALE: 2:1 DESIGN UNITS: METRIC THIRD ANGLE PROJECTION	TITLE: <b>EDGELINE 12.5GB</b> <b>0.093" PCB 0.8MM PITCH</b> 	DOCUMENT NO.: SD-170672-0001 SHEET NO.: 1 OF 1
		mm	INCH																						
	4 PLACES	± .005	± .0008																						
	3 PLACES	± .003	± .0005																						
2 PLACES	± .002	± .0003																							
1 PLACE	± .001	± .0001																							
0 PLACE	±	±																							
ANGULAR ±1/2° DRAFT WHERE APPLICABLE MUST REMAIN WITHIN DIMENSIONS		SIZE: C	THIS DRAWING CONTAINS INFORMATION THAT IS PROPRIETARY TO MOLEX INCORPORATED AND SHOULD NOT BE USED WITHOUT WRITTEN PERMISSION																						



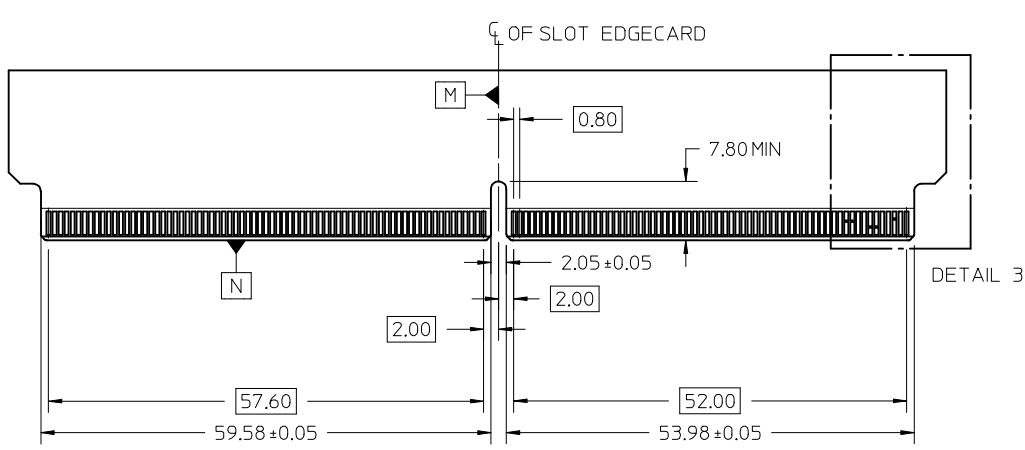
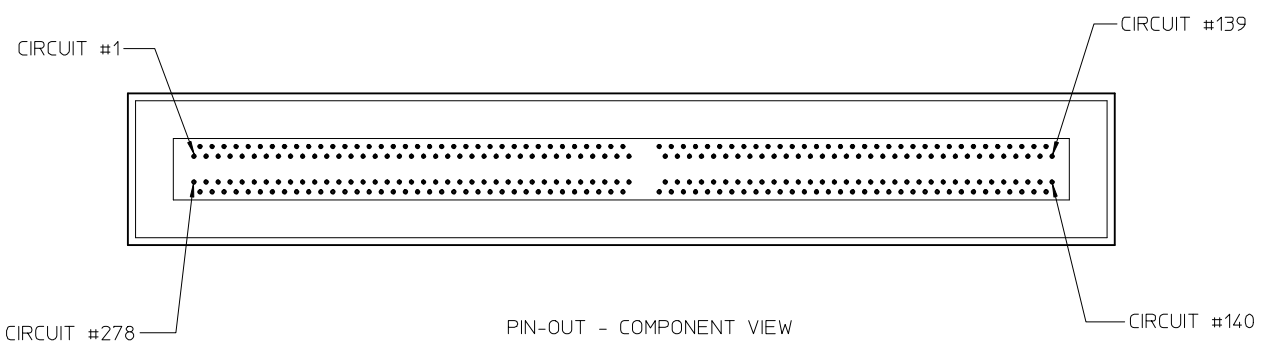
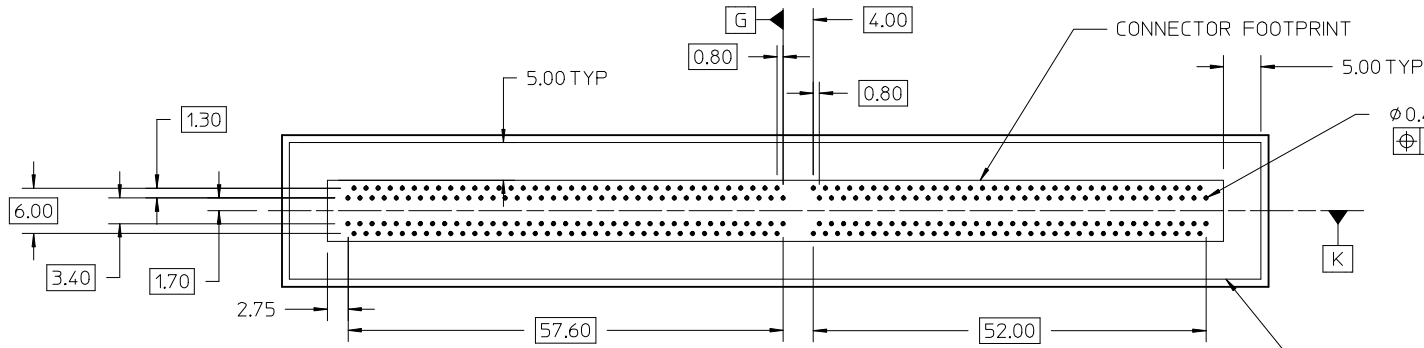
- NOTES:
- MATERIAL:  
HOUSING - GLASS FILLED THERMOPLASTIC, 94-V0, BLACK  
TERMINALS - COPPER ALLOY
  - FINISH:  
CONTACT AREA: HARD GOLD -0.76μm MIN OVER 3.80μm NICKEL  
COMPLIANT AREA: TIN - 0.76/1.52μm OVER NICKEL
  - REFER TO PS-75594-999 PRODUCT SPECIFICATION FOR ALL ELECTRICAL, MECHANICAL AND ENVIRONMENTAL SPECIFICATIONS.
  - REFER TO PK-76693-900 FOR ALL PACKAGING SPECIFICATIONS.
  - PROCESSING: PRESSFIT TO PC BOARD.
  - MATING PC BOARD THICKNESS = 2.36±10% OVER CONTACT PADS.
  - THIS PART CONFORMS TO CLASS B REQUIREMENTS OF COSMETIC SPEC PS-45499-002.

CORRECT 10% TOLERANCE E.C. NO: UCP2017-1945 2017/03/09 DRWIN:POFF 2017/03/09 CHKD:MORGAN 2017/03/15 APPR:KLANG	QUALITY SYMBOLS	GENERAL TOLERANCES (UNLESS SPECIFIED)		DIMENSION STYLE	SCALE	DESIGN UNITS	THIRD ANGLE PROJECTION
	▽=0	mm	INCH	MM ONLY	2:1	METRIC	
	▽=1	4 PLACES ± ---	± ---	DRAWN BY	DATE	TITLE	
	▽=1	3 PLACES ± ---	± ---	DROSCA	2011/03/10	EDGELINE 12.5GB 0.093" PCB, 0.8MM PITCH 278 CIRCUITS	
REV	DESCRIPTION	2 PLACES ± 0.13	± ---	CHECKED BY	DATE	molex	
B1		1 PLACE ± 0.25	± ---	APPROVED BY	DATE	DOCUMENT NO.	SHEET NO.
		0 PLACE ±	±	JCOMERC I	2011/03/11	SD-170672-2278	1 OF 4
		ANGULAR ± 2 °		MATERIAL NO.	THIS DRAWING CONTAINS INFORMATION THAT IS PROPRIETARY TO MOLEX. INCORPORATED AND SHOULD NOT BE USED WITHOUT WRITTEN PERMISSION		
		DRAFT WHERE APPLICABLE MUST REMAIN WITHIN DIMENSIONS		SIZE			

# EDGE LINE CONNECTOR BOARD MOUNTING

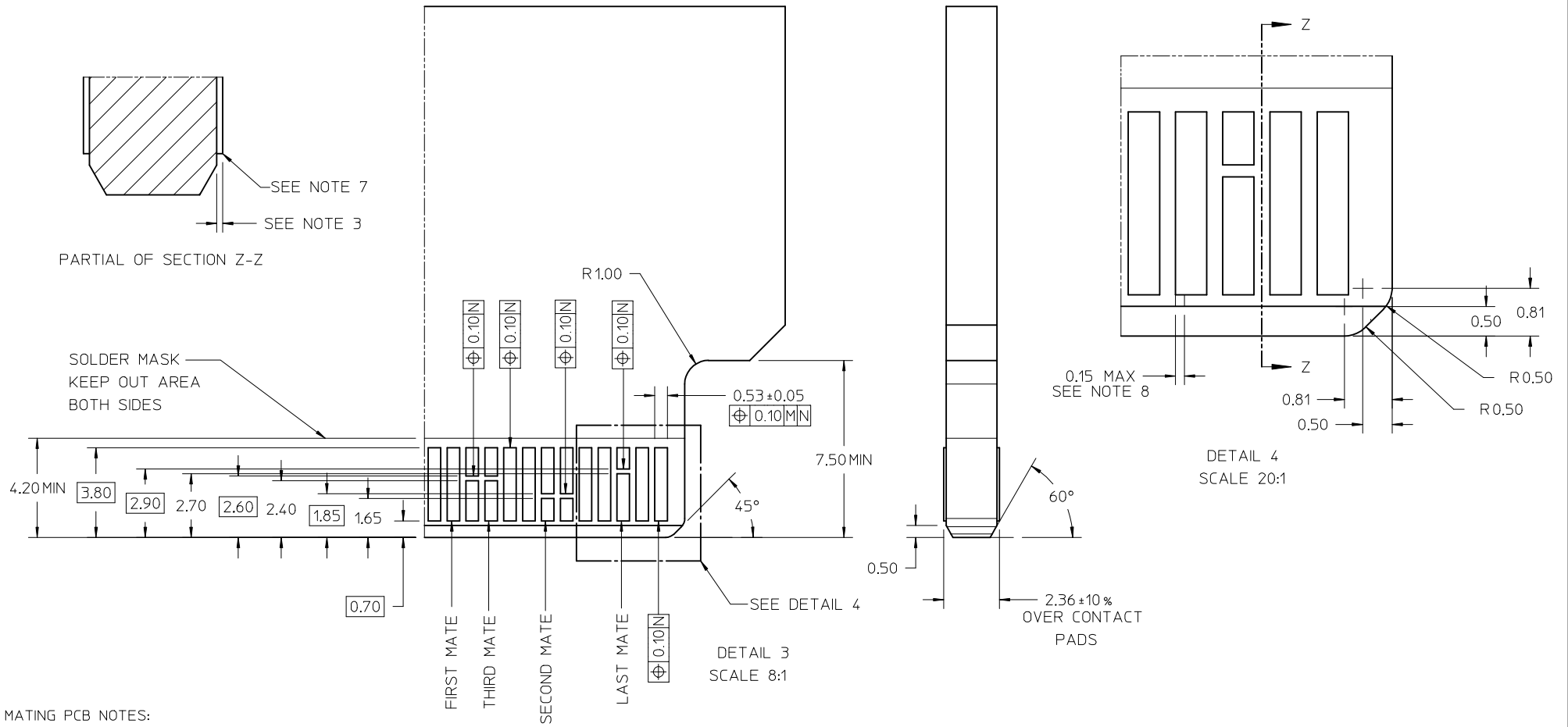


SEE SHEET 1 EC NO: UCP2017-1945 DRW:MP0FF 2017/03/09 CHKD:JMORGAN 2017/03/09 APPR:KLANG 2017/03/15	QUALITY SYMBOLS		GENERAL TOLERANCES (UNLESS SPECIFIED)	DIMENSION STYLE <b>MM ONLY</b>	SCALE <b>2:1</b>	DESIGN UNITS <b>METRIC</b>	THIRD ANGLE PROJECTION																		
	▽=0	▽=0	▽=0	<table border="1" style="width: 100%; border-collapse: collapse;"> <thead> <tr> <th></th> <th>mm</th> <th>INCH</th> </tr> </thead> <tbody> <tr> <td>4 PLACES</td> <td>± .005</td> <td>± .0004</td> </tr> <tr> <td>3 PLACES</td> <td>± .008</td> <td>± .0003</td> </tr> <tr> <td>2 PLACES</td> <td>± 0.13</td> <td>± .005</td> </tr> <tr> <td>1 PLACE</td> <td>± 0.25</td> <td>± .010</td> </tr> <tr> <td>0 PLACE</td> <td>±</td> <td>±</td> </tr> </tbody> </table>		mm	INCH	4 PLACES	± .005	± .0004	3 PLACES	± .008	± .0003	2 PLACES	± 0.13	± .005	1 PLACE	± 0.25	± .010	0 PLACE	±	±	DRAWN BY: DROSCA DATE: 2011/03/10 CHECKED BY: _____ DATE: _____	TITLE <b>EDGE LINE 12.5GB                  0.093" PCB, 0.8MM PITCH                  278 CIRCUITS</b>	
		mm	INCH																						
	4 PLACES	± .005	± .0004																						
3 PLACES	± .008	± .0003																							
2 PLACES	± 0.13	± .005																							
1 PLACE	± 0.25	± .010																							
0 PLACE	±	±																							
▽=0	ANGULAR ± 2 °		APPROVED BY: JCOMERC I DATE: 2011/03/11	DOCUMENT NO. <b>SD-170672-2278</b>		SHEET NO. 2 OF 4																			
B1	DRAFT WHERE APPLICABLE MUST REMAIN WITHIN DIMENSIONS		SIZE C SEE SHEET 1		THIS DRAWING CONTAINS INFORMATION THAT IS PROPRIETARY TO MOLEX INCORPORATED AND SHOULD NOT BE USED WITHOUT WRITTEN PERMISSION																				



SEE SHEET 1 EC NO: UCP2017-1945 DRWN:POFF 2017/03/09 CHKD:DMORGAN 2017/03/09 APPR:KLANG 2017/03/15	QUALITY SYMBOLS	GENERAL TOLERANCES (UNLESS SPECIFIED)	DIMENSION STYLE	SCALE	DESIGN UNITS	THIRD ANGLE PROJECTION
	▽=0	mm INCH	MM ONLY	2:1	METRIC	
	▽=0	4 PLACES ± --- ± ---	DRAWN BY DATE			TITLE
	▽=0	3 PLACES ± --- ± ---	DROSCA 2011/03/10			EDGELINE 12.5GB 0.093" PCB, 0.8MM PITCH 278 CIRCUITS
▽=0	2 PLACES ± 0.13 ± ---	CHECKED BY DATE				<b>molex</b> DOCUMENT NO. SD-170672-2278 SHEET NO. 3 OF 4
▽=0	1 PLACE ± 0.25 ± ---	APPROVED BY DATE				
		0 PLACE ± ±	JCOMERC I 2011/03/11			
		ANGULAR ± 2°	MATERIAL NO.			
		DRAFT WHERE APPLICABLE MUST REMAIN WITHIN DIMENSIONS	SEE SHEET 1			
			SIZE C			

# MODULE EDGE CARD CONTACT DETAIL



**MATING PCB NOTES:**

- CONNECTOR LAND CONDITIONS SHALL MEET THE MOST CURRENT REVISION OF PCB SPECIFICATION IPC-6012C-2010 SECTION 3.5.4.4.
- DIMENSIONS APPLY TO LANDS ON BOTH SIDES OF THE BOARD.
- THE THICKNESS OF THE OUTER METAL LAYERS, INCLUDING FOIL, COPPER PLATING, AND THE PROTECTIVE SURFACE FINISH, SHALL BE 0.066mm MAX.
- CHAMFER ROUGHNESS NOT TO EXCEED 3.17 MICROMETERS.
- CHAMFER PROCESS SHALL NOT DAMAGE THE GOLD EDGE LANDS.
- EDGECARD CHAMFER NOT TO GO THRU GOLD LANDS.
- 0.03mm MAX PLATING OVERHANG ON ALL GOLD LAND EDGES.
- MOLEX RECOMMENDS NO TIE-BARS ON THE LEADING EDGE OF THE GOLD LAND. IF TIE-BARS ARE USED, THEY SHALL BE PLACED TO ONE SIDE OF THE GOLD LAND. APPLIES TO ALL GOLD LANDS.

SEE SHEET 1 EC NO: UCP2017-1945 DRWN:POFF 2017/03/09 CHKD:MORGAN 2017/03/09 APPR:KLANG 2017/03/15	QUALITY SYMBOLS	GENERAL TOLERANCES (UNLESS SPECIFIED)	DIMENSION STYLE <b>MM ONLY</b>	SCALE <b>8:1</b>	DESIGN UNITS <b>METRIC</b>	THIRD ANGLE PROJECTION
	▽=0	mm INCH	DRAWN BY DATE DROSCA 2011/03/10	TITLE <b>EDGE LINE 12.5GB 0.093" PCB, 0.8MM PITCH 278 CIRCUITS</b>		
	▽=0	4 PLACES ± --- ± ---	CHECKED BY DATE	DOCUMENT NO. <b>SD-170672-2278</b>		
	▽=0	3 PLACES ± --- ± ---	APPROVED BY DATE JCOMERC I 2011/03/11	SHEET NO. <b>4 OF 4</b>		
REV	DESCRIPTION	ANGULAR ± 2°	MATERIAL NO.	THIS DRAWING CONTAINS INFORMATION THAT IS PROPRIETARY TO MOLEX INCORPORATED AND SHOULD NOT BE USED WITHOUT WRITTEN PERMISSION		
B1		DRAFT WHERE APPLICABLE MUST REMAIN WITHIN DIMENSIONS	SIZE C	SEE SHEET 1		