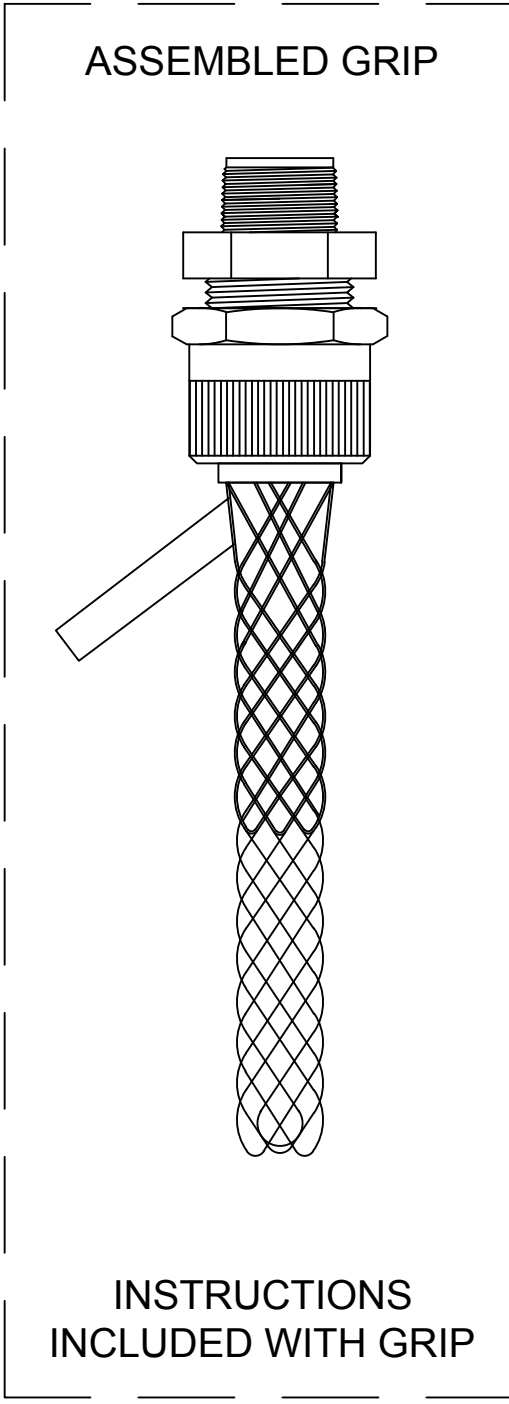
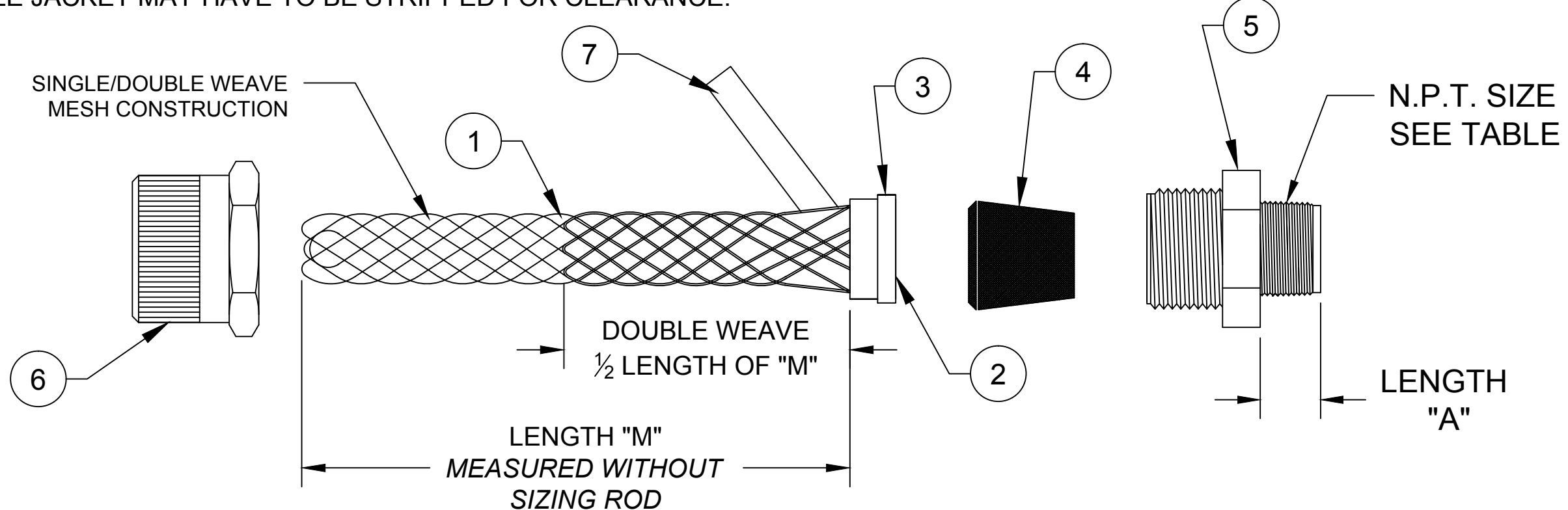


CATALOG NUMBER	MATERIAL NUMBER	CABLE RANGE	LENGTH "M"	N.P.T. FITTING SIZE	FORM SIZE	LENGTH "A" REF.	UL LISTED	CSA APPROVED
5522MSS	1300970321	.187-.250 / 4.75-6.35	4.50±0.50 / 114.3±12.7	1/2	2	0.500 / 12.70	NO	NO
5524MSS	1300970322	.250-.312 / 6.35-7.92	4.50±0.50 / 114.3±12.7					
5526MSS	1300970323	.312-.375 / 7.92-9.53	4.50±0.50 / 114.3±12.7					
5528MSS	1300970324	.375-.437 / 9.53-11.10	5.50±0.50 / 139.7±12.7					
5530MSS	1300970325	.437-.500 / 11.10-12.70	6.50±0.50 / 165.1±12.7					
* 5532MSS	1300970326	.500-.562 / 12.70-14.27	6.75±0.50 / 171.5±12.7					
* 5534MSS	1300970328	.562-.625 / 14.27-15.88	6.75±0.50 / 171.5±12.7					
5620MSS	1300970339	.187-.250 / 4.75-6.35	4.25±0.50 / 108.0±12.7	3/4	3	0.562 / 14.27	NO	NO
5622MSS	1300970340	.250-.375 / 6.35-9.53	4.25±0.50 / 108.0±12.7					
5624MSS	1300970341	.375-.437 / 9.53-11.10	6.00±0.50 / 152.4±12.7					
5536MSS	1300970329	.437-.562 / 11.10-14.27	6.00±0.50 / 152.4±12.7					
5538MSS	1300970330	.500-.625 / 12.70-15.88	6.75±0.50 / 171.5±12.7					
5540MSS	1300970331	.562-.687 / 14.27-17.45	9.00±1.00 / 228.6±25.4					
* 5542MSS	1300970332	.625-.750 / 15.88-19.05	9.00±1.00 / 228.6±25.4					
5544MSS	1300970333	.687-.812 / 17.45-20.62	9.50±1.00 / 241.3±25.4	1	4	0.687 / 17.45	NO	NO
5546MSS	1300970630	.437-.562 / 11.10-14.27	6.00±0.50 / 152.4±12.7					
5548MSS	1300970334	.500-.625 / 12.70-15.88	6.75±0.50 / 171.5±12.7					
5550MSS	1300970631	.562-.687 / 14.27-17.45	9.00±1.00 / 228.6±25.4					
5552MSS	1300970335	.625-.750 / 15.88-19.05	9.00±1.00 / 228.6±25.4					
5554MSS	1300970336	.687-.812 / 17.45-20.62	9.50±1.00 / 241.3±25.4					
5556MSS	1300970337	.750-.875 / 19.05-22.23	9.50±1.00 / 241.3±25.4					
5558MSS	1300970632	.812-.937 / 20.62-23.80	8.75±1.00 / 222.3±25.4					
5560MSS	1300970338	.875-1.000 / 22.23-25.40	8.75±1.00 / 222.3±25.4					
5562MSS	1300970333	1.000-1.100 / 25.40-27.94	8.75±1.00 / 222.3±25.4					



* CABLE JACKET MAY HAVE TO BE STRIPPED FOR CLEARANCE.



ITEM	DESCRIPTION	MATERIAL
1	WIRE MESH	STAINLESS STEEL
2	INNER RING	STAINLESS STEEL
3	OUTER RING	STAINLESS STEEL
4	GROMMET	NITRILE PVC
5	THREADED BODY	STAINLESS STEEL
6	COMPRESSION NUT	STAINLESS STEEL
7	LABEL	MYLAR

RELEASE SALES DRAWING
 EC NO.: IFC2014-2088
 DRWN: HRUIZ01 2014/09/29
 CHKD: HKNEELAN 2014/09/29
 APPR: JFMURPHY 2014/11/18

QUALITY SYMBOL
 ▽=0
 ▽C=0

DESCRIPTION
 A

GENERAL TOLERANCES (UNLESS SPECIFIED)		DIMENSION STYLE INCH/MM		SCALE NTS	DESIGN UNITS INCH	THIRD ANGLE PROJECTION	
	mm	INCH	DRAWN BY	DATE	TITLE		
4 PLACES	±---	±---	HRUIZ01	2014/09/29	STRAIN RELIEF MAX-LOC METALLIC STRAIGHT MALE - ALL SST		
3 PLACES	±---	±.005	CHECKED BY	DATE			
2 PLACES	±.13	±.010	HKNEELAN	2014/09/29	MOLEX INCORPORATED		
1 PLACE	±.25	±.020	APPROVED BY	DATE			
ANGULAR ±1/2°		JFMURPHY		2014/11/18	SD-130097-102		
DRAFT WHERE APPLICABLE MUST REMAIN WITHIN DIMENSIONS		MATERIAL NO.		DATE			
		SEE TABLE					
		SIZE C		THIS DRAWING CONTAINS INFORMATION THAT IS PROPRIETARY TO MOLEX INCORPORATED AND SHOULD NOT BE USED WITHOUT WRITTEN PERMISSION			