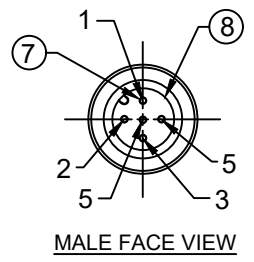
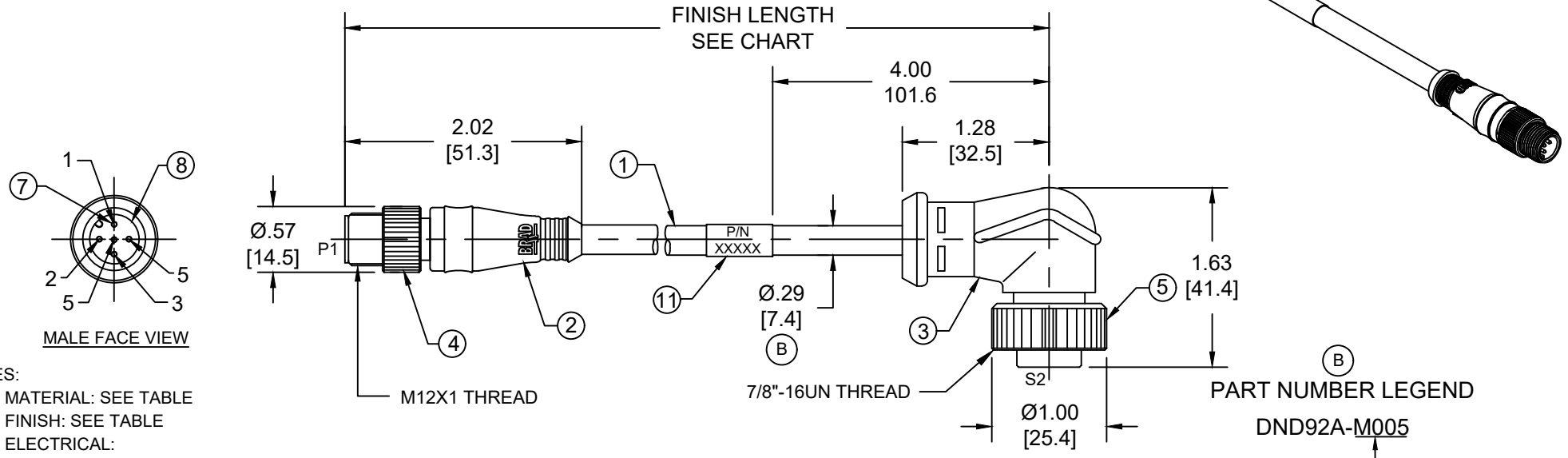
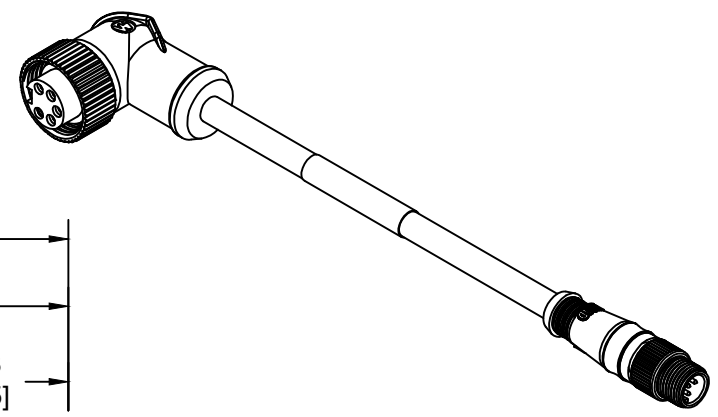


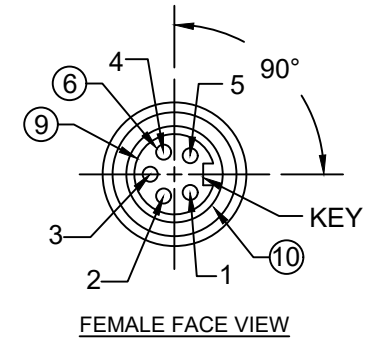
SAP P/N #	ENGINEERING P/N	FINISHED LENGTH
1300390208	DND92A-M005	0.5M [1FT 8 IN]
1300390211	DND92A-M020	2M [6FT 7 IN]
1300390213	DND92A-M050	5M [16FT 5 IN]



- NOTES:
- MATERIAL: SEE TABLE
 - FINISH: SEE TABLE
 - ELECTRICAL:
VOLTAGE: 250V
CURRENT: 4A
 - TEMP RATING: -20°C TO +80°C
 - PROTECTION: IP67 (WHEN MATED)
 - UL LISTED FILE: E152210 (B)
CSA CERTIFIED FILE: LR6837 (B)
 - ALL DIMENSIONS ARE FOR REFERENCE UNLESS TOLERANCED OR NOTED OTHERWISE

P1		S2
1	DRAIN	1
2	RED	2
3	BLACK	3
4	WHITE	4
5	BLUE	5

WIRING DIAGRAM



CABLE LENGTH TOLERANCES

<.3M [1FT]:	+19mm-0 [+.75in-0]
.3 - .9M [1 - 3FT]:	+44.5mm-0 [+1.75in-0]
.9 - 1.8M [3 - 6FT]:	+55.6mm-0 [+2.19in-0]
1.8 - 3.7M [6 - 12FT]:	+88.9mm-0 [+3.50in-0]
3.7 - 7.3M [12 - 24FT]:	+165.1mm-0 [+6.50in-0]
7.3-14.6M [24 - 48FT]:	+317.5mm-0 [+12.50in-0]
14.6 - 30.5M [48-100FT]:	+622.3mm-0 [+24.50in-0]
OVER 30M [100FT]	+2% OF FINISHED LENGTH

11	WRAP LABEL	VINYL	BLACK/YELLOW
10	FRICTION RING	NYLON	WHITE
9	FEMALE INSERT(MINI)	TPE	BLACK
8	MALE INSERT(MICRO)	NYLON	BLACK
7	PIN CONTACT	COPPER ALLOY	GOLD OVER NICKEL
6	SOCKET CONTACT	COPPER ALLOY	GOLD OVER NICKEL
5	COUPLING NUT(MINI)	ZINC DIE-CAST	BLACK E-COAT
4	COUPLING NUT(MICRO)	ZINC DIE-CAST	BLACK E-COAT
3	OVERMOLD(MINI)	TPC	GRAY
2	OVERMOLD(MICRO)	TPC	GRAY
1	DEVICENET DROP CABLE	PVC JACKET	GRAY
ITEM	COMPONENT	MATERIAL	FINISH

FUNCTIONAL SYMBOLS										THIS DRAWING CONTAINS INFORMATION THAT IS PROPRIETARY TO MOLEX ELECTRONIC TECHNOLOGIES, LLC AND SHOULD NOT BE USED WITHOUT WRITTEN PERMISSION									
DIMENSION UNITS					SCALE					CURRENT REV DESC: ITEM-2, 3 & 9 WERE PVC. ADDED ITEM-10, TOL CHART, UL, CSA, CABLE DIA AND PN LEGEND. MODIFIED PN CHART									
INCH/MM					NTS					EC NO: 720800					MICRO-MINI CHANGE DEVICENET, M12-A-SIZE, 5 POLE, MALE STRAIGHT-FEMALE 90DEG, SINGLE KEY, #22/4 AWG				
GENERAL TOLERANCES (UNLESS SPECIFIED)										DRWN: ABENJAMINLW 2022/07/28					PRODUCT CUSTOMER DRAWING				
mm					INCH					CHK'D: RSTONE 2022/09/09					DOCUMENT NUMBER				
4 PLACES ±----					±----					APPR: BWOODMAN 2022/09/09					SD-130039-024				
3 PLACES ±----					±----					INITIAL REVISION:					DOC TYPE/DOC PART/REVISION				
2 PLACES ±----					±----					DRWN: TWOLDEGE 2010/01/11					PSD 001 B				
1 PLACE ±----					±----					APPR: JFMURPHY 2010/01/20					MATERIAL NUMBER				
0 PLACES ±----					±----					THIRD ANGLE PROJECTION					CUSTOMER				
ANGULAR TOL ± ---- °					DRAWING					SERIES					SHEET NUMBER				
DRAFT WHERE APPLICABLE MUST REMAIN WITHIN DIMENSIONS										A-SIZE					130039				
SEE CHART										GENERAL MARKET					1 OF 1				

DOCUMENT STATUS	P1	RELEASE DATE	2022/09/09	18:08:09
-----------------	----	--------------	------------	----------