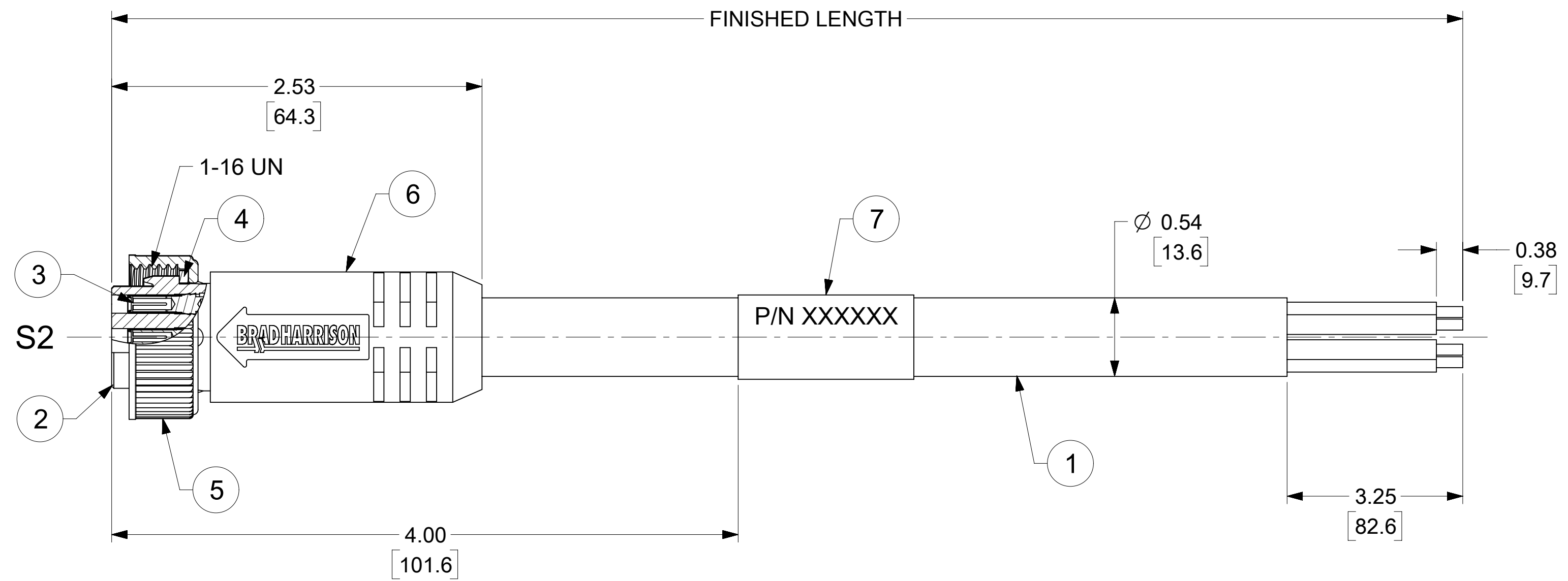
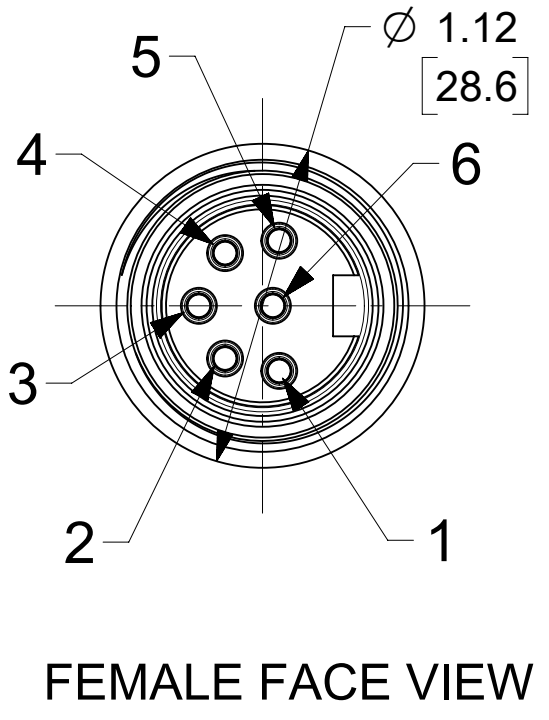
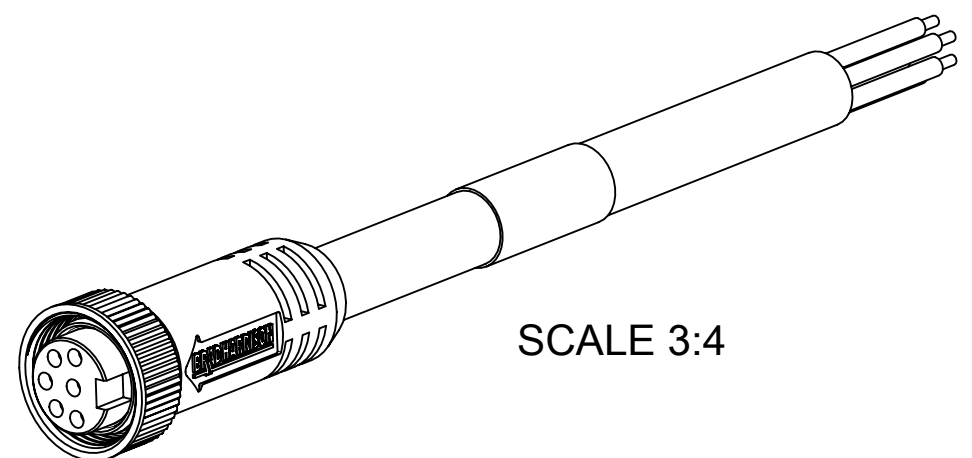


MATERIAL NO.	ENGINEERING NO.	FINISHED LENGTH
1300070022	206000A01F030	3 FT. (0.91 M)
1300070035	206000A01F450	45 FT. (13.71 M)
1300070441	206000A01F800	80 FT. (24.38 M)

CABLE LENGTH TOLERANCES
 <.3M [1FT]: +19mm-0 [+.75in-0]
 .3 - .9M [1 - 3FT]: +44.5mm-0 [+1.75in-0]
 .9 - 1.8M [3 - 6FT]: +55.6mm-0 [+2.19in-0]
 1.8 - 3.7M [6 - 12FT]: +88.9mm-0 [+3.50in-0]
 3.7 - 7.3M [12 - 24FT]: +165.1mm-0 [+6.50in-0]
 7.3-14.6M [24 - 48FT]: +317.5mm-0 [+12.50in-0]
 14.6 - 30.5M [48-100FT]: +622.3mm-0 [+24.50in-0]
 OVER 30M [100FT] +2% OF FINISHED LENGTH



- NOTES:**
- MATERIAL: AS NOTED
 - FINISH: AS NOTED
 - ELECTRICAL:
 VOLTAGE: 400V PER IEC60664 (B)
 600V PER UL2238
 CURRENT: 8A
 - TEMP RATING: -20°C TO +105°C (B)
 - PROTECTION: IP67 (WHEN MATED)
 - CSA CERTIFIED FILE: LR6837 (B)
 - UL RECOGNIZED FILE: E152210 (B)
 - ALL DIMS ARE FOR REFERENCE UNLESS TOLERANCED OR NOTED OTHERWISE

WIRING DIAGRAM

S2	Color
1	ORANGE
2	BLUE
3	BLACK
4	WHITE
5	RED
6	GREEN/YELLOW

PART NUMBER LEGEND (B)

206000A01F060

FINISHED LENGTH
 F001= .1 FT
 F020= 2 FT
 F200= 20 FT

ITEM	DESCRIPTION	MATERIAL	FINISH
7	WRAP LABEL	VINYL	BLACK/YELLOW (B)
6	OVERMOLD	TPE	YELLOW (B)
5	COUPLING NUT	ZINC DIE CAST	BLACK E-COAT (B)
4	FRICTION RING	NYLON	WHITE (B)
3	SOCKET CONTACT	Cu ALLOY	GOLD OVER NICKEL (B)
2	FEMALE INSERT	TPE	YELLOW (B)
1	CABLE, 16-6, STOOV/ST	PVC JACKET	YELLOW (B)
7	WRAP LABEL	VINYL	BLACK/YELLOW (B)
6	OVERMOLD	TPE	YELLOW (B)
5	COUPLING NUT	ZINC DIE CAST	BLACK E-COAT (B)
4	FRICTION RING	NYLON	WHITE (B)
3	SOCKET CONTACT	Cu ALLOY	GOLD OVER NICKEL (B)
2	FEMALE INSERT	TPE	YELLOW (B)
1	CABLE, 16-6, STOOV/ST	PVC JACKET	YELLOW (B)
7	WRAP LABEL	VINYL	BLACK/YELLOW (B)
6	OVERMOLD	TPE	YELLOW (B)
5	COUPLING NUT	ZINC DIE CAST	BLACK E-COAT (B)
4	FRICTION RING	NYLON	WHITE (B)
3	SOCKET CONTACT	Cu ALLOY	GOLD OVER NICKEL (B)
2	FEMALE INSERT	TPE	YELLOW (B)
1	CABLE, 16-6, STOOV/ST	PVC JACKET	YELLOW (B)
7	WRAP LABEL	VINYL	BLACK/YELLOW (B)
6	OVERMOLD	TPE	YELLOW (B)
5	COUPLING NUT	ZINC DIE CAST	BLACK E-COAT (B)
4	FRICTION RING	NYLON	WHITE (B)
3	SOCKET CONTACT	Cu ALLOY	GOLD OVER NICKEL (B)
2	FEMALE INSERT	TPE	YELLOW (B)
1	CABLE, 16-6, STOOV/ST	PVC JACKET	YELLOW (B)

FUNCTIONAL SYMBOLS	THIS DRAWING CONTAINS INFORMATION THAT IS PROPRIETARY TO MOLEX ELECTRONIC TECHNOLOGIES, LLC AND SHOULD NOT BE USED WITHOUT WRITTEN PERMISSION			
	DIMENSION UNITS		SCALE	
	INCH/MM		1.5:1	
	GENERAL TOLERANCES (UNLESS SPECIFIED)			
DIVISIONAL SYMBOLS	4 PLACES ±		MM	
	3 PLACES ±		INCH	
	2 PLACES ±		±	
	1 PLACE ±		±	
0 PLACES ±		±		
ANGULAR TOL ± °		± °		
DRAFT WHERE APPLICABLE MUST REMAIN WITHIN DIMENSIONS		THIRD ANGLE PROJECTION		
DRAWING		SERIES		
C-SIZE		130007		

CURRENT REV DESC: ITEM 2,6 WERE PVC & 7 WAS PLASTIC FILM, 3 & 4 REDUCED TO 1. ADDED CSA, IEC VOLT, TEMP & IP RATING, TOL. CHART & P/N LEGEND. MODIFIED P/N TABLE.					
EC NO: 709714	2021/06/02				
DRWN: VHANDI	2022/06/08				
CHK'D: RSTONE	2022/06/14				
APPR: BWOODMAN	2022/06/14	PRODUCT CUSTOMER DRAWING			
INITIAL REVISION:		DOCUMENT NUMBER	DOC TYPE	DOC PART	REVISION
DRWN: RSTONE	2009/04/03	SD-130007-001	PSD	001	B
APPR: JFMURPHY	2009/04/08	MATERIAL NUMBER	CUSTOMER	SHEET NUMBER	
SEE TABLE		GENERAL MARKET	1 OF 1		