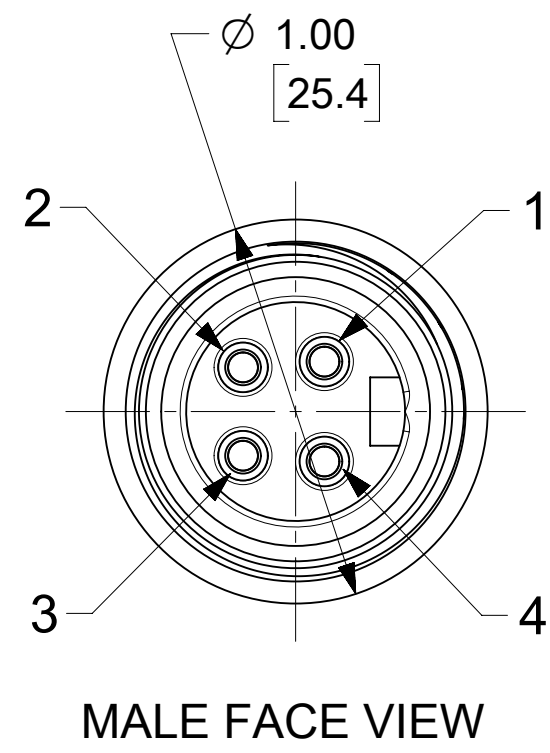
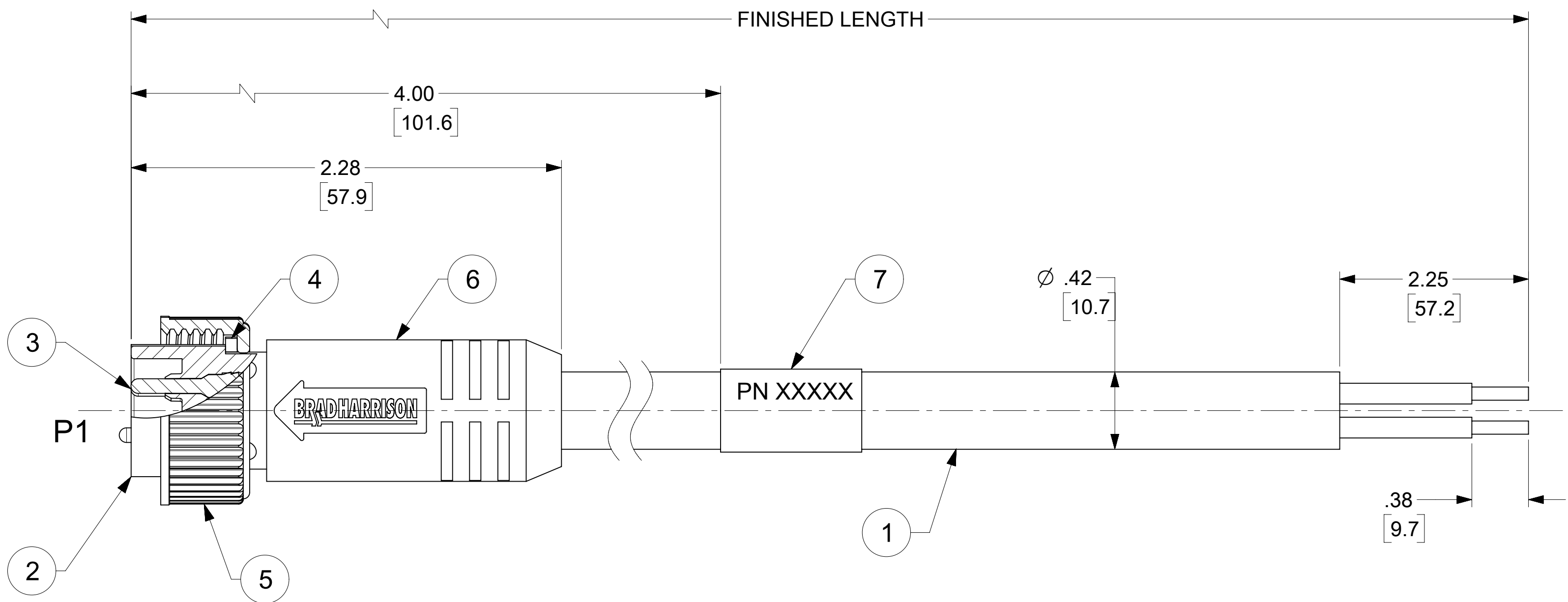
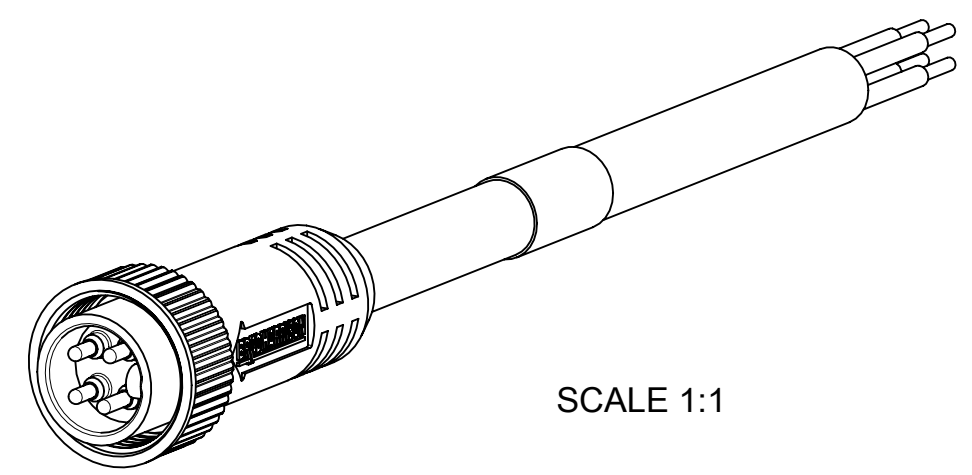


MATERIAL NO.	ENGINEERING NO.	FINISHED LENGTH
1300060991	104002A01F030	3 FT. (0.91 M)
1300061002	104002A01F120	12 FT. (3.66 M)
1300061009	104002A01F200	20 FT. (6.07 M)

CABLE LENGTH TOLERANCES
 <.3M [1FT]: +19mm-0 [+.75in-0]
 .3 - .9M [1 - 3FT]: +44.5mm-0 [+1.75in-0]
 .9 - 1.8M [3 - 6FT]: +55.6mm-0 [+2.19in-0]
 1.8 - 3.7M [6 - 12FT]: +88.9mm-0 [+3.50in-0]
 3.7 - 7.3M [12 - 24FT]: +165.1mm-0 [+6.50in-0]
 7.3-14.6M [24 - 48FT]: +317.5mm-0 [+12.50in-0]
 14.6 - 30.5M [48-100FT]: +622.3mm-0 [+24.50in-0]
 OVER 30M [100FT] +2% OF FINISHED LENGTH



- NOTES:**
- MATERIAL: AS NOTED
 - FINISH: AS NOTED
 - ELECTRICAL:
 VOLTAGE: 483V PER IEC60664 (B)
 600V PER UL2238
 CURRENT: 10A
 - TEMP RATING: -20°C TO +105°C (B)
 - PROTECTION: IP67 (WHEN MATED)
 - CSA CERTIFIED FILE: LR6837
 - UL RECOGNIZED FILE: E152210 (B)
 - COUPLING THREAD: 7/8"-16UN
 - ALL DIMS ARE FOR REFERENCE UNLESS TOLERANCED OR NOTED OTHERWISE

WIRING DIAGRAM

P1	Color
1	BLACK
2	WHITE
3	RED
4	GREEN/YELLOW

PART NUMBER LEGEND (B)

104002A01F030

FINISHED LENGTH
 F001= .1 FT
 F020= 2 FT
 F200= 20 FT

ITEM	DESCRIPTION	MATERIAL	FINISH
7	WRAP LABEL	VINYL	BLACK/YELLOW (B)
6	OVERMOLD	TPE	YELLOW (B)
5	COUPLING NUT	ZINC DIE-CAST	BLACK E-COAT
4	FRICTION RING	NYLON	WHITE
3	PIN CONTACT	Cu ALLOY	GOLD OVER NICKEL
2	MALE INSERT	TPE	YELLOW (B)
1	#16-4 CABLE,STOOW/ST	PVC JACKET	YELLOW (B)

FUNCTIONAL SYMBOLS										THIS DRAWING CONTAINS INFORMATION THAT IS PROPRIETARY TO MOLEX ELECTRONIC TECHNOLOGIES, LLC AND SHOULD NOT BE USED WITHOUT WRITTEN PERMISSION																													
DIMENSION UNITS					SCALE					CURRENT REV DESC: UPDATED ITEM #1 WAS GRAY FINISH 2,6 WERE PVC 7 WAS PLASTIC FILM & MATERIAL TABLE. ADDED CSA, UL, IEC VOLT, TEMP & IP RATING, TOL. CHART & PART NO. LEGNED.																													
INCH/MM					2:1																																		
GENERAL TOLERANCES (UNLESS SPECIFIED)										EC NO: 718076																													
4 PLACES ±					MM					INCH					DRWN: VHANDI 2021/09/30																								
3 PLACES ±															CHK'D: RSTONE 2022/08/18																								
2 PLACES ±															APPR: BWOODMAN 2022/08/22																								
1 PLACE ±															INITIAL REVISION:																								
0 PLACES ±															DRWN: LHARTMANN 2009/06/05																								
ANGULAR TOL ± °															APPR: JFMURPHY 2009/06/08																								
DRAFT WHERE APPLICABLE MUST REMAIN WITHIN DIMENSIONS										THIRD ANGLE PROJECTION										DRAWING SERIES																			
										C-SIZE										130006																			
DOCUMENT STATUS										P1										RELEASE DATE										2022/08/22 20:40:18									
DOCUMENT NUMBER										SD-130006-004										DOC TYPE										PSD									
CUSTOMER										GENERAL MARKET										DOC PART										001									
SHEET NUMBER										1 OF 1																													