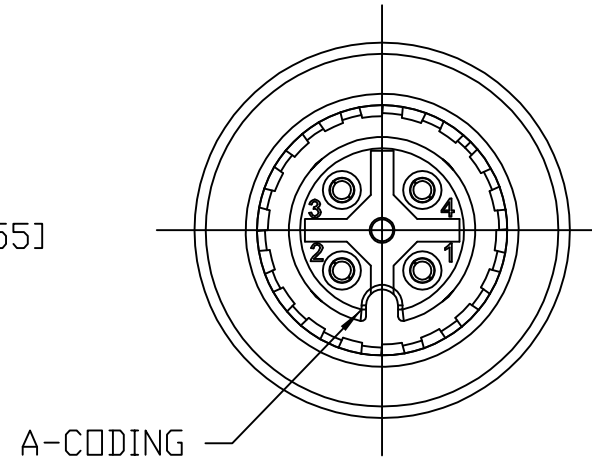
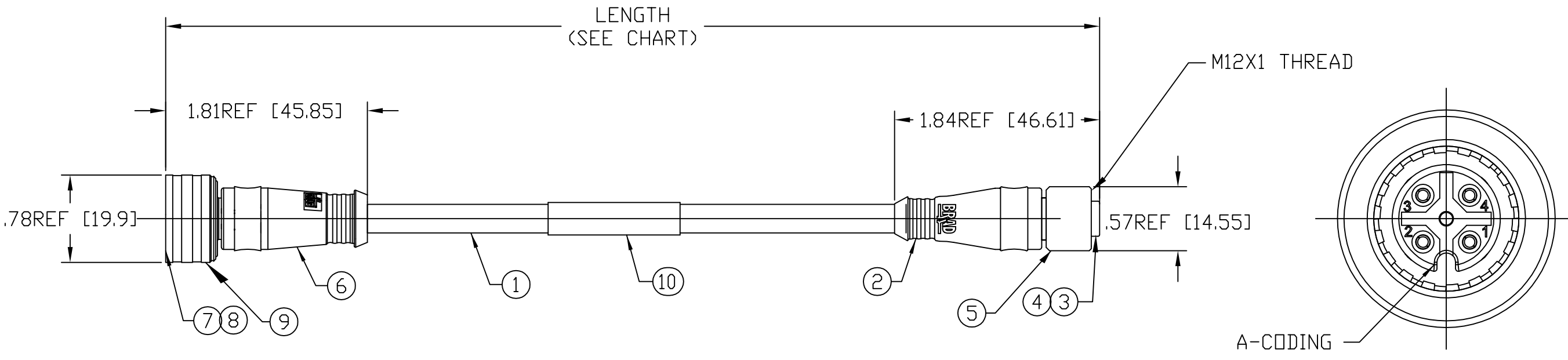
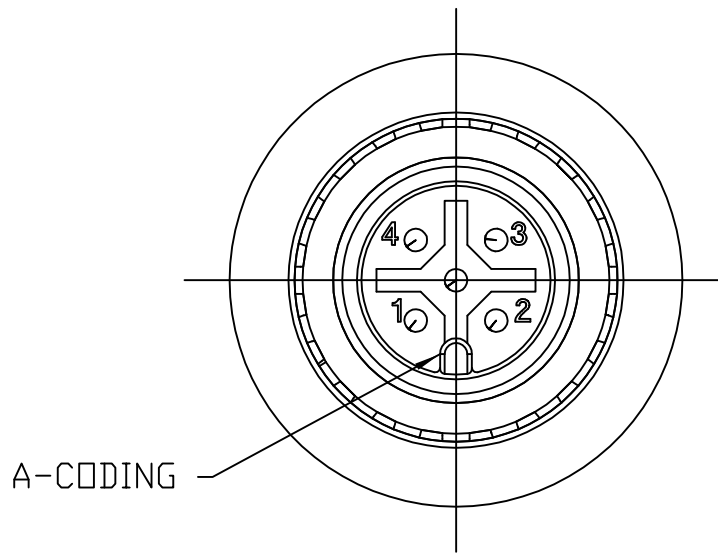
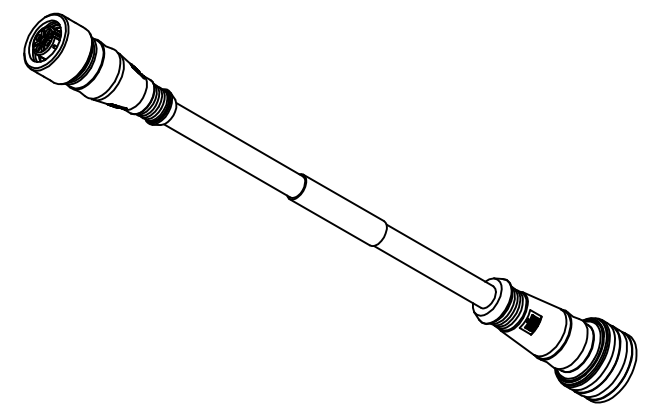


PART NUMBER	ENGINEERING NO.	LENGTH
1200800455	8W4030K05M006	2' 0" +1.8 - 0 [.6M +45MM - 0]
1200800073	8W4030K05M010	3' 3" +2.2 - 0 [1M +55MM - 0]
1200800074	8W4030K05M020	6' 6" +3.5" - 0 [2M +90MM - 0]
1200800442	8W4030K05M030	9' 8" +3.5" - 0 [3M +90MM - 0]
1200800075	8W4030K05M040	13' 1" +6" - 0 [4M +150MM - 0]
1200800076	8W4030K05M050	16' 4" +6" - 0 [5M +150MM - 0]



NOTES:

- 1) MATERIAL: SEE TABLE
- 2) FINISHES: SEE TABLE
- 3) WRAP LABEL IS MARKED WITH P/N, DATE CODE, VOLTAGE & AMPERAGE.
- 4) MATES WITH: MICRO CHANGE, 4 POLE RECEPTACLE
- 5) ELECTRICAL DATA:
 INLINE CORDSET
 MALE A-CODING TO FEMALE A-CODING
 22AWG UNSHIELDED
 POLES: 4
 MAX. VOLTAGE: 250V
 MAX. CURRENT 4A
 CONTACT RESISTANCE: <5M Ohm
 PROTECTION IP67/68/69K
 TEMPERATURE RANGE: -25°C TO 90°C
- 6) PACKAGING:
 CABLE ASSEMBLIES ARE BAGGED SEPERATELY
 IN POLY BAGS WITH BAR CODE LABEL ATTACHED
 TO OUTSIDE OF BAG.
- 7) ASSEMBLY IS RoHS COMPLIANT.
- 8) CERTIFICATION
 cCSAus

P1		P2
1	BROWN	1
2	WHITE	2
3	BLUE	3
4	BLACK	4

WIRING DIAGRAM

ITEM	QTY.	DESCRIPTION	MATERIAL	FINISH
10	1	LABEL	PLASTIC FILM	BLACK/YELLOW
9	1	MALE COUPLING NUT	BRASS	NICKEL PLATED
8	4	PIN CONTACT	COPPER ALLOY	GOLD PLATED
7	1	MALE INSERT	PUR	BLACK
6	1	MALE OVERMOLD	RITFLEX	YELLOW
5	1	FEMALE COUPLING NUT	BRASS	NICKEL PLATED
4	4	SOCKET CONTACT	COPPER ALLOY	GOLD PLATED
3	1	FEMALE INSERT	PUR	BLACK
2	1	FEMALE OVERMOLD	RITFLEX	YELLOW
1	1	CABLE, 22AWG-4	TPE JACKET	YELLOW

RELEASE EC NO: WEU2010-0003 DRWN: TWOLDEGE 7/7/09 CH'KD: BWOODMAN APPR: JFMURPHY 2009/07/20	QUALITY SYMBOL ▽=0 ▽C=0	GENERAL TOLERANCES (UNLESS SPECIFIED)		DIMENSION STYLE IN/MM		SCALE 1:1	DESIGN UNITS INCH	THIRD ANGLE PROJECTION			
		4 PLACES ±--- ±--- 3 PLACES ±.005 ±.005 2 PLACES ±.013 ±.010 1 PLACE ±.025 ±.020		DRAWN BY DATE TWOLDEGE 2009/07/07		CHECKED BY DATE BWOODMAN 2009/07/07		TITLE MICRO CHANGE ASSEMBLY 4-P M/FE ST/ST ULOCK/M12 22/4AWG TPE			
		ANGULAR ±---°		APPROVED BY DATE -----		MATERIAL NO. SEE CHANRT		MOLEX INCORPORATED		DOCUMENT NO. SD-120080-005	
		DRAFT WHERE APPLICABLE MUST REMAIN WITHIN DIMENSIONS		SIZE C		THIS DRAWING CONTAINS INFORMATION THAT IS PROPRIETARY TO MOLEX INCORPORATED AND SHOULD NOT BE USED WITHOUT WRITTEN PERMISSION					