

SPECIFICATION FOR APPROVAL



TO: _____

PART NO.		REV.		DELTA SAMPLE ISSUE NO	
PART NAME	EMI FILTER			DELTA MODEL	03AR2D
ORDER P/N.	03AR2D			SAMPLE ISSUE DATE	

1. ELECTRICAL CHARACTERISTICS:

- 1-1. VOLTAGE RATING 115/250VAC
- 1-2. CURRENT RATING
 - A. AT 115VAC 3 A RMS Max.
 - B. AT 250VAC 3 A RMS Max.
- 1-3. OPERATING FREQUENCY..... 50/60 Hz
- 1-4. LEAKAGE CURRENT: EACH LINE TO GROUND
 - A. @115VAC 60Hz 0.20 mA MAX.
 - B. @250VAC 50Hz 0.40 mA MAX.
- 1-5. HIPOT RATING (FOR ONE MINUTE)
 - A. LINE TO GROUND 2250VDC
 - B. LINE TO LINE 1450VDC
- 1-6. TEMPERATURE RANGE: -25 TO +100 DEGREE C
- 1-7. MINIMUM INSERTION LOSS IN dB: (AT 50 OHM SYSTEM)

FREQ. MHz	.01	.05	.10	.15	.50	1.0	5.0	10	30
COM. MODE dB	12	18	28	40	60	60	45	40	30
DIF. MODE dB	/	3	5	6	45	55	50	45	40

1-8. SAFETY

REPORT BY	CHECKED BY	APPROVED BY		
			REV.	

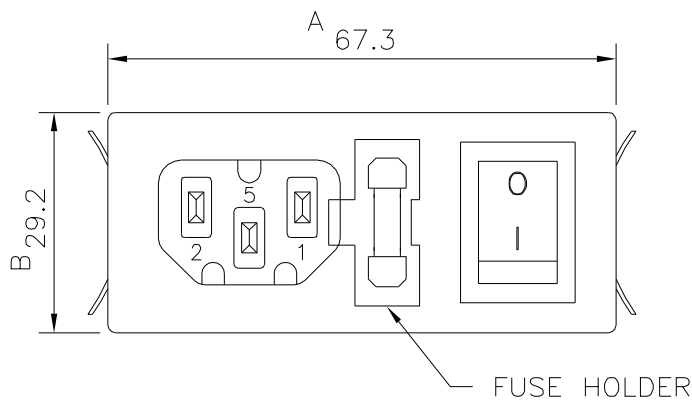
SPECIFICATION FOR APPROVAL



TO: _____

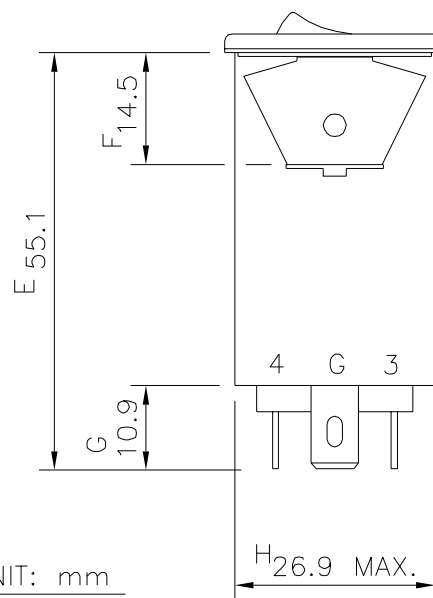
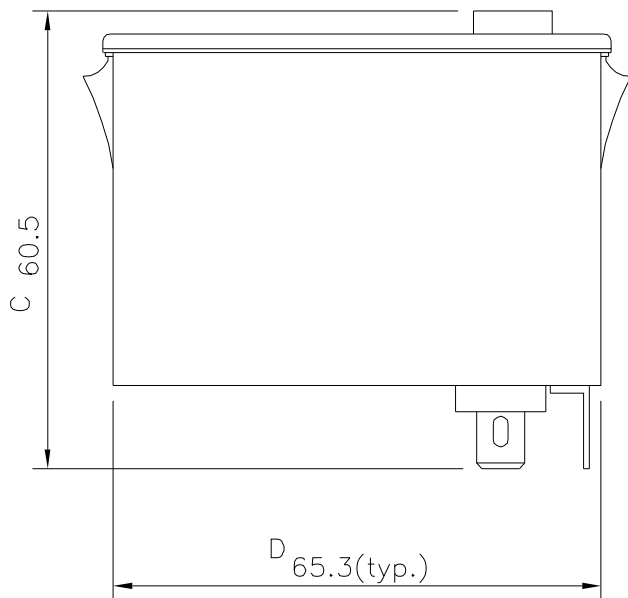
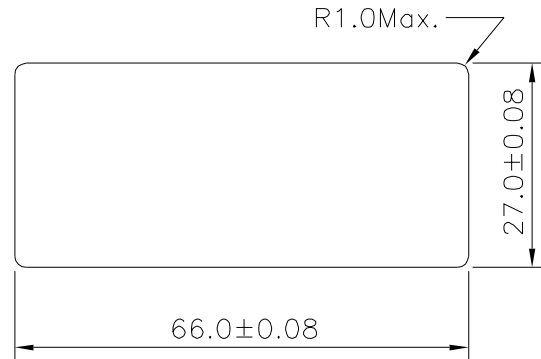
PART NO.		REV.		DELTA SAMPLE ISSUE NO	
PART NAME	EMI FILTER		DELTA MODEL	03AR2D	
ORDER P/N.	03AR2D		SAMPLE ISSUE DATE		

2. PHYSICAL DIMENSIONS:



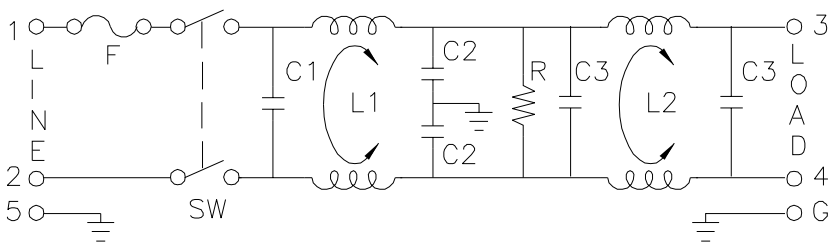
* SUGGESTED THICKNESS OF MOUNTING PANEL IS FROM 1.0 TO 1.6 mm

* SUGGEST MOUNTING CUTOUT



UNIT: mm

3. SCHEMATIC:



- L1: 9mH
- L2: 1.0mH
- C1: 0.033uF
- C2: 2200pF
- C3: 0.1uF
- R: 1.0MΩ

REPORT BY	CHECKED BY	APPROVED BY	UNLESS OTHERWISE SPECIFIED DIMENSION TOLERANCE DECIMALS .X± .XX± ANGLES±		
			REV.		

DELTA ELECTRONICS, INC.

186 RUEY KUANG ROAD, NEIHU. TAIPEI 114,
TAIWAN, R.O.C.
TEL:886-2-87972088 FAX:886-2-87972120