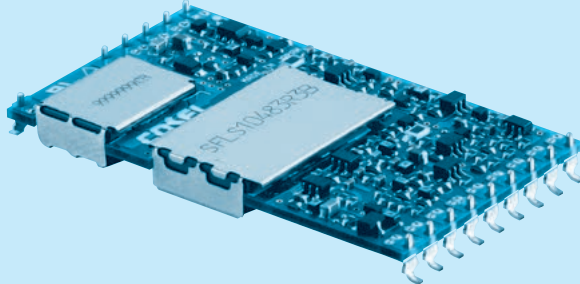
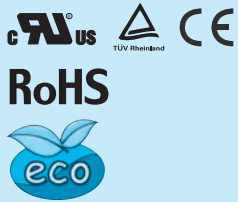


SFLS10

SFL **S** **10** **48** **3R3** **B**

① ② ③ ④ ⑤ ⑥



- ① Series name
- ② Single output
- ③ Output wattage
- ④ Input voltage
48:DC36 - 76V
- ⑤ Output voltage
- ⑥ Mounting type
B :SMD

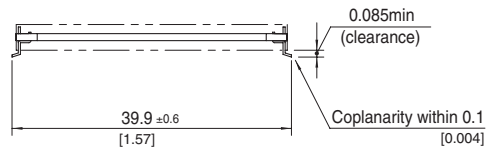
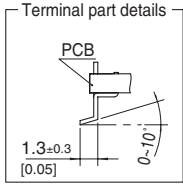
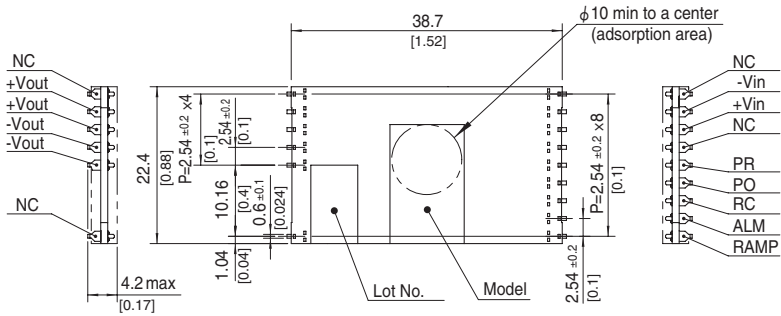
MODEL	SFLS10482R5	SFLS10483R3	SFLS104805
MAX OUTPUT WATTAGE[W]	7.5	9.9	10.0
DC OUTPUT	2.5V 3A	3.3V 3A	5V 2A

SPECIFICATIONS

	MODEL	SFLS10482R5	SFLS10483R3	SFLS104805
INPUT	VOLTAGE[V]	DC36 - 76		
	CURRENT[A]	*1 0.18typ	0.24typ	0.24typ
	EFFICIENCY[%]	*1 86typ	87typ	88typ
	START-UP VOLTAGE[V]	DC32 - 36		
	HYSTERESIS VOLTAGE[V]	DC2 min		
OUTPUT	VOLTAGE[V]	2.5	3.3	5
	CURRENT[A]	3	3	2
	VOLTAGE ACCURACY[%]	+5, -3		
	RIPPLE[mVp-p]	25max		
	RIPPLE NOISE[mVp-p]	50max		
START-UP TIME[ms]	20 - 100max (DCIN 48V, Io=100%)			
PROTECTION CIRCUIT AND OTHERS	OVERCURRENT PROTECTION	Works over 103% of rating		
	OVERVOLTAGE PROTECTION	Works at 115 - 150% of rating		
	LOWVOLTAGE PROTECTION	Works at 93% max of rating		
	REMOTE ON/OFF	Provided(RC open : ON, short between RC and +Vin : OFF)		
ISOLATION	INPUT-OUTPUT	DC1,500V 1minute, DC500V 50MΩ min (20±15℃)		
ENVIRONMENT	OPERATING TEMP.,HUMID.AND ALTITUDE	-40 to +85℃, 20 - 95%RH (Non condensing), 3,000m (10,000feet) max		
	STORAGE TEMP.,HUMID.AND ALTITUDE	-40 to +100℃, 20 - 95%RH (Non condensing), 9,000m (30,000feet) max (Refer to the Instruction Manual)		
	VIBRATION	10 - 55Hz, 49.0m/s ² (5G), 3minutes period, 60minutes each along X, Y and Z axis		
	IMPACT	196.1m/s ² (20G), 11ms, once each X, Y and Z axis		
SAFETY	AGENCY APPROVALS	UL60950-1, C-UL (CSA60950-1), EN60950-1		
OTHERS	CASE SIZE/WEIGHT	38.7 × 4.2 × 22.4mm [1.52 × 0.166 × 0.88 inches] (W × H × D) / 8g max		
	COOLING METHOD	Convection		

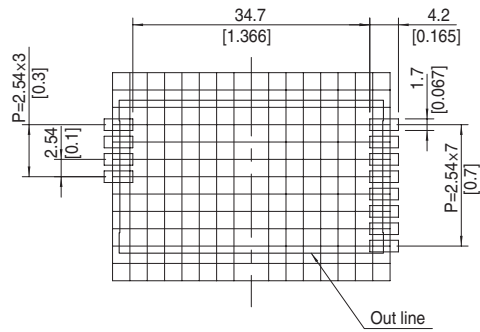
*1 At rated input(DC48V), rated load and 25℃

External view



- ※Dimensions in mm, []= inches
- ※Tolerance ±0.5 [±0.02]
- ※Weight:8g max
- ※Terminal thickness:0.3±0.1 [0.012]
- Terminal material:copper alloy
- Plating treatment of terminal
- :Sn with Ni barreir

Recommended size for processing PCB (TOP VIEW)

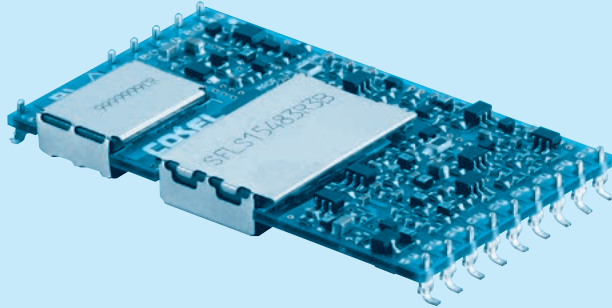
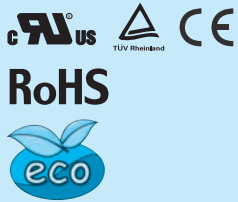


- ※Dimensions in: $\frac{\text{mm}}{\text{[inch]}}$
- ※Div.: 0.1inch

SFLS15

SFL S 15 48 3R3 B

① ② ③ ④ ⑤ ⑥



- ① Series name
- ② Single output
- ③ Output wattage
- ④ Input voltage
48:DC36 - 76V
- ⑤ Output voltage
- ⑥ Mounting type
B :SMD

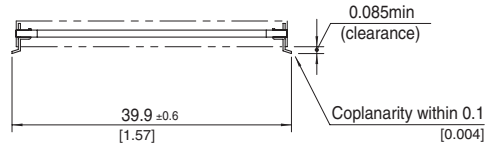
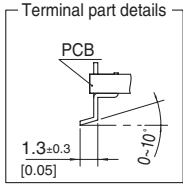
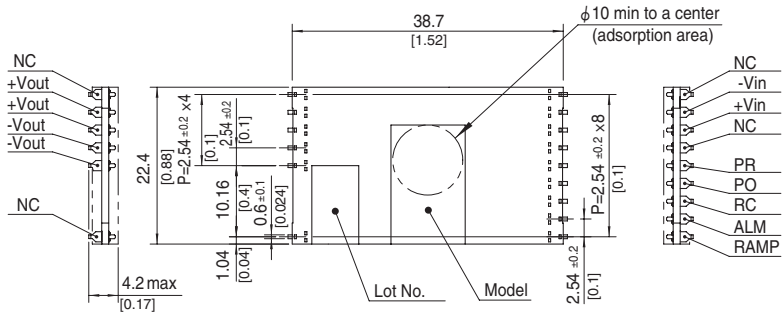
MODEL	SFLS15481R2	SFLS15481R5	SFLS15481R8	SFLS15482R5	SFLS15483R3	SFLS154805	SFLS15485R2	SFLS154812
MAX OUTPUT WATTAGE[W]	6.24	7.8	8.1	11.25	14.85	15.0	15.6	15.0
DC OUTPUT	1.2V 5.2A	1.5V 5.2A	1.8V 4.5A	2.5V 4.5A	3.3V 4.5A	5V 3A	5.2V 3A	12V 1.25A

SPECIFICATIONS

	MODEL	SFLS15481R2	SFLS15481R5	SFLS15481R8	SFLS15482R5	SFLS15483R3	SFLS154805	SFLS15485R2	SFLS154812
INPUT	VOLTAGE[V]	DC36 - 76							
	CURRENT[A]	*1 0.16typ	0.20typ	0.20typ	0.27typ	0.35typ	0.35typ	0.37typ	0.35typ
	EFFICIENCY[%]	*1 81typ	82typ	85typ	87typ	89typ	89typ	89typ	89typ
	START-UP VOLTAGE[V]	DC32 - 36							
	HYSTERESIS VOLTAGE[V]	DC2 min							
OUTPUT	VOLTAGE[V]	1.2	1.5	1.8	2.5	3.3	5	5.2	12
	CURRENT[A]	5.2	5.2	4.5	4.5	4.5	3	3	1.25
	VOLTAGE ACCURACY[%]	+5, -3							
	RIPPLE[mVp-p]	25max							
	RIPPLE NOISE[mVp-p]	50max							
START-UP TIME[ms]	20 - 100max (DCIN 48V, Io=100%)								
PROTECTION CIRCUIT AND OTHERS	OVERCURRENT PROTECTION	Works over 103% of rating							
	OVERVOLTAGE PROTECTION	Works at 115 - 160% of rating				Works at 115 - 150% of rating			
	LOWVOLTAGE PROTECTION	Works at 93% max of rating							
	REMOTE ON/OFF	Provided(RC open : ON, short between RC and +Vin : OFF)							
ISOLATION	INPUT-OUTPUT	DC1,500V 1minute, DC500V 50MΩ min (20±15°C)							
ENVIRONMENT	OPERATING TEMP.,HUMID.AND ALTITUDE	-40 to +85°C, 20 - 95%RH (Non condensing), 3,000m (10,000feet) max							
	STORAGE TEMP.,HUMID.AND ALTITUDE	-40 to +100°C, 20 - 95%RH (Non condensing), 9,000m (30,000feet) max (Refer to the Instruction Manual)							
	VIBRATION	10 - 55Hz, 49.0m/s ² (5G), 3minutes period, 60minutes each along X, Y and Z axis							
	IMPACT	196.1m/s ² (20G), 11ms, once each X, Y and Z axis							
SAFETY	AGENCY APPROVALS	UL60950-1, C-UL (CSA60950-1), EN60950-1							
OTHERS	CASE SIZE/WEIGHT	38.7 × 4.2 × 22.4mm [1.52 × 0.166 × 0.88 inches] (W × H × D) / 8g max							
	COOLING METHOD	Convection							

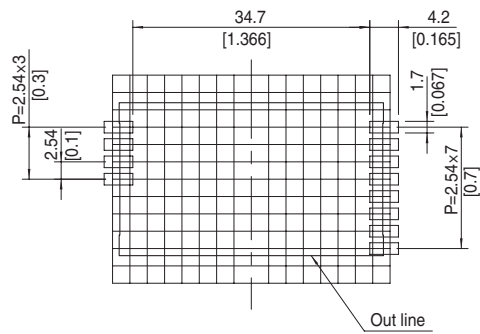
*1 At rated input(DC48V), rated load and 25°C

External view



- ※Dimensions in mm, []= inches
- ※Tolerance ± 0.5 [± 0.02]
- ※Weight: 8g max
- ※Terminal thickness: 0.3 ± 0.1 [0.012]
- Terminal material: copper alloy
- Plating treatment of terminal
:Sn with Ni barreir

Recommended size for processing PCB (TOP VIEW)



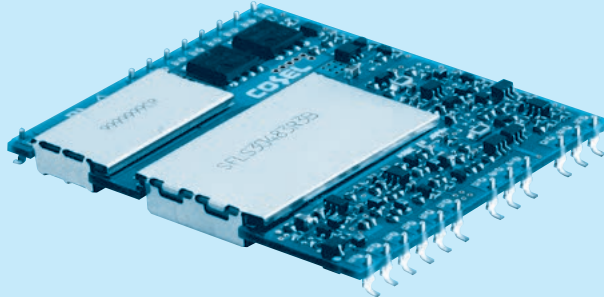
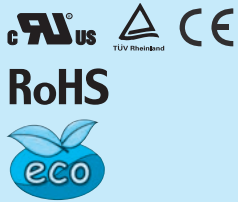
※Dimensions in: $\frac{\text{mm}}{\text{[inch]}}$

※Div.: 0.1inch

SFLS30

SFL S 30 48 3R3 B

① ② ③ ④ ⑤ ⑥



- ① Series name
- ② Single output
- ③ Output wattage
- ④ Input voltage
48:DC36 - 76V
- ⑤ Output voltage
- ⑥ Mounting type
B :SMD

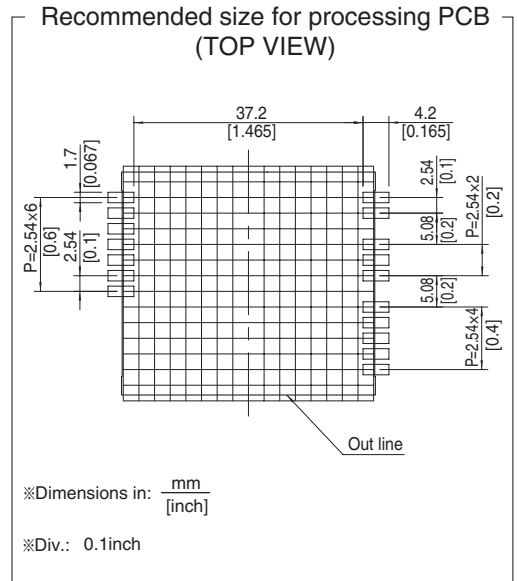
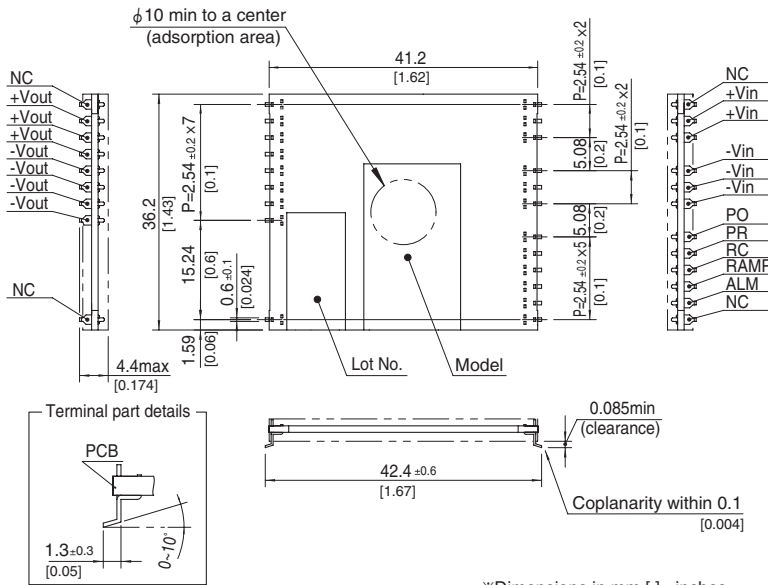
MODEL	SFLS30481R2	SFLS30481R5	SFLS30481R8	SFLS30482R5	SFLS30483R3	SFLS304805
MAX OUTPUT WATTAGE[W]	14.4	16.5	19.8	25.0	29.7	30.0
DC OUTPUT	1.2V 12A	1.5V 11A	1.8V 11A	2.5V 10A	3.3V 9A	5V 6A

SPECIFICATIONS

	MODEL	SFLS30481R2	SFLS30481R5	SFLS30481R8	SFLS30482R5	SFLS30483R3	SFLS304805
INPUT	VOLTAGE[V]	DC36 - 76					
	CURRENT[A]	*1 0.36typ	0.40typ	0.47typ	0.58typ	0.68typ	0.69typ
	EFFICIENCY[%]	*1 84typ	86typ	88typ	90typ	91typ	91typ
	START-UP VOLTAGE[V]	DC32 - 36					
	HYSTERESIS VOLTAGE[V]	DC2 min					
OUTPUT	VOLTAGE[V]	1.2	1.5	1.8	2.5	3.3	5
	CURRENT[A]	12	11	11	10	9	6
	VOLTAGE ACCURACY[%]	+5, -3					
	RIPPLE[mVp-p]	25max					
	RIPPLE NOISE[mVp-p]	50max					
START-UP TIME[ms]	20 - 100max (DCIN 48V, Io=100%)						
PROTECTION CIRCUIT AND OTHERS	OVERCURRENT PROTECTION	Works over 103% of rating					
	OVERVOLTAGE PROTECTION	Works at 115 - 160% of rating			Works at 115 - 150% of rating		
	LOWVOLTAGE PROTECTION	Works at 93% max of rating					
	REMOTE ON/OFF	Provided(RC open : ON, short between RC and +Vin : OFF)					
ISOLATION	INPUT-OUTPUT	DC1,500V 1minute, DC500V 50MΩ min (20±15°C)					
ENVIRONMENT	OPERATING TEMP.,HUMID.AND ALTITUDE	-40 to +85°C, 20 - 95%RH (Non condensing), 3,000m (10,000feet) max					
	STORAGE TEMP.,HUMID.AND ALTITUDE	-40 to +100°C, 20 - 95%RH (Non condensing), 9,000m (30,000feet) max (Refer to the Instruction Manual)					
	VIBRATION	10 - 55Hz, 49.0m/s ² (5G), 3minutes period, 60minutes each along X, Y and Z axis					
	IMPACT	196.1m/s ² (20G), 11ms, once each X, Y and Z axis					
SAFETY	AGENCY APPROVALS	UL60950-1, C-UL (CSA60950-1), EN60950-1					
OTHERS	CASE SIZE/WEIGHT	41.2 × 4.4 × 36.2mm [1.62 × 0.174 × 1.43 inches] (W × H × D) / 16g max					
	COOLING METHOD	Convection					

*1 At rated input(DC48V), rated load and 25°C

External view



- ※Dimensions in mm, []= inches
- ※Tolerance ± 0.5 [± 0.02]
- ※Weight: 16g max
- ※Terminal thickness: 0.3 ± 0.1 [0.012]
- Terminal material: copper alloy
- Plating treatment of terminal: Sn with Ni barreir