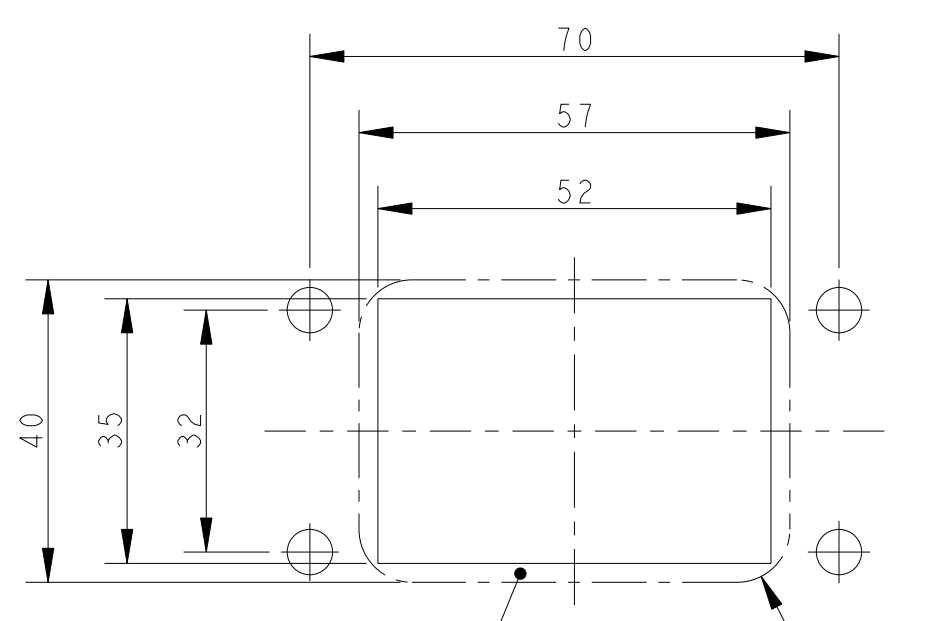
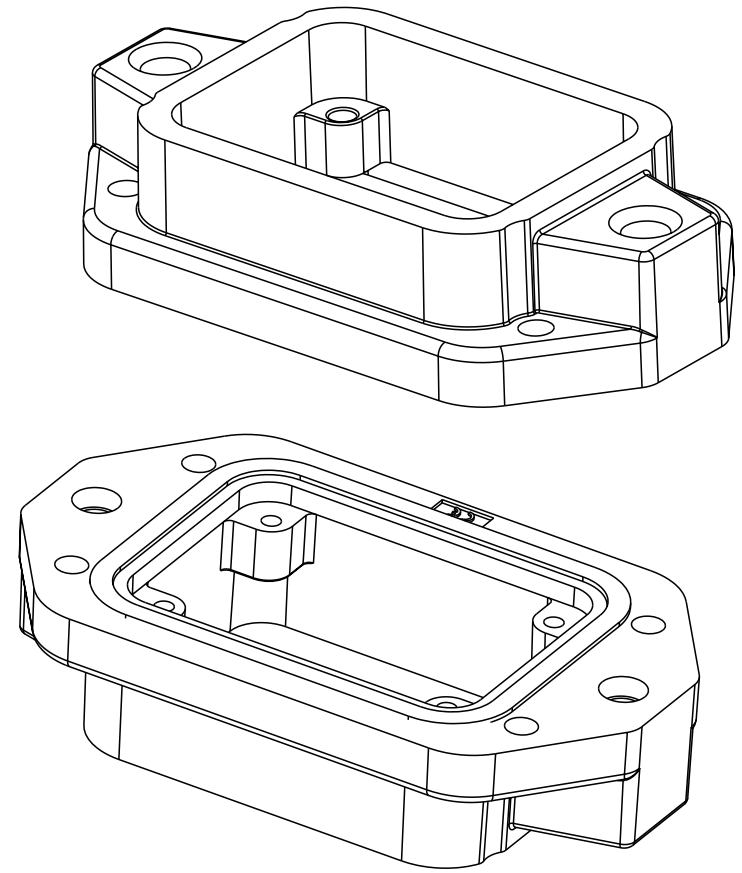
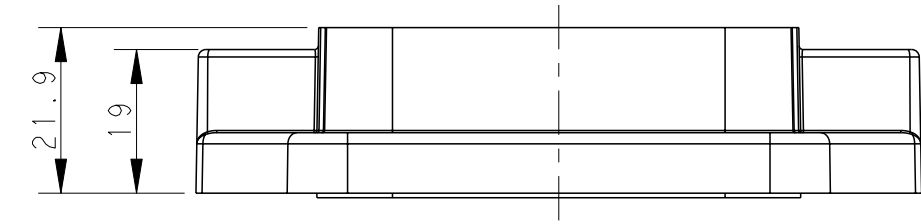
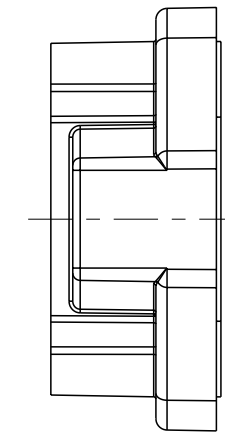
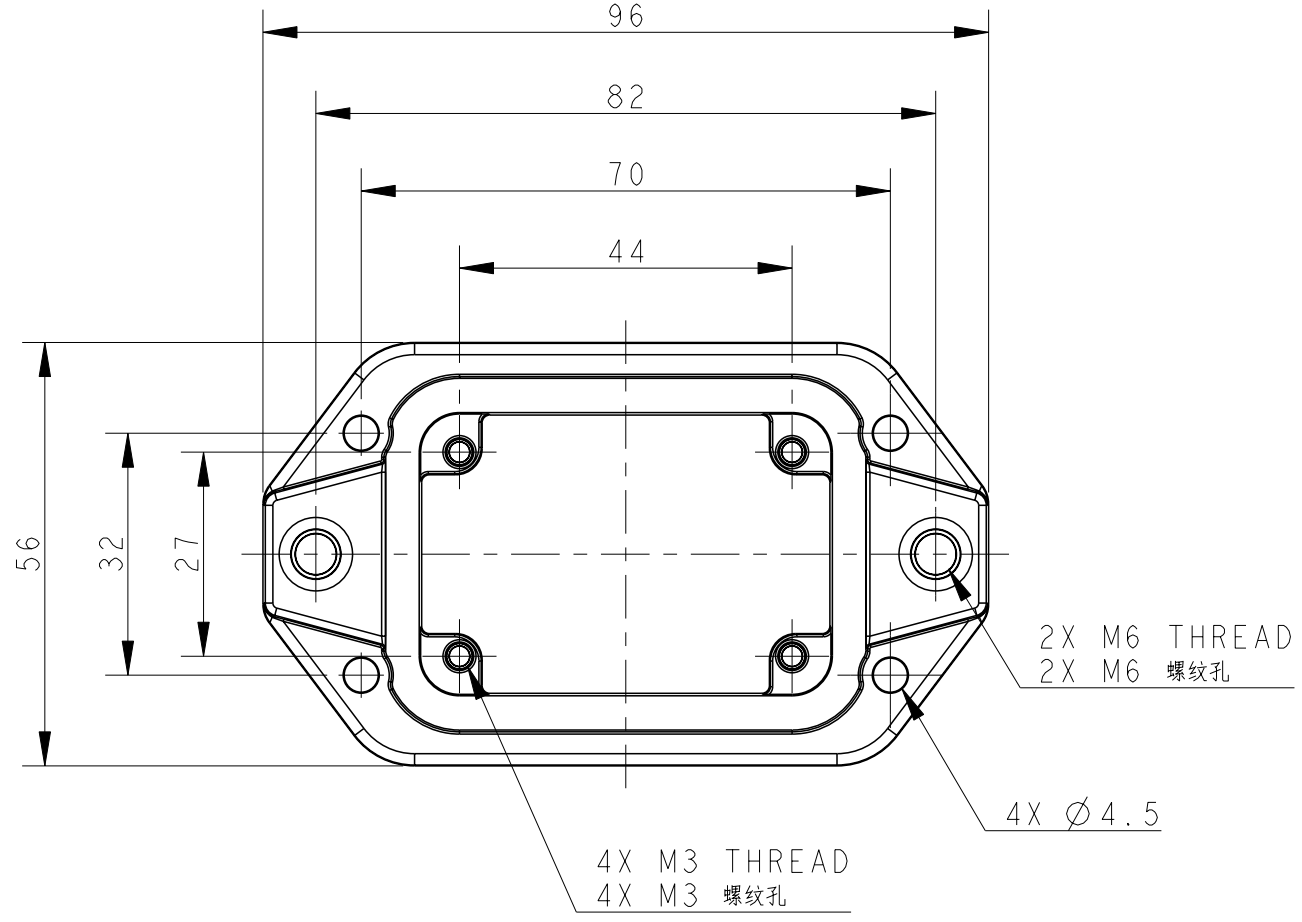


THIS DRAWING IS UNPUBLISHED. RELEASED FOR PUBLICATION 20
 © COPYRIGHT 20 BY - ALL RIGHTS RESERVED.

REVISIONS				
P	LTR	DESCRIPTION	DATE	APVD
A		INITIAL RELEASE	18OCT2016	DW CW
B		ECR-20-016312	04JUN2021	BS CW



FOR EMC FEATURES, CONDUCTIVE SURFACE
 Panel Cut Out Dimension, Only for Reference
 面板开口尺寸, 仅供参考

NOTES:
 1. TECHNICAL CHARACTERISTICS:
 HOUSING MATERIAL: DIE CAST ALUMINIUM ALLOY
 SURFACE: SEE TABLE
 DEGREE OF PROTECTION: IP68 (MATED)

注释:
 1. 技术参数:
 壳体材料: 铝合金
 表面处理: 见表格
 防护等级: IP68 (配合)

T1932062000-009	H6BPR-AGC-EMC-C	H6BPR HOUSING, CENTER LOCKING, BULKHEAD MOUNTED, POWDER COATED, GREY H6BPR中部锁定开孔下壳 灰色
T1932061000-009	H6BPR-AGC-EMC-C	H6BPR HOUSING, CENTER LOCKING, BULKHEAD MOUNTED, POWDER COATED, SILVER WHITE H6BPR中部锁定开孔下壳 银白色
T1932060000-009	H6BPR-AGC-EMC-C	H6BPR HOUSING, CENTER LOCKING, BULKHEAD MOUNTED, POWDER COATED, BLACK H6BPR中部锁定开孔下壳 黑色
PART NUMBER 料号	DESCRIPTION 描述	

THIS DRAWING IS A CONTROLLED DOCUMENT.		DWN DAVID WANG 18OCT2016	TE Connectivity	
DIMENSIONS: mm		CHK CHRIS WANG 18OCT2016		
TOLERANCES UNLESS OTHERWISE SPECIFIED:		APVD XIANG XU 18OCT2016	NAME H6BPR-AGC-EMC-C	
0 PLC ± 1 PLC ± 2 PLC ± 3 PLC ± 4 PLC ± ANGLES ± FINISH -		PRODUCT SPEC 108-137191	RESTRICTED TO	
MATERIAL -		APPLICATION SPEC 114-137191	SIZE A2	CAGE CODE -
		WEIGHT -	DRAWING NO. C-T193206X000009	
		Customer Drawing	SCALE 1:1	SHEET 1 OF 1 REV B

Printed on 8 Jun 2021 09:37 (China Standard Time) from TE236667