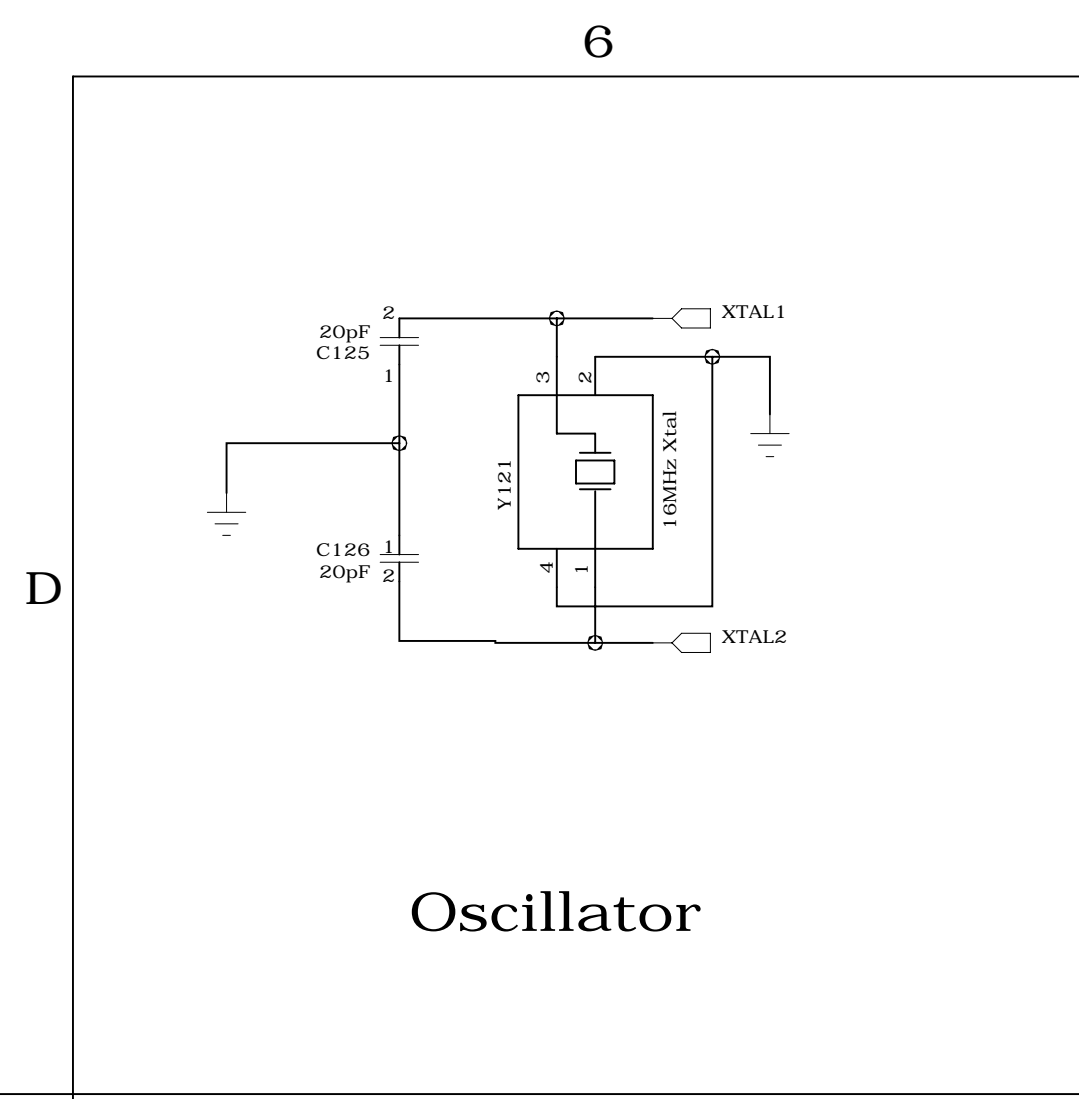
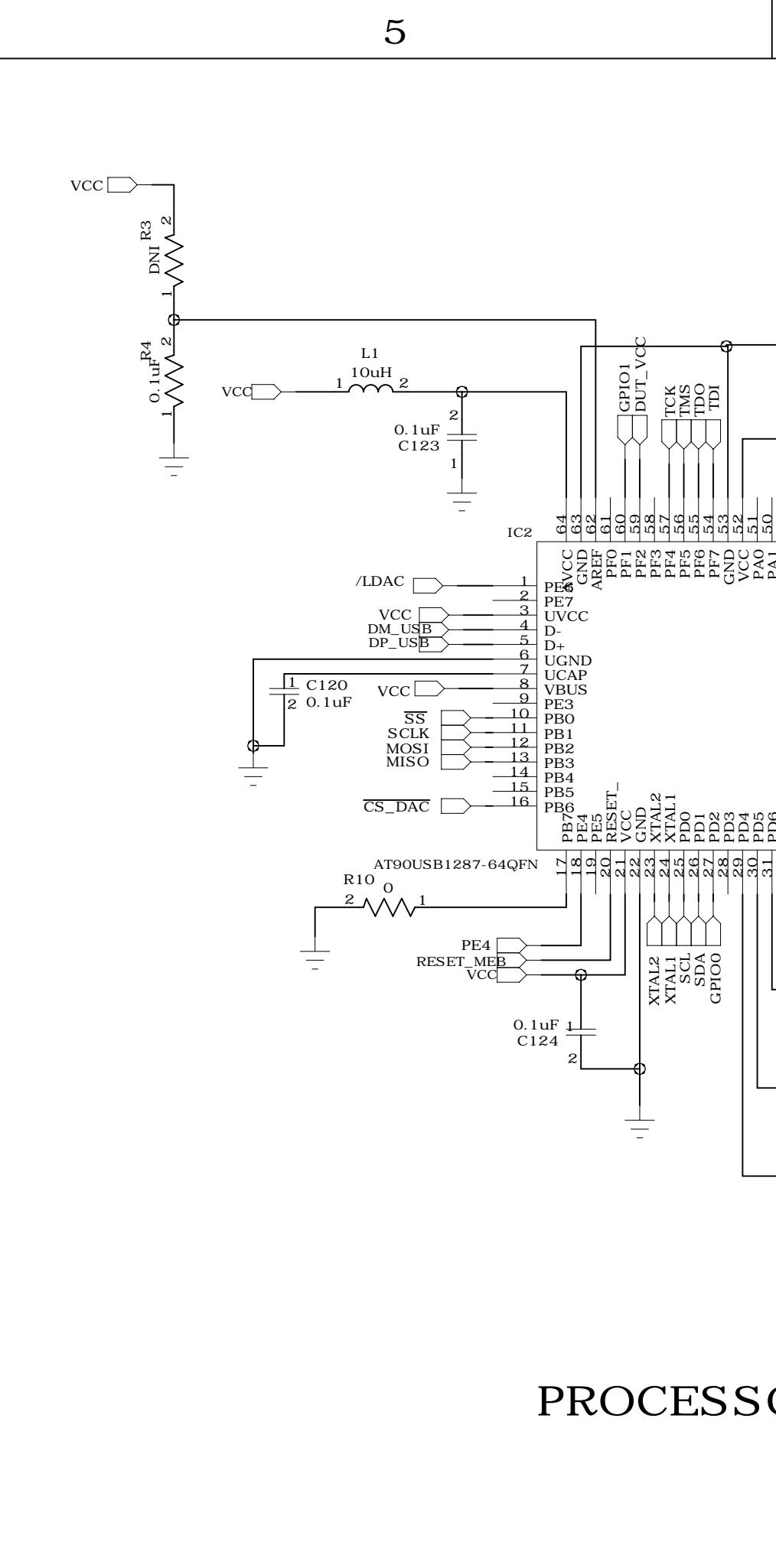


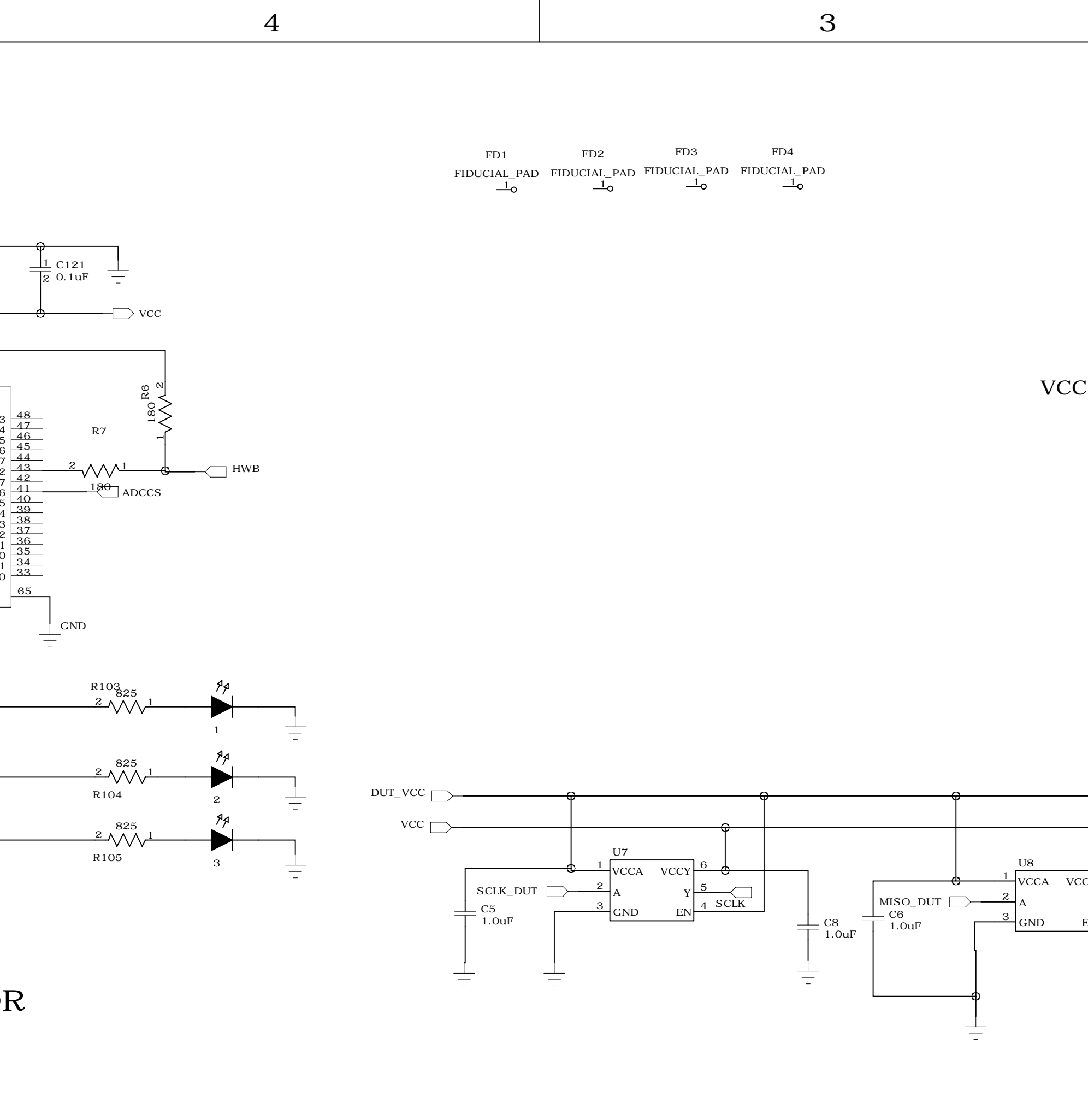
REVISION RECORD			
LTR	ECO NO:	APPROVED:	DATE:



Oscillator

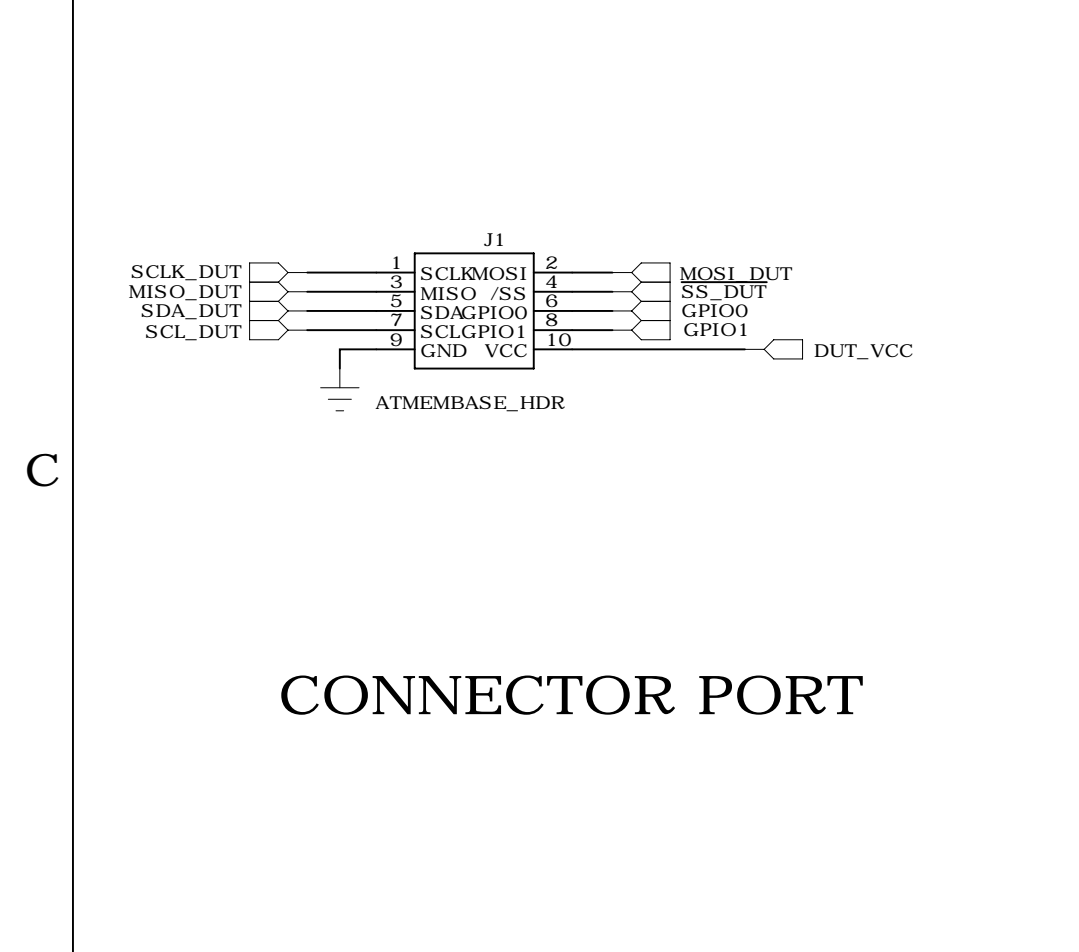


PROCESSOR

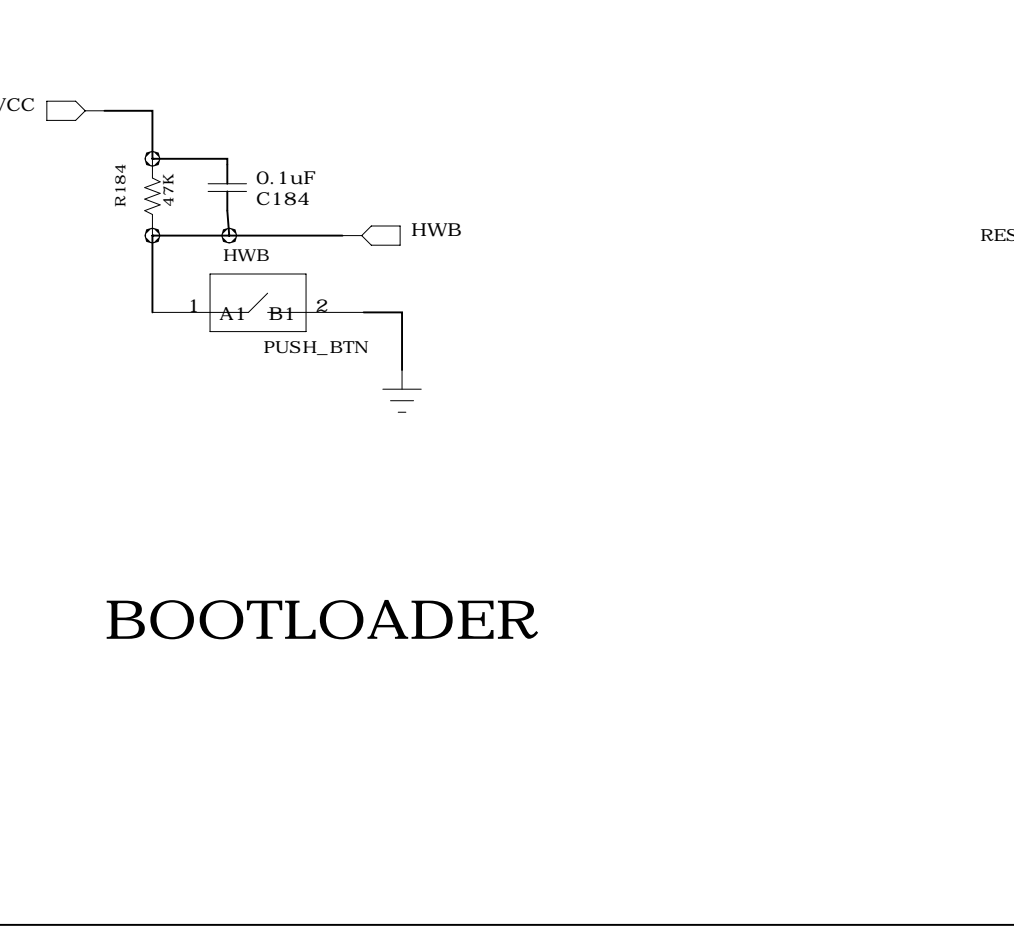


VCCB: CONTROLLER SIDE
VCCA: DUT SIDE
VCCA <= VCCB

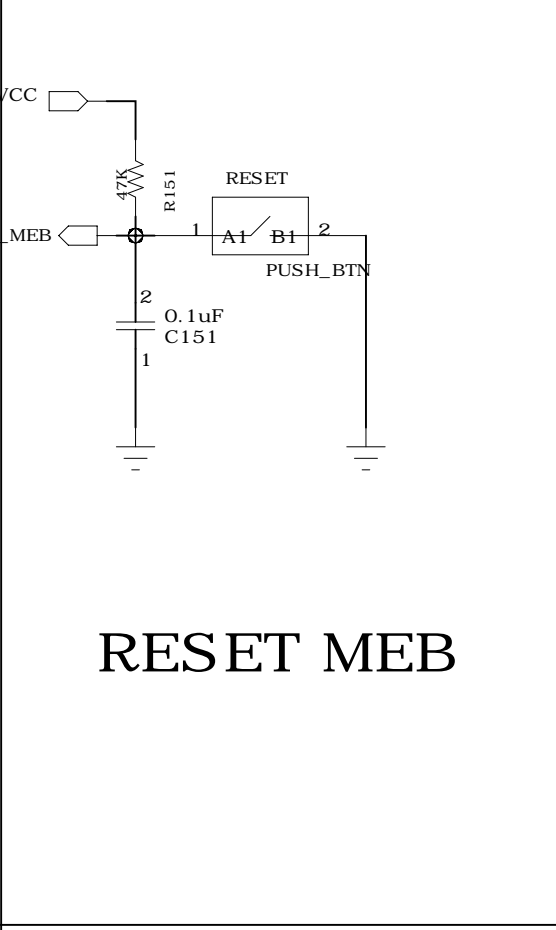
LEVEL SHIFTER



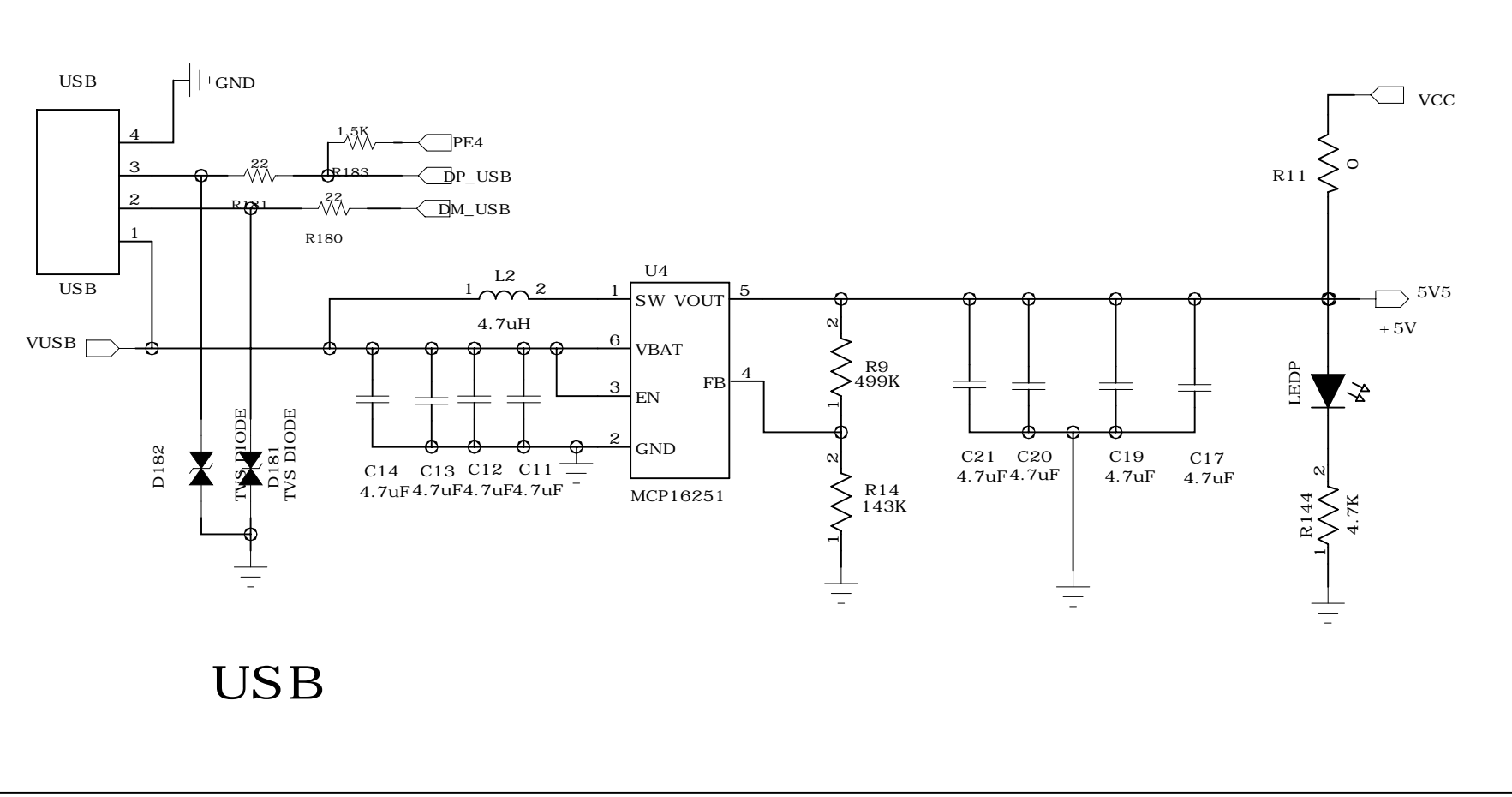
CONNECTOR PORT



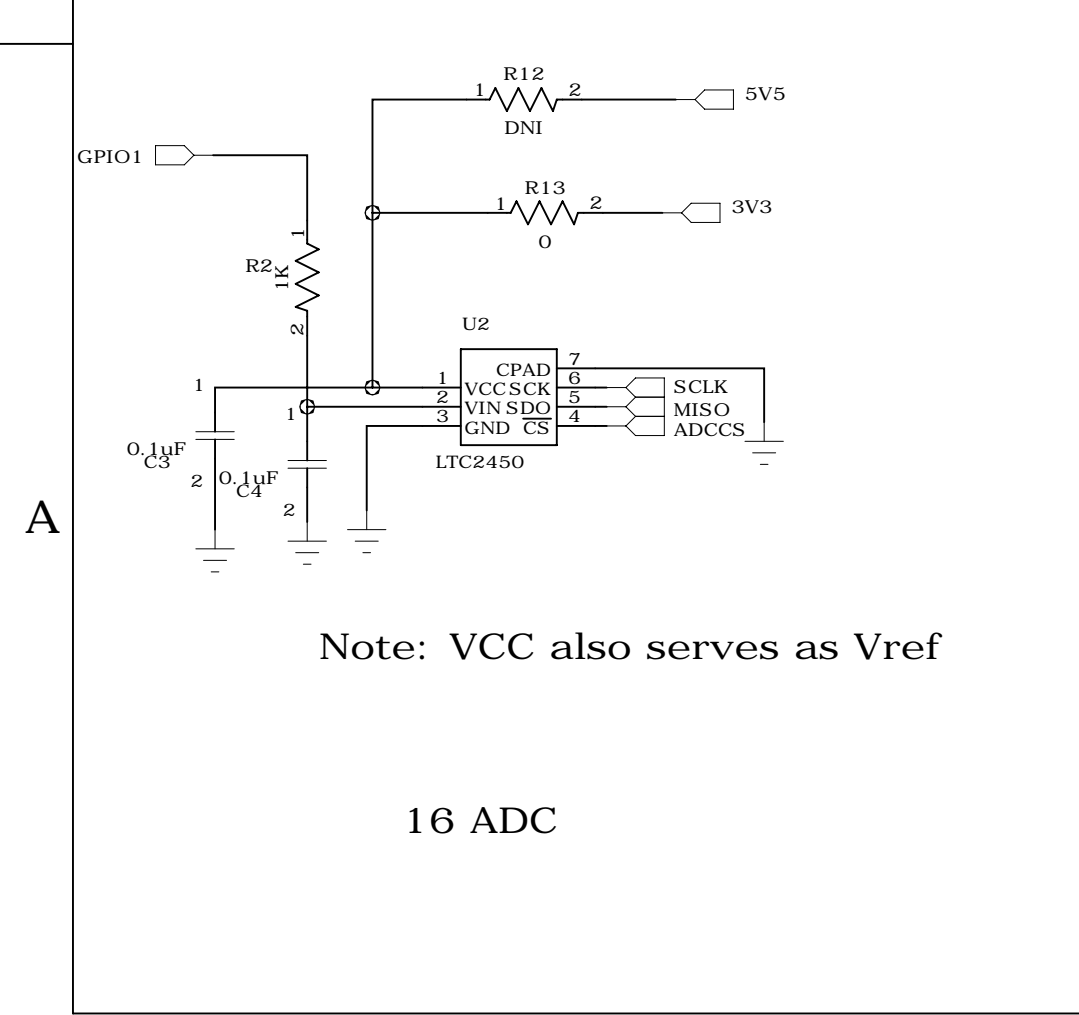
JTAG



RESET MEB

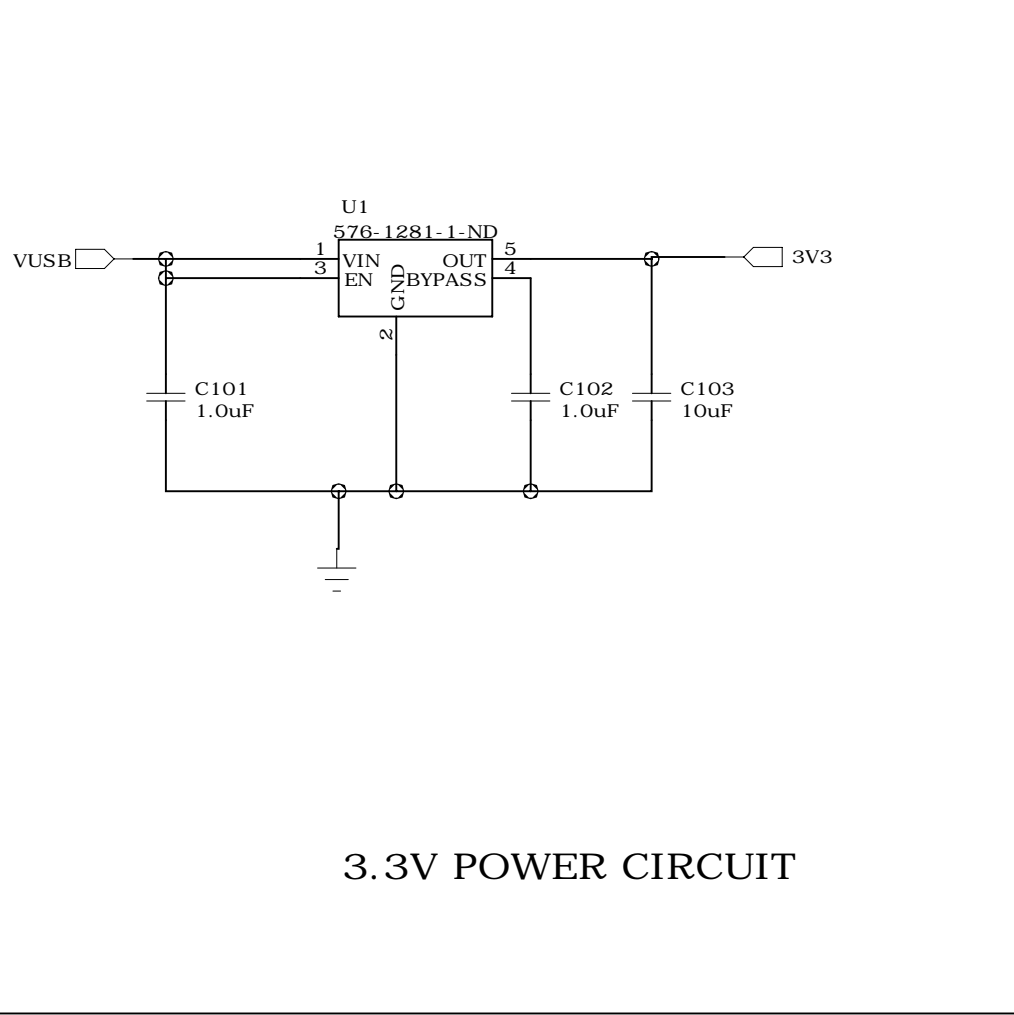


USB

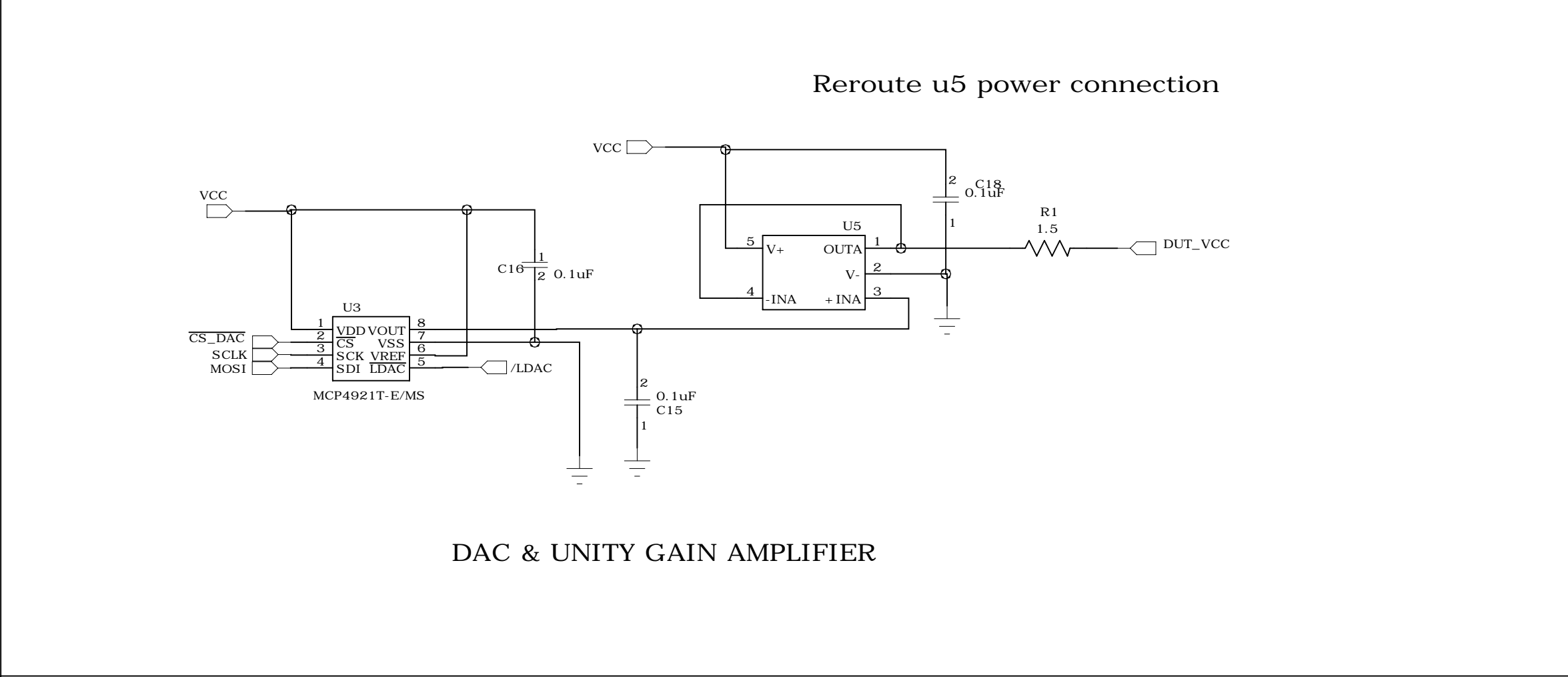


Note: VCC also serves as Vref

16 ADC



3.3V POWER CIRCUIT



DAC & UNITY GAIN AMPLIFIER

COMPANY:

TITLE: **USB BASE BOARD**

DRAWN: R.MCNAMAR	DATED: 24-FEB-17	CODE:	SIZE:	DRAWING NO:	REV:
CHECKED: E.FASNACHT	DATED: 13-NOV-17			03-10682	3.1
QUALITY CONTROL:	DATED:				
RELEASED:	DATED:				

SCALE: NTS SHEET: 1 OF 1