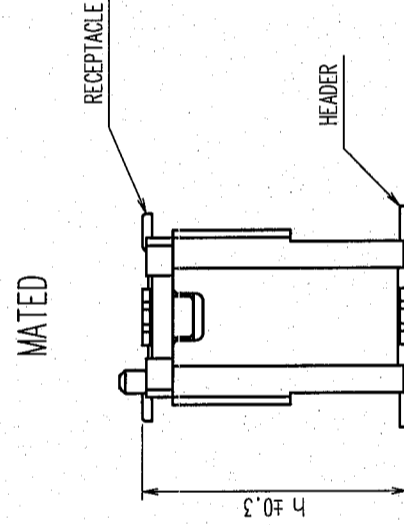
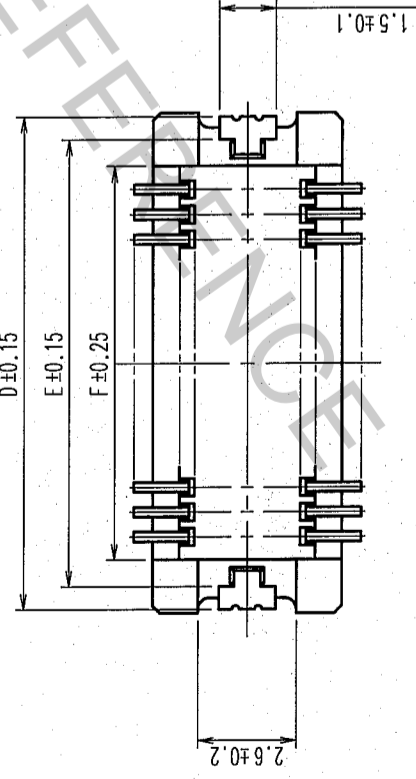
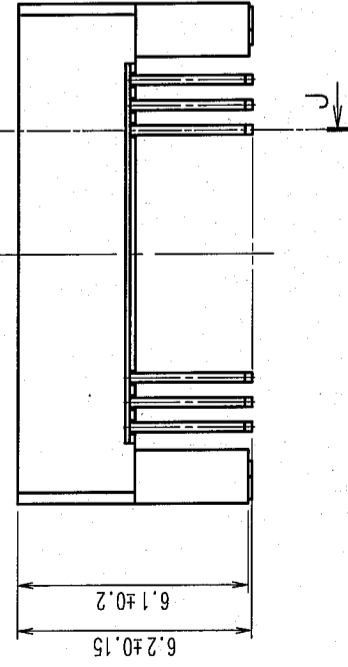
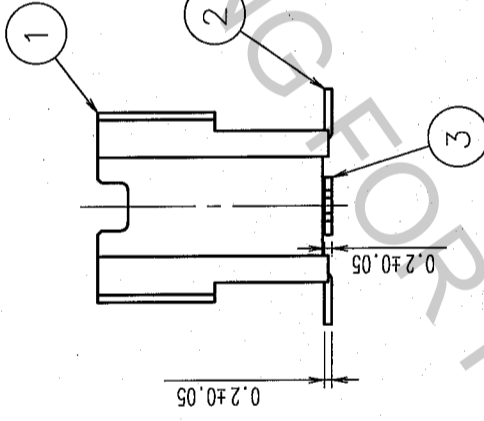
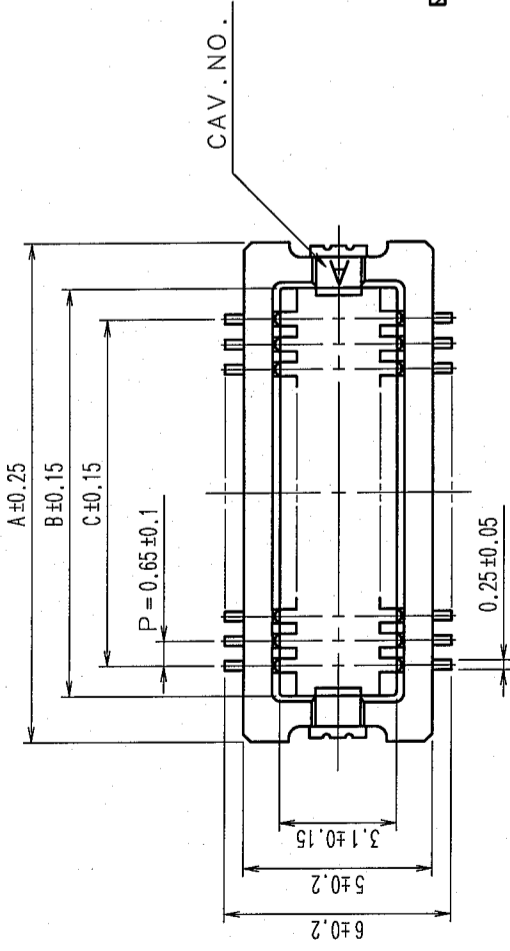
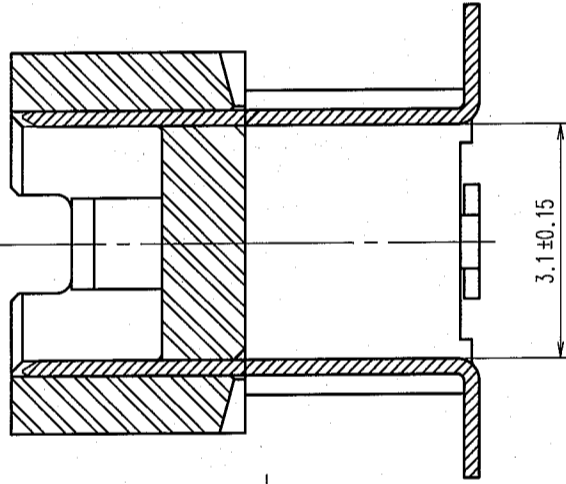


In case that the application demands a high level of reliability, such as automotive, please contact a company representative for further information.

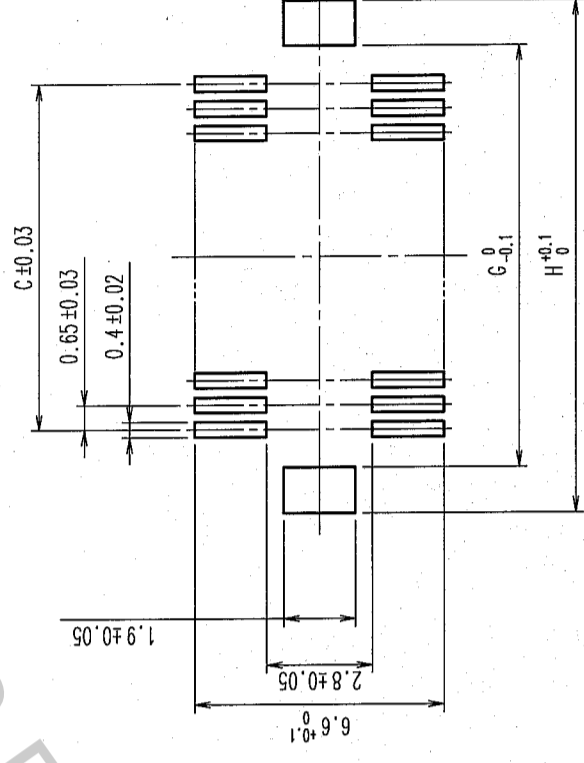
J-J (10:1)



MATED HEIGHT (h)	RECEPTACLE NO.	HEADER NO.	DF15B(6.2)-*DP-0.65V(56)
7	DF15#(0.8)-*DS-0.65V(56)		
8	DF15#(1.8)-*DS-0.65V(56)		

PART NO.	CODE NO.	CONTACT	A	B	C	D	E	F	G	H
DF15B(6.2)-200P-0.65V(56)	CL677-0182-4-56	20	9.85	7.45	5.85	9.65	8.45	7.05	7.85	10.25
DF15B(6.2)-300P-0.65V(56)	CL677-0183-7-56	30	13.1	10.7	9.1	12.9	11.7	10.3	11.1	13.5
DF15B(6.2)-400P-0.65V(56)	CL677-0184-0-56	40	16.35	13.95	12.35	16.15	14.95	13.55	14.35	16.75
DF15B(6.2)-500P-0.65V(56)	CL677-0185-2-56	50	19.6	17.2	15.6	19.4	18.2	16.8	17.6	20.0

RECOMMENDED PATTERN



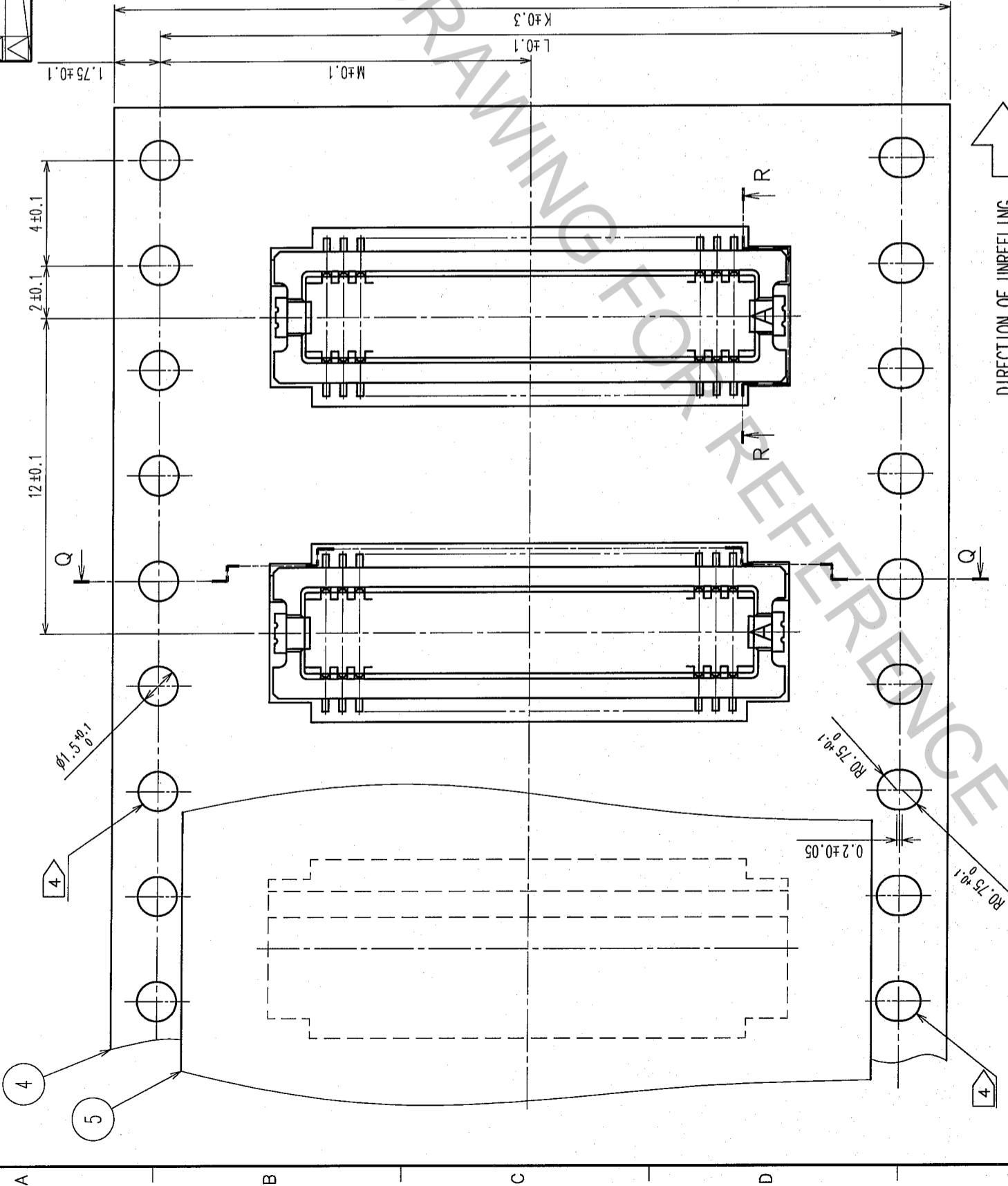
NOTES 1. LEAD CO-PLANARITY INCLUDE REINFORCED METAL FITTINGS SHALL BE 0.1 mm MAX.

NO.	MATERIAL	FINISH, REMARKS	NO.	MATERIAL	FINISH, REMARKS
1	PHOSPHOR BRONZE	CONTACT AREA: GOLD PLATED 0.1 μm min	6	PS	BLACK (PLASTIC REEL)
2	POLYAMIDE (PA6T)	LEAD AREA: TIN PLATED 1 μm min	5	POLYESTER	CLEAR (COVER TAPE)
		UNDER PLATING: NICKEL PLATED 1 μm min	4	PS	CLEAR (EMBOSSED CARRIER TAPE)
		NATURAL (BEIGE), UL94V-0	3	BRASS	TIN PLATED 1 μm min
					UNDER PLATING: NICKEL PLATED 1 μm min

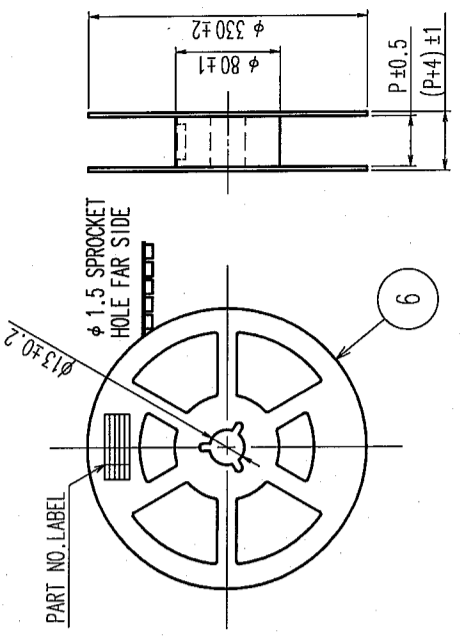
CODE NO. (OLD)		DRAWN	DESIGNED	CHECKED	APPROVED	RELEASED
		<i>A. Mochizuki</i>	<i>J. Mochida</i>	<i>T. Higashimura</i>	<i>K. Okada</i>	
		06.02.07	06.02.07	06.02.07	06.02.07	
DRAWING NO.	EDC3-302783-06	PART NO.	DF15B(6.2)-*DP-0.65V(56)			
SCALE	5 : 1	CODE NO.	CL677			
UNITS	ITTT					

In case that the application demands a high level of reliability, such as automotive, please contact a company representative for further information.

NO.	DATE	BY	CHKD	DESCRIPTION OF REVISIONS	COUNT	7	8



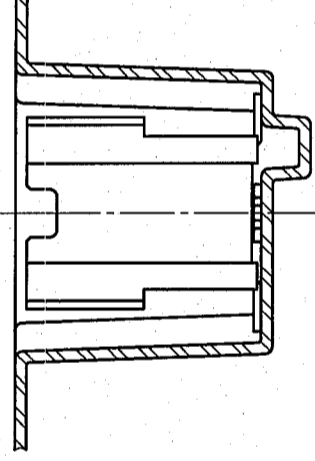
STYLE AND DIMENSION OF REEL (FREE)



DETAIL OF PART NO. LABEL

SUPPLIER	年 月 日
QUANTITY	CL677-**-**-56
PART NO.	DF15B(6.2)-*DP-0.65V(56)
CODE NO.	1000 Ko
DATE OF MANUFACTURE	ヒロセ電機(株)

- NOTES
- 1 REEL: 1000 CONNECTORS.
 - 2: AT THE BEGINNING OF THE REEL, 30 COMPONENTS SHALL BE EMPTY. AT THE END OF THE REEL, 20 COMPONENTS SHALL BE EMPTY.
 3. WHEN THE TAPE WIDTH IS 32mm, BOTH SIDES OF REEL AS SHOWN ON THIS DRAWING.
 4. PEEL FORCE REFERS TO JIS C 0806.



PART NO.	CODE NO.	K	L	M	N	P
DF15B(6.2)-20DP-0.65V(56)	CL677-0182-4-56	16.0	-	7.5	10.15	17.5
DF15B(6.2)-30DP-0.65V(56)	CL677-0183-7-56	24.0	-	11.5	13.4	25.5
DF15B(6.2)-40DP-0.65V(56)	CL677-0184-0-56	24.0	-	11.5	16.65	25.5
DF15B(6.2)-50DP-0.65V(56)	CL677-0185-2-56	32.0	28.4	14.2	19.9	33.5

DRAWING NO.	EDC3-302783-06	PART NO.	DF15B(6.2)-*DP-0.65V(56)
SCALE	FREE	CODE NO.	1000
UNITS	mm		
DRAWN	A. Murakami	CHECKED	T. Miyagaki
DESIGNED	J. Michida	APPROVED	K. Ikeda
	06-02-07		06-02-07
	06-02-07		06-02-07

HIROSE ELECTRIC CO., LTD	CL677-	2/2
--------------------------	--------	-----