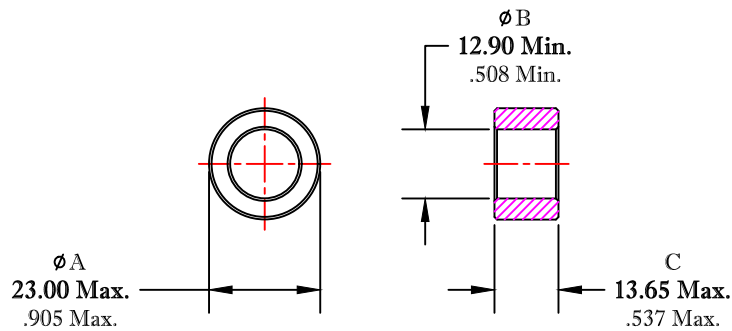


** Not all features are shown in this drawing. For more detailed information, please contact your Fair-Rite representative.

UNCONTROLLED ~CATALOG~ DRAWING

SIZE	PART NO.	REV.
B	5978007621	~



AFTER COATING

DIMENSIONS
BOLD NUMBERS ARE IN MILLIMETERS
 LIGHT NUMBERS ARE IN INCHES

ELECTRICAL SPECIFICATIONS						
$\Sigma L/A(mm^{-1})$	$l_e (mm)$	$A_e (mm^2)$	$V_e (mm^3)$	$L_o (nH)$	$A_L (nH)$ @10 kHz <10gauss	$\tan \delta/\mu_i$ @100 kHz <1gauss
1.0373	54.2	52.2	2830	1.211	2795 $\begin{smallmatrix} +25\% \\ -30\% \end{smallmatrix}$	$\leq 10 \times 10^{-6}$

NOTES:

- 1 - THIS PART TO BE THERMOSET PLASTIC COATED. USE APPROVED FR# 5978007601.
- 2 - COATING TO WITHSTAND A MINIMUM BREAKDOWN VOLTAGE OF 1000Vrms, WHEN UNIFORMLY APPLIED ACROSS THE "C" DIMENSION OF THE CORE.
- 3 - COATING THICKNESS = 0.25mm [.010"] Max.

FR# 78

FAIR-RITE PRODUCTS CORP.						
TITLE COATED TOROID						
DRAWN BY J.SERENCSCS	DATE 07-18-2018	SIZE B	PART NO. 5978007621	REV. ~		
CHKD BY						
APPRVD BY		SCALE	NONE	SHEET	1 of 1	