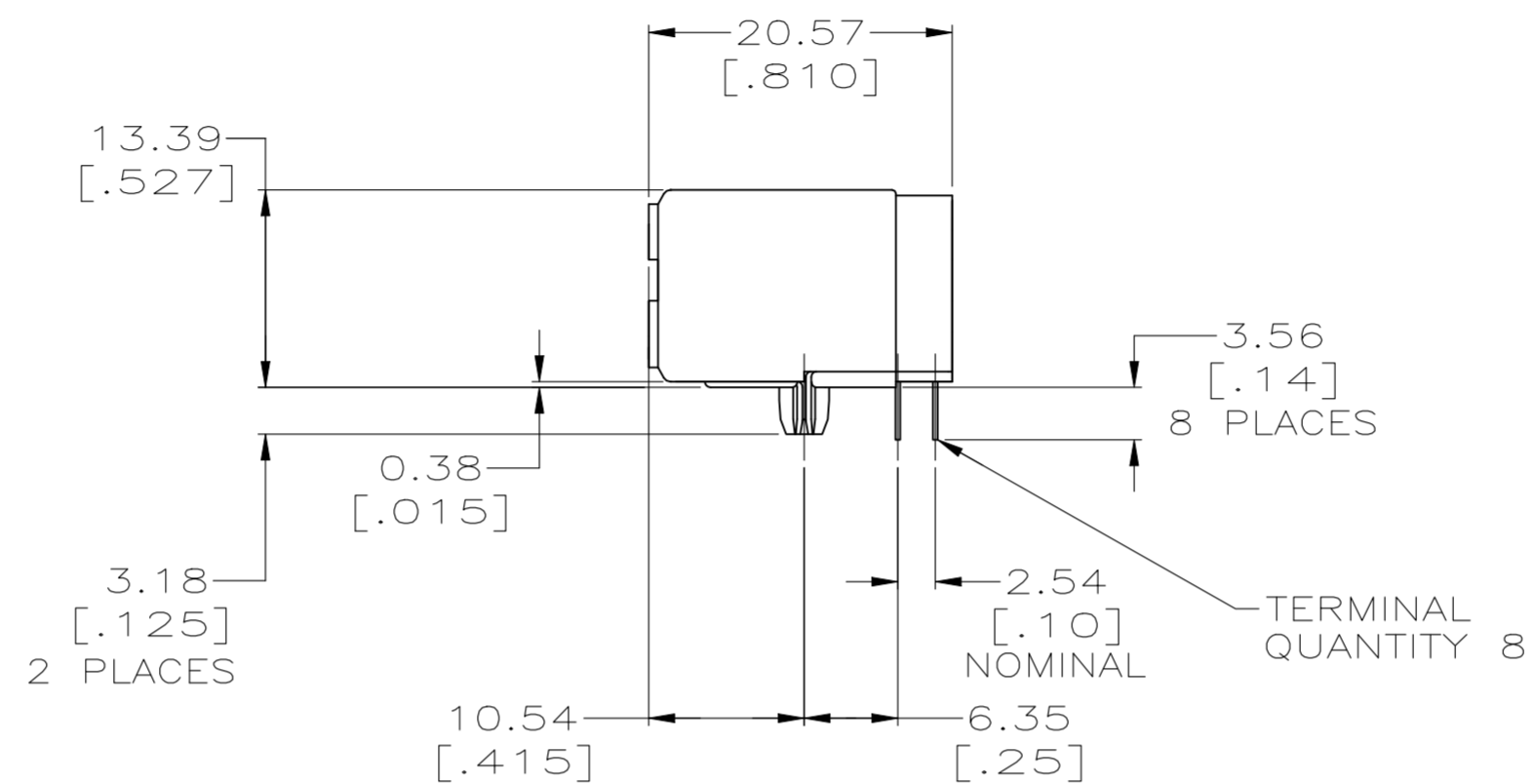
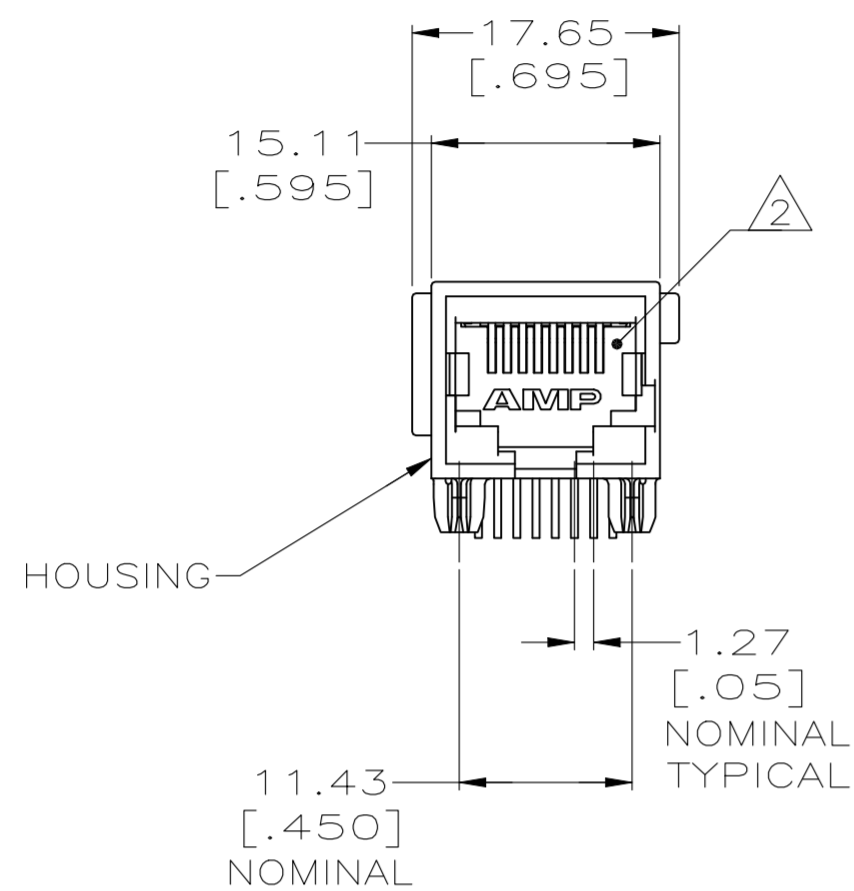
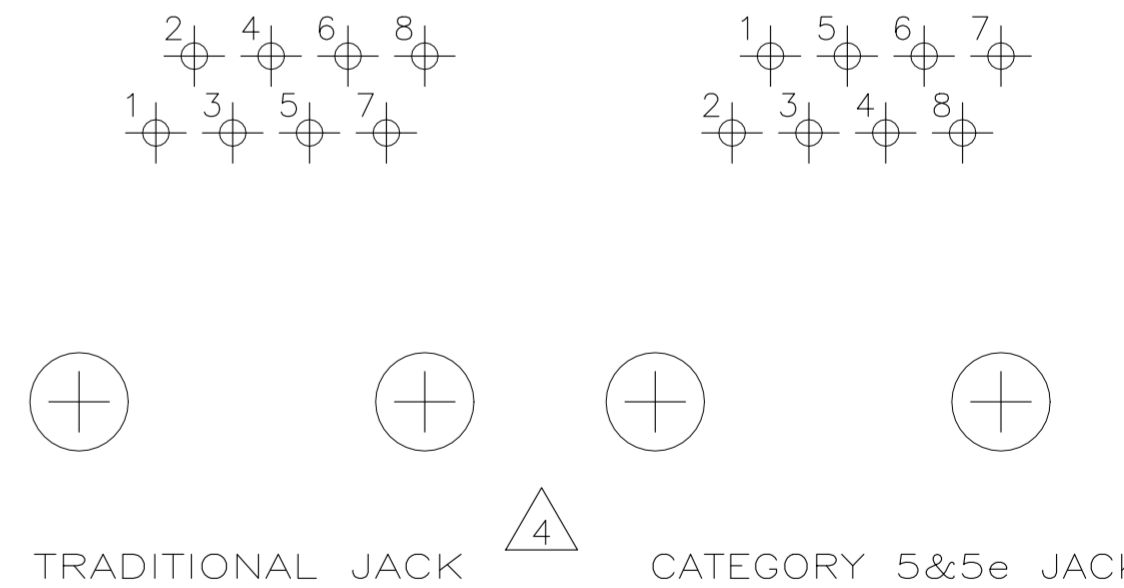
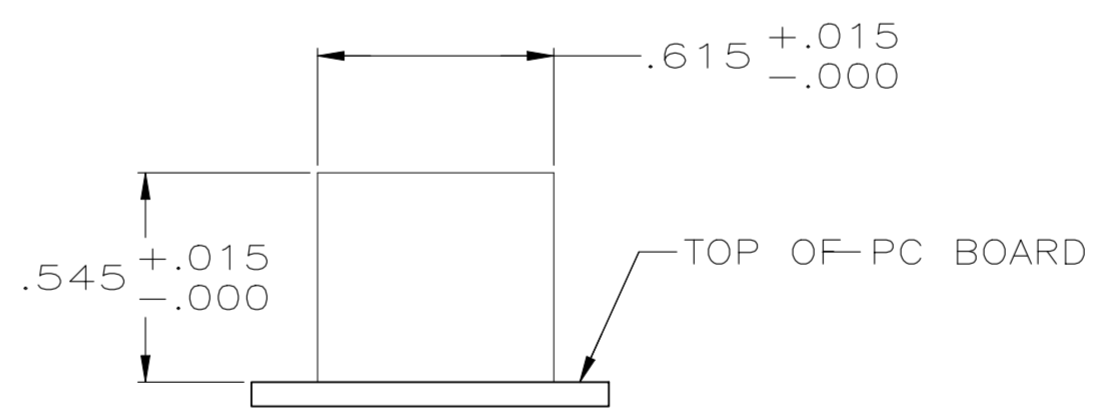
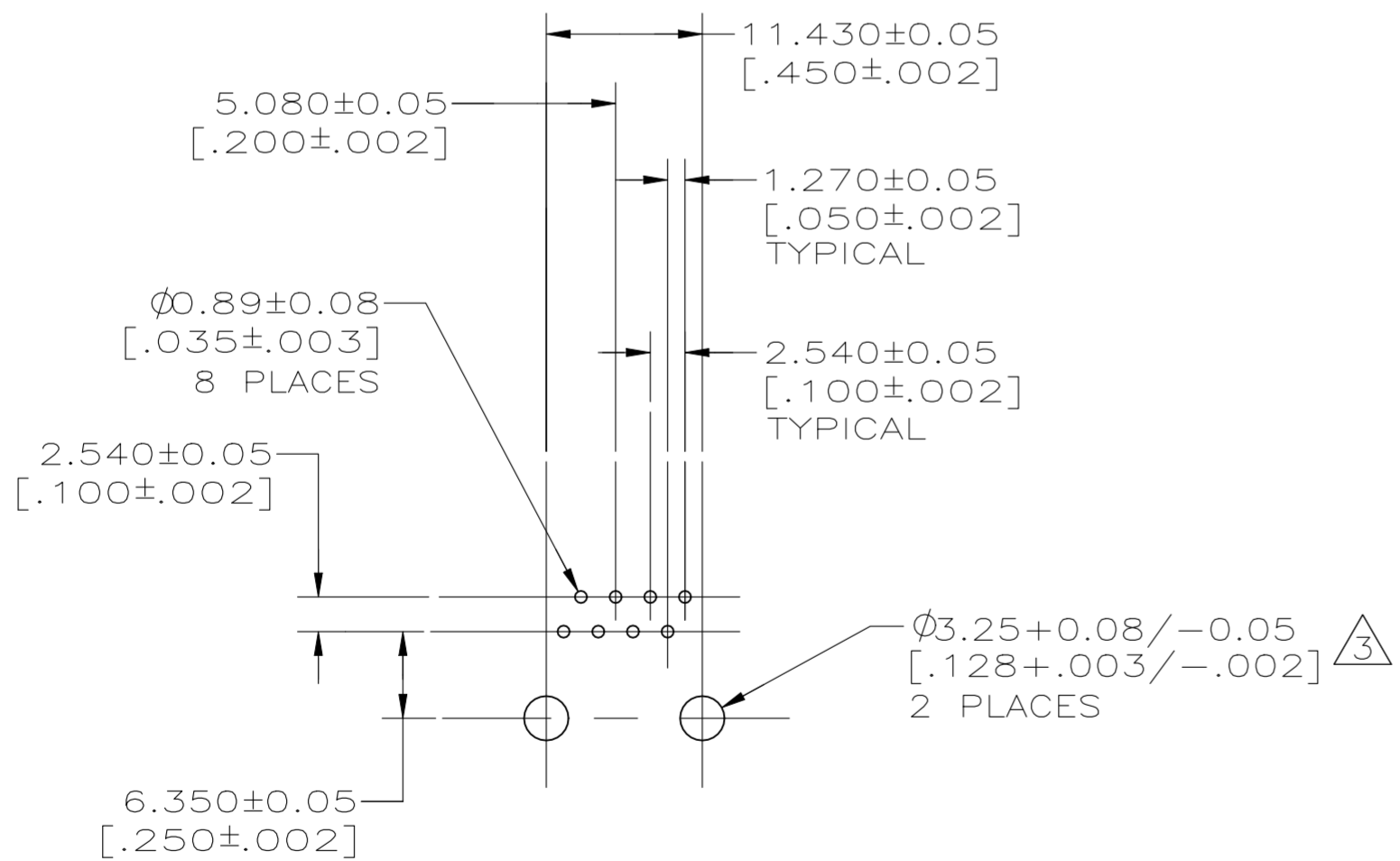


REVISIONS					
P	LTR	DESCRIPTION	DATE	DWN	APVD
A4		ECR-19-014657	13SEP2020	RR	SZ



- ① MATERIAL: HOUSING - NYLON, BLACK, UL 94V-0. TERMINALS - 0.33[.013] THICK PHOS BRONZE PLATED WITH 1.27 $\mu$ m[.000050] MINIMUM THICK HARD GOLD IN LOCALIZED AREA AND 3.81 $\mu$ m[.000150] MINIMUM THICK MATTE TIN IN SOLDER AREA OVER 1.27 $\mu$ m[.000050] MINIMUM THICK NICKEL UNDERPLATE.
- ② JACK CAVITY CONFORMS TO FCC RULES AND REGULATIONS, PART 68 SUBPART F.
- ③ USE #30 DRILL BIT OR 3.25mm DRILL BIT WHEN PRODUCING THESE PCB HOLES.
- ④ CAUTION: CATEGORY 5 JACK SOLDER TAIL POSITIONS DO NOT FOLLOW SAME NUMBER SEQUENCE AS THAT OF TRADITIONAL JACKS.



SUGGESTED PC BOARD LAYOUT COMPONENT SIDE

SUGGESTED PANEL CUTOUT

TRADITIONAL JACK ④ CATEGORY 5&5e JACK

5569107-1 PART NUMBER

THIS DRAWING IS A CONTROLLED DOCUMENT.		DWN 10JUN2005 A. FERNANDEZ-DOCK5	TE Connectivity	
DIMENSIONS: mm [INCHES]		CHK 10JUN2005 J. WESTMAN		
TOLERANCES UNLESS OTHERWISE SPECIFIED:		APVD 10JUN2005 S. FLICKINGER	NAME	
0 PLC ± -	1 PLC ± -	PRODUCT SPEC	108-1163	
2 PLC ± 0.25[.01]	3 PLC ± 0.13[.005]	APPLICATION SPEC	114-2048	
4 PLC ± -	ANGLES ± -	WEIGHT	0.000000	
MATERIAL ①	FINISH ①	CUSTOMER DRAWING	SCALE	1:1
		SIZE	A2	
		CAGE CODE	-	
		DRAWING NO	C=5569107	
		RESTRICTED TO	-	
		SHEET	1 OF 1	
		REV	A4	