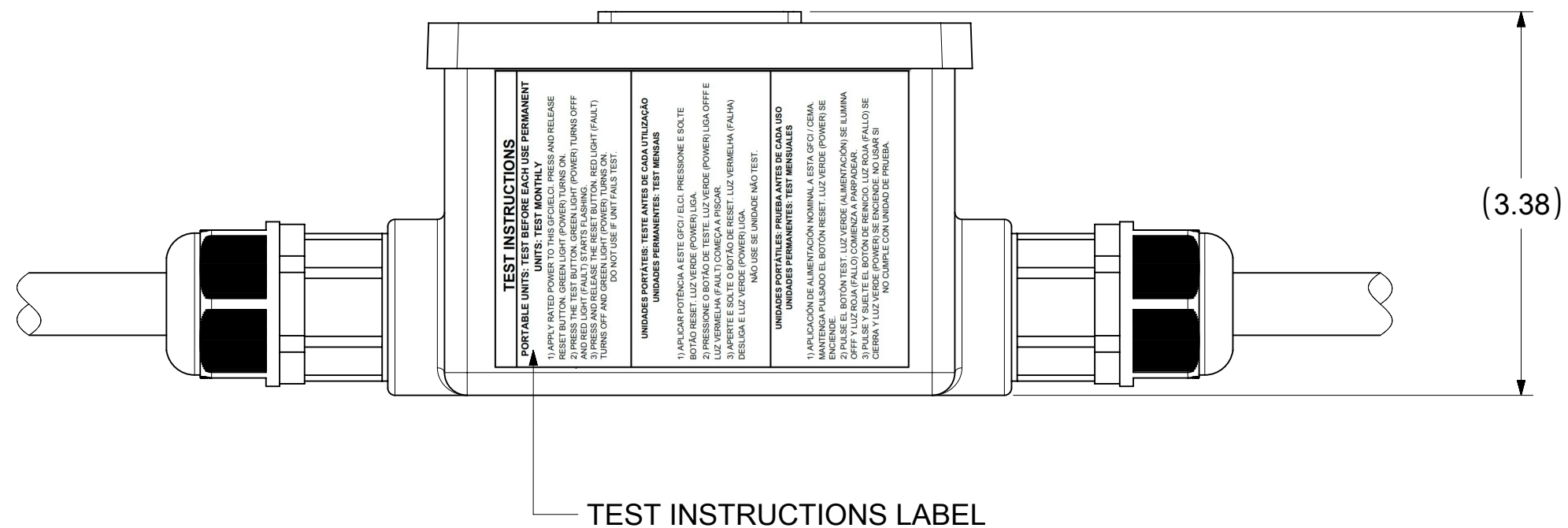
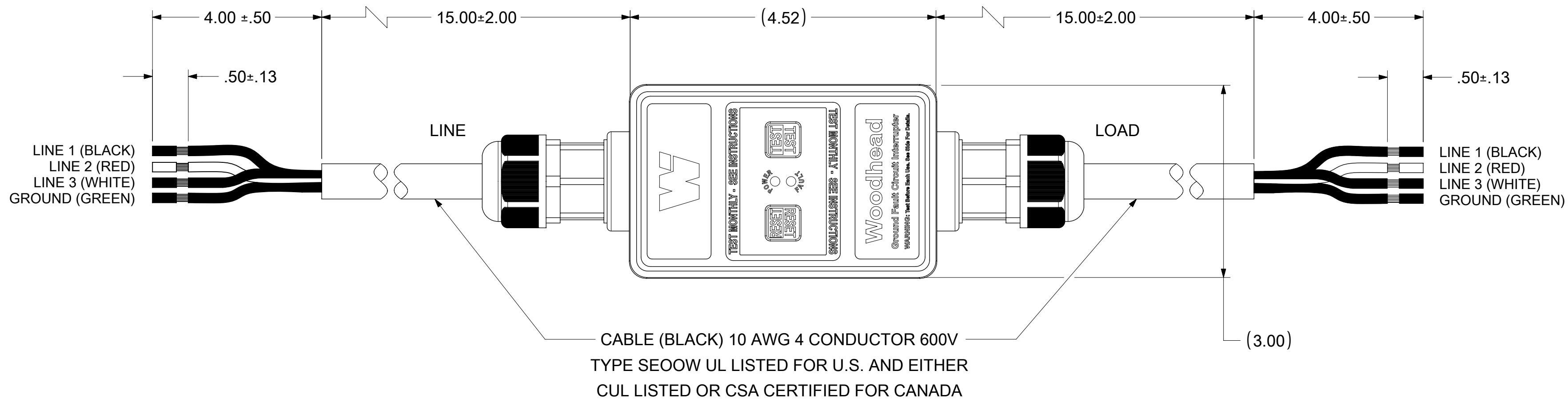


THREE PHASE (NO NEUTRAL) (208 / 240 VOLTS) (4-WIRE)



TECHNICAL

LISTED: UL & CSA  
 RATED SUPPLY VOLTAGE: 208/204VAC  
 RATED CURRENT: UP TO 30 AMPS  
 RESET TYPE: AUTOMATIC OR MANUAL  
 OPERATING FREQUENCY: 60 Hz  
 TYPE: CLASS A  
 GROUND TRIP CURRENT: 5mA +/- 1mA  
 OVERLOAD CURRENT: 180 AMPS, 0.45PF  
 INSULATION VOLTAGE: 1,500 VRMS - 1 MINUTE  
 ENDURANCE OPERATIONS: 3000 OPERATIONS  
 ENCLOSURE: NEMA 4X/6P

| RESET TYPE | MATERIAL NO. | ENGINEERING NO. | NORTH SHORE SAFETY NO | PHASE       | RATED VOLTAGE |
|------------|--------------|-----------------|-----------------------|-------------|---------------|
| MANUAL     | 1301530248   | 30053-0M3P      | PGFI-730AN            | THREE PHASE | 240 VAC       |
|            | 1301530249   | 30053-0M2P      | PGFI-830AN            | THREE PHASE | 208 VAC       |
| AUTOMATIC  | 1301530252   | 30053-0A3P      | PGFI-731AN            | THREE PHASE | 240 VAC       |
|            | 1301530253   | 30053-0A2P      | PGFI-831AN            | THREE PHASE | 208 VAC       |

THIS DRAWING CONTAINS INFORMATION THAT IS PROPRIETARY TO MOLEX ELECTRONIC TECHNOLOGIES, LLC AND SHOULD NOT BE USED WITHOUT WRITTEN PERMISSION

FUNCTIONAL SYMBOLS: FA=0, FC=0, FP=0

DIMENSION UNITS: INCH, SCALE: NTS

GENERAL TOLERANCES (UNLESS SPECIFIED): 4 PLACES ±, 3 PLACES ±, 2 PLACES ±, 1 PLACE ±, 0 PLACES ±

ANGULAR TOL: °

DRAFT WHERE APPLICABLE MUST REMAIN WITHIN DIMENSIONS

THIRD ANGLE PROJECTION

CURRENT REV DESC: MIGRATION TO ECTR/NX

EC NO: 664991  
 DRWN: PPURSUTANDEL 2021/07/23  
 CHK'D: DNGUYEN62 2021/07/28  
 APPR: HKNEELAND 2021/07/29

INITIAL REVISION:  
 DRWN: PPURSUTANDEL 2021/07/23  
 APPR: HKNEELAND 2021/07/29

DRAWING: C-SIZE  
 SERIES: 130153

PRODUCT CUSTOMER DRAWING

30A, 240VAC 3PHASE, 2' 10/4

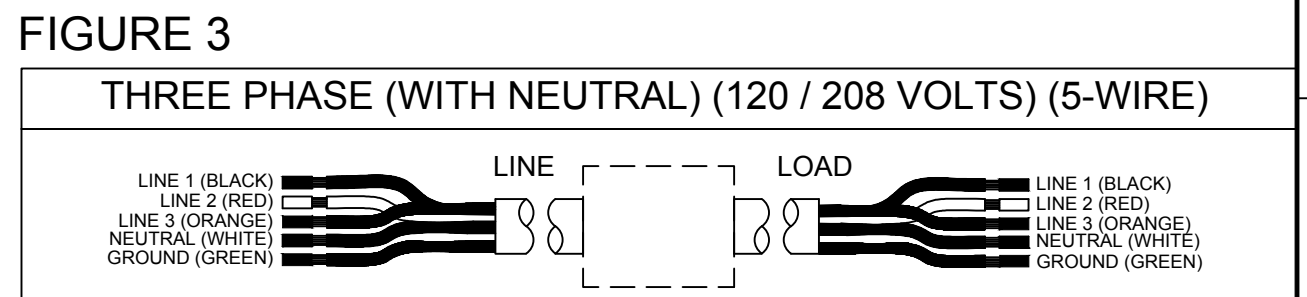
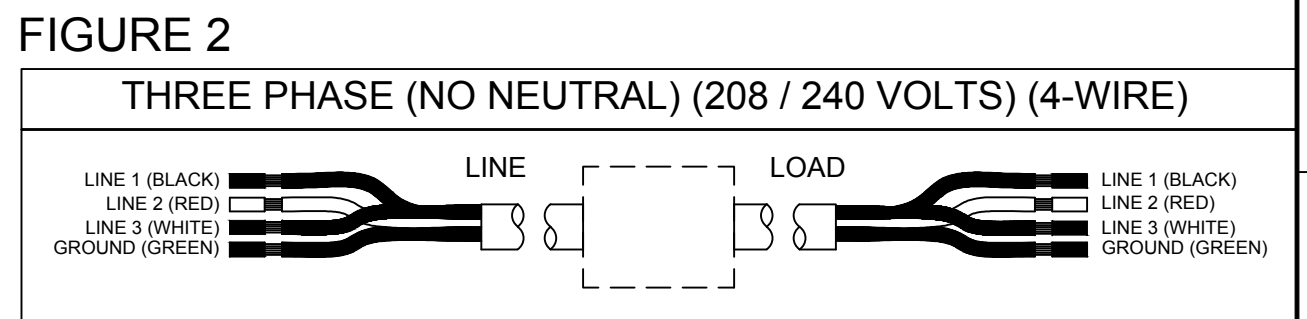
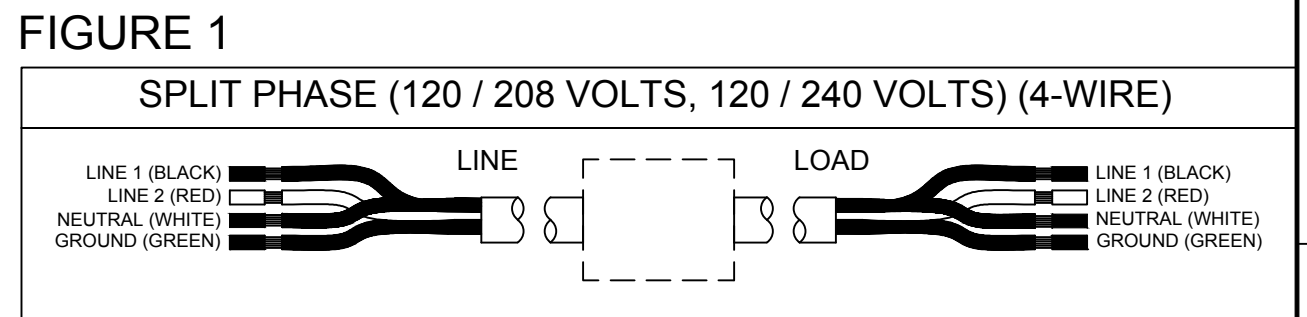
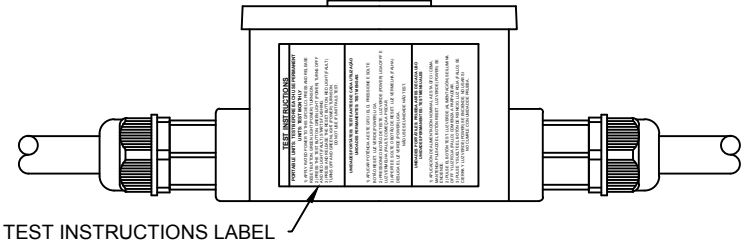
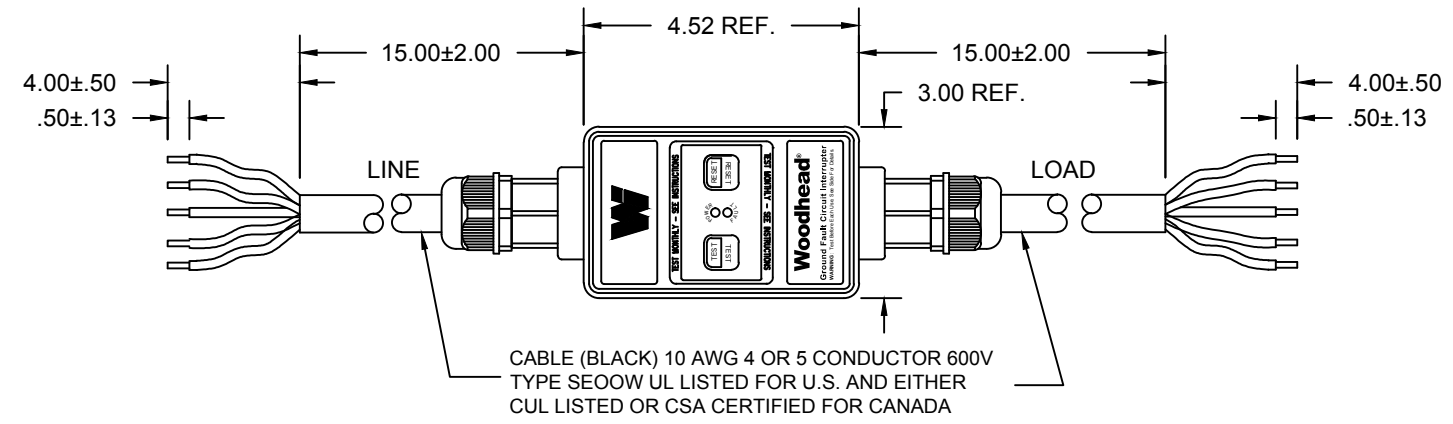
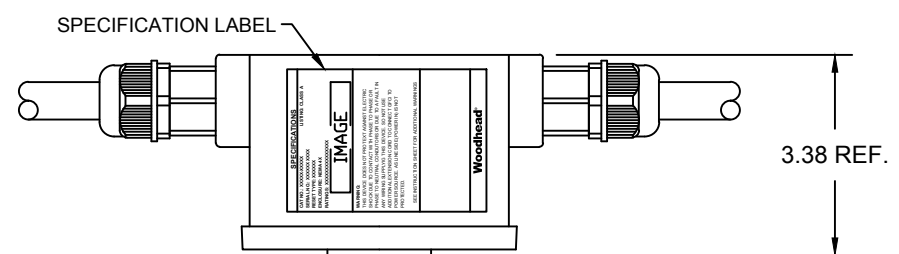
DOCUMENT NUMBER: 1301530248  
 DOC TYPE: PSD  
 DOC PART: 000  
 REVISION: B2

MATERIAL NUMBER: SEE TABLE  
 CUSTOMER: GENERAL MARKET  
 SHEET NUMBER: 1 OF 1

OLD DOCUMENT NO. SD-130153-040

**TECHNICAL:**  
**RATED VOLTAGE:** 120VAC, 208VAC, 240VAC, 277VAC, 120/240VAC, 120/208VAC Dual Voltage, 120/208VAC 3Ø, 208VAC 3Ø, 240VAC 3Ø (277VAC non-U.L.)  
**OPERATING VOLTAGE RANGE:** 85% TO 110% OF RATED  
**CURRENT:** UP TO 30 AMPS OR WIRING DEVICE RATING  
**FREQUENCY:** 60Hz, 50Hz (AVAILABLE non-UL)  
**TRIP LEVEL:** 5 ± 1mA  
**PHASE:** SINGLE, DUAL VOLTAGE, AND THREE-PHASE  
**RESPONSE TIME:** 25 mS MAX. @500 OHM FAULT  
**DIELECTRIC WITHSTAND:** 1500 VRMS ACROSS CONTACT  
 4000 VRMS BETWEEN CONDUCTORS AND ENCLOSURE  
**SURGE WITHSTAND:** 6000V IMPULSE, 0.5 MICROSECOND RISE TIME 100KHZ RINGING FREQUENCY WITH 40% DECAY PER CYCLE  
**OPERATING TEMPERATURE RANGE:** -35°C TO +66°C (-31°F TO +151°F)  
**LEAKAGE CURRENT @ 93% HUMIDITY:** ZERO  
**OVERLOAD CURRENT:** 180 AMPS, 50% INDUCTIVE (25 CYCLES)  
**RF NOISE SUSCEPTIBILITY:** NORMAL OPERATION WITH 0.5 VRMS INJECTED ON POWER LINE WITH FREQUENCIES UP TO 450 MHz  
**CURRENT FILTERS:** SPECIFICALLY FILTERED TO MINIMIZE NUISANCE TRIPS IN WELDING, VARIABLE FREQUENCY DRIVE AND OTHER 'ELECTRICALLY NOISY' APPLICATIONS  
**LET GO LINE VOLTAGE:** 60% OF RATED  
**GROUNDING NEUTRAL DETECTION:** 2 OHMS OR LESS (ON APPLICABLE MODELS ONLY)

**GENERAL:**  
**CONSTRUCTION:** INDUSTRIAL GRADE DESIGN  
**TYPE:** CLASS A  
**POWER-UP TYPE:** AUTO OR MANUAL  
**ENDURANCE:** 5000 OPERATIONS MINIMUM AT RATED LOAD  
**OPEN NEUTRAL PROTECTION:** TRIPS UPON LOSS OF NEUTRAL (ON APPLICABLE MODELS ONLY)  
**GROUNDING NEUTRAL PROTECTION:** TRIPS IF GROUND AND NEUTRAL TOUCH AT LOAD SIDE (ON APPLICABLE MODELS ONLY)  
**POWER ON INDICATION:** LIGHTED GREEN LED  
**POWER OFF INDICATION:** BLINKING RED LED, PLUS OPTIONAL ANNUCIATOR OF AC/DC OUTPUTS (ON APPLICABLE MODELS ONLY)  
**ENCLOSURE:** NEMA 4X/P6  
**MOUNTING TYPE:** PANEL, SURFACE AND PORTABLE  
**WIRING APPLICATION:** 3,4,5 WIRE SINGLE, SPLIT, AND 3-PHASE  
**WIRING CONNECTIONS:** PORTABLE (IN-LINE) AND PERMANENT (FIXED MOUNT) (SEE WIRING INSTRUCTIONS)  
**SWITCH INTERFACE:** DOUBLE INSULATED  
**LATCHING MECHANISM:** ELECTROMAGNETIC  
**FALSE TRIP DUE TO IMPACT:** NONE  
**AGENCY APPROVAL:** cULus, CSA, CSAus and cCSAus (U.L.943 and CSA C22.2 No. 144) (277VAC non-U.L.)



| RESET TYPE | MATERIAL NO. | ENGINEERING NO. | PHASE                  | FIGURE   |
|------------|--------------|-----------------|------------------------|----------|
| MANUAL     | 1301530247   | 30053-0M6P      | SPLIT PHASE            | FIGURE 1 |
|            | 1301530248   | 30053-0M3P      | THREE PHASE            | FIGURE 2 |
|            | 1301530249   | 30053-0M2P      | THREE PHASE            | FIGURE 2 |
|            | 1301530250   | 30053-0M5P      | THREE PHASE W/ NEUTRAL | FIGURE 3 |
| AUTOMATIC  | 1301530251   | 30053-0A6P      | SPLIT PHASE            | FIGURE 1 |
|            | 1301530252   | 30053-0A3P      | THREE PHASE            | FIGURE 2 |
|            | 1301530253   | 30053-0A2P      | THREE PHASE            | FIGURE 2 |
|            | 1301530254   | 30053-0A5P      | THREE PHASE W/ NEUTRAL | FIGURE 3 |

|   |                                      |   |          |                               |                    |                     |  |                        |  |
|---|--------------------------------------|---|----------|-------------------------------|--------------------|---------------------|--|------------------------|--|
| UPDATED SPECS<br>EC NO: IPG2014-1788<br>DRWN: BARDEN 2014/04/14<br>CHKD: HKNEELAN 2014/04/30<br>APPR: JFMURPHY 2014/03/27 | QUALITY SYMBOLS<br>▽=0<br>▽=0<br>▽=0 | GENERAL TOLERANCES (UNLESS SPECIFIED)   |          | DIMENSION STYLE<br>INCH       |                    | SCALE<br>NTS        | DESIGN UNITS<br>INCH   | THIRD ANGLE PROJECTION |  |
|   |                                      | 4 PLACES  | ±---     | ±---                          | DRAWN BY           | DATE                | TITLE<br><b>PORTABLE GFCI WITH LEADS<br/>         30AMP SPLIT &amp; 3 PHASE<br/>         #10/4&amp;5 CABLE</b> |                        |  |
|   |                                      | 3 PLACES  | ±---     | ±.005                         | BARDEN             | 2014/01/07          |  |                        |  |
|   |                                      | 2 PLACES  | ±0.13    | ±.010                         | CHECKED BY         | DATE                |  |                        |  |
| 1 PLACE   | ±0.25                                | ±.020   | HKNEELAN | 2014/03/07                    |                    |                     |  |                        |  |
| ANGULAR ±.5°  |                                      | DRAFT WHERE APPLICABLE<br>MUST REMAIN<br>WITHIN DIMENSIONS  |          | APPROVED BY<br>JFMURPHY       | DATE<br>2014/03/27 | MOLEX INCORPORATED  |  |                        |  |
| MATERIAL NO.  |                                      | SEE CHART   |          | DOCUMENT NO.<br>SD-130153-040 |                    | SHEET NO.<br>1 OF 1 |  |                        |  |
| SIZE<br>B   |                                      | THIS DRAWING CONTAINS INFORMATION THAT IS PROPRIETARY TO MOLEX INCORPORATED AND SHOULD NOT BE USED WITHOUT WRITTEN PERMISSION |          |                               |                    |                     |  |                        |  |