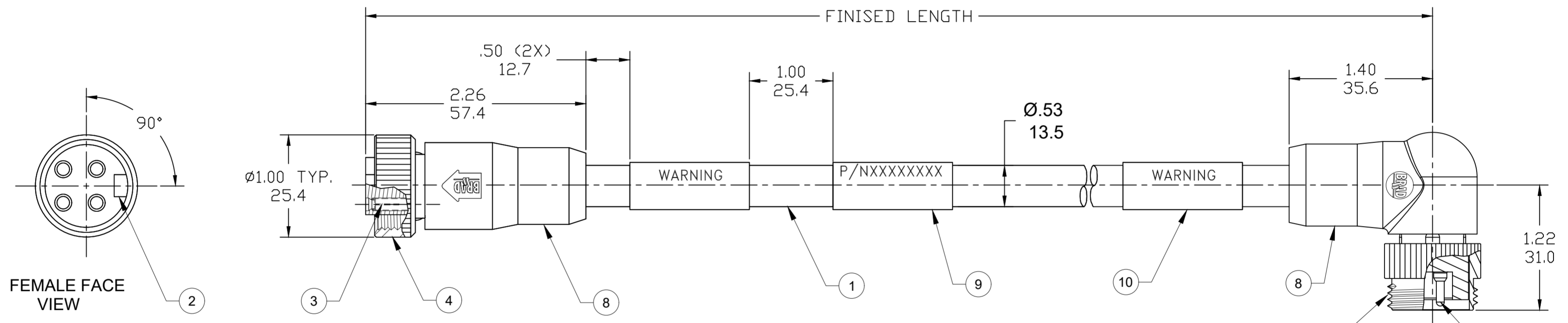


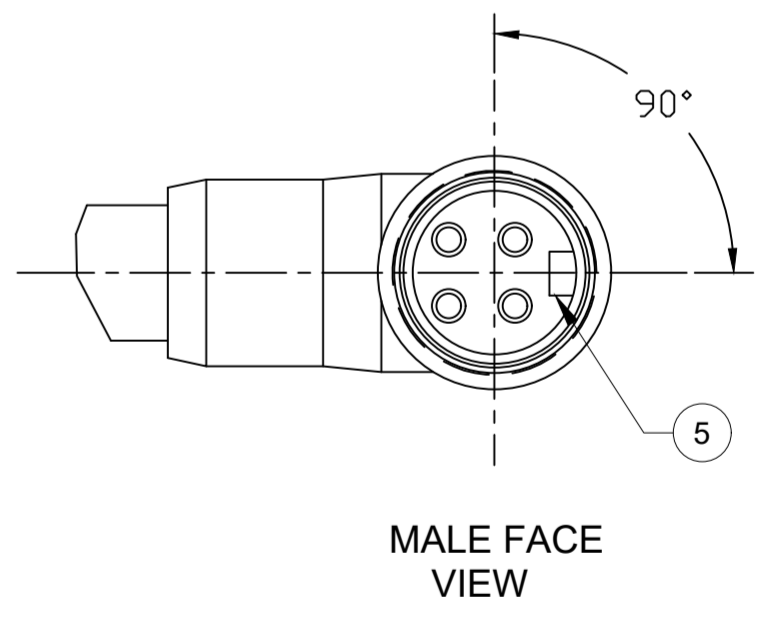
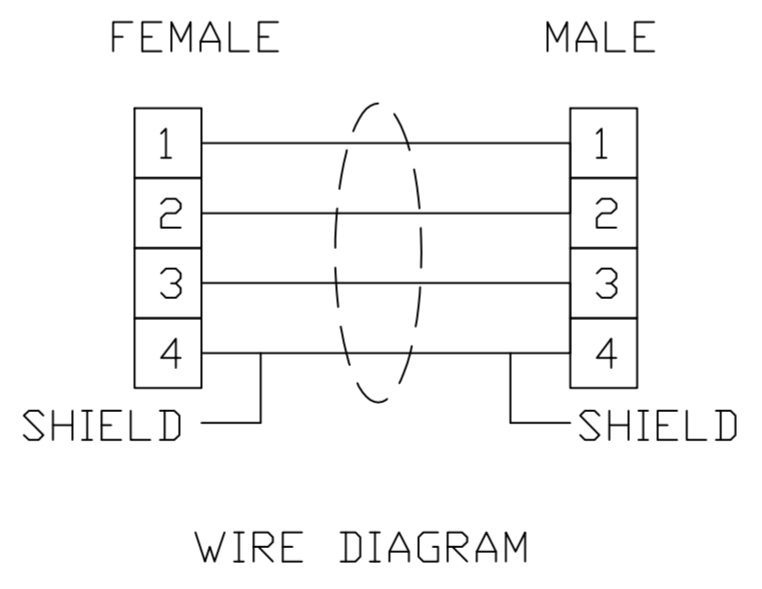
| PART NO. | ENGINEERING NO. | FINISHED LENGTH |
|------------|-----------------|-----------------|
| 1300621276 | 114032K31M010 | 1M (3' 3") |
| 1300621277 | 114032K31M020 | 2M (6' 7") |
| 1300621283 | 114032K31M100 | 10M (32' 10") |

CABLE LENGTH TOLERANCES
 <.3M [1FT]: +19mm-0 [+ .75in-0]
 .3 - .9M [1 - 3FT]: +44.5mm-0 [+1.75in-0]
 .9 - 1.8M [3 - 6FT]: +55.6mm-0 [+2.19in-0]
 1.8 - 3.7M [6 - 12FT]: +88.9mm-0 [+3.50in-0]
 3.7 - 7.3M [12 - 24FT]: +165.1mm-0 [+6.50in-0]
 7.3-14.6M [24 - 48FT]: +317.5mm-0 [+12.50in-0]
 14.6 - 30.5M [48-100FT]: +622.3mm-0 [+24.50in-0]
 OVER 30M [100FT] +2% OF FINISHED LENGTH

PART NUMBER LEGEND
 114032K31M010
 CABLE TYPE: 16/4 TC-ER TPE SHLD FLEX
 FINISHED LENGTH:
 M005= 0.5 METER
 M010= 1 METER
 M100= 10 METER



- NOTES:**
- MATERIAL: AS NOTED
 - FINISH: AS NOTED
 - ELECTRICAL:
 VOLTAGE: 483 PER IEC 60664
 600 PER UL 2237
 CURRENT: 10A
 - TEMP RATING: -25°TO +90°C
 - PROTECTION: IP67 (WHEN MATED)
 - COUPLING THREAD: 7/8-16 UN
 - CABLE FLEX CYCLE RATING: 10 MILLION
 - AGENCY APPROVAL: UL 2237 PENDING
 - ALL DIMS ARE FOR REFERENCE UNLESS TOLERANCED OR NOTED OTHERWISE



| 10 | WARNING LABEL | VINYL | BLACK/DRANGE |
|------|-------------------------|---------------|--------------|
| 9 | WRAP LABEL | VINYL | BLACK/YELLOW |
| 8 | OVERMOLD | TPE | GRAY |
| 7 | COUPLING, MALE | ZINC DIE CAST | BLACK |
| 6 | CONTACT PIN | COPPER ALLOY | GOLD PLATED |
| 5 | MALE INSERT (A-SIZE) | TPE | BLACK |
| 4 | COUPLING, FEMALE | ZINC DIE CAST | BLACK |
| 3 | CONTACT SOCKET | COPPER ALLOY | GOLD PLATED |
| 2 | FEMALE INSERT (A-SIZE) | TPE | BLACK |
| 1 | CABLE, 16AWG VFD (FLEX) | TPE JACKET | BLACK |
| ITEM | DESCRIPTION | MATERIAL | FINISH |

THIS DRAWING CONTAINS INFORMATION THAT IS PROPRIETARY TO MOLEX ELECTRONIC TECHNOLOGIES, LLC AND SHOULD NOT BE USED WITHOUT WRITTEN PERMISSION

FUNCTIONAL SYMBOLS: FA=0, FE=0, FP=0

DIMENSION UNITS: INCH/MM, SCALE: NTS

GENERAL TOLERANCES (UNLESS SPECIFIED): 4 PLACES ±.004, 3 PLACES ±.003, 2 PLACES ±.002, 1 PLACE ±.001, 0 PLACES ±.0005

ANGULAR TOL ±.0005°

THIRD ANGLE PROJECTION, DRAFT WHERE APPLICABLE MUST REMAIN WITHIN DIMENSIONS

CURRENT REV DESC: UPDATE BORDER, CORRECT CABLE LENGTH TOLS.

EC NO: 667859
 DRWN: RSTONE 2021/06/22
 CHK'D: CCHRSTKA 2021/06/23
 APPR: BWOODMAN 2021/06/25

INITIAL REVISION:
 DRWN: RSTONE 2019/02/26
 APPR: BWOODMAN 2019/08/14

molex
 BRAD POWER CABLE ASSY
 4P MALE/FEM 90/STR 16AWG BLACK TPE VFD

PRODUCT CUSTOMER DRAWING

DOCUMENT NUMBER: SD-130062-044
 DOC TYPE: PSD
 DOC PART: 001
 REVISION: A2

MATERIAL NUMBER: SEE P/N LEGEND
 CUSTOMER: GENERAL MARKET
 SHEET NUMBER: 1 OF 1