

**PART No MATRIX :**

**E R W P A U 7 0 1 6 B K M X X X**

E=ETHERNET

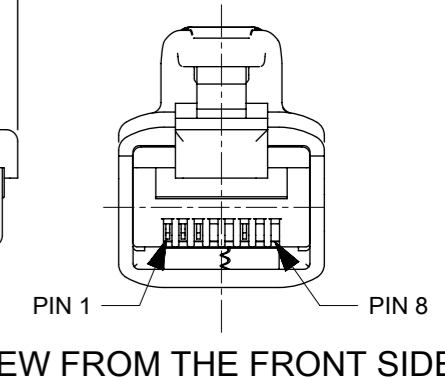
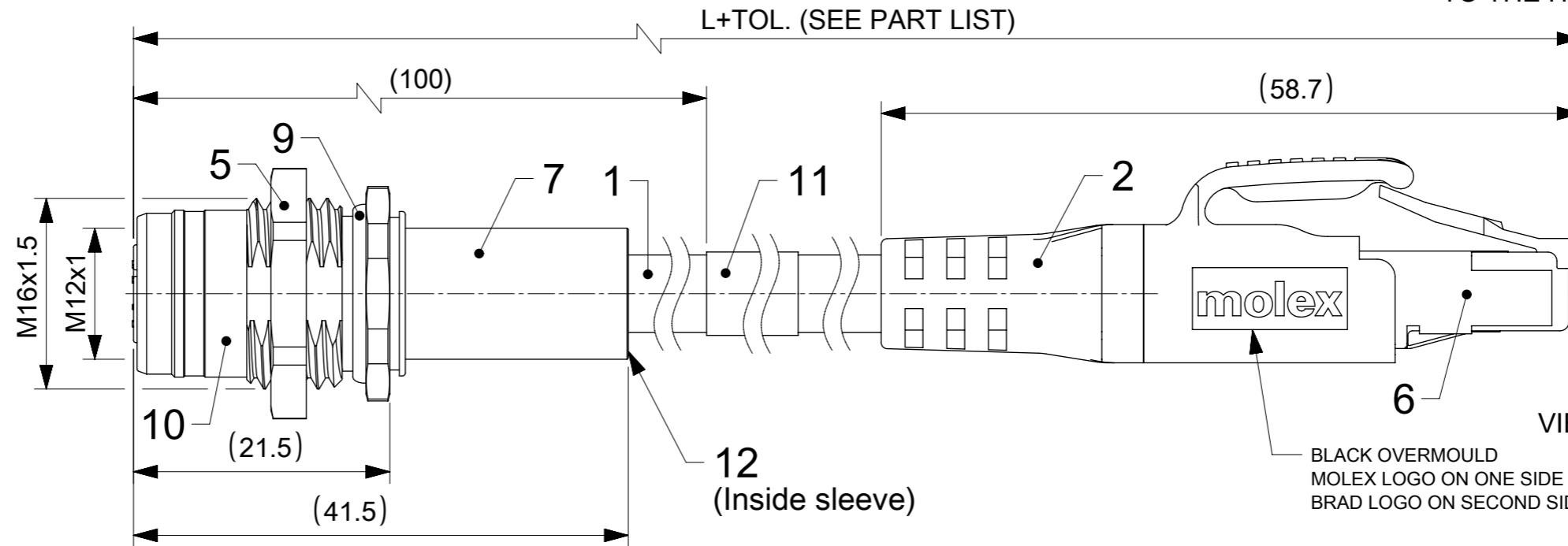
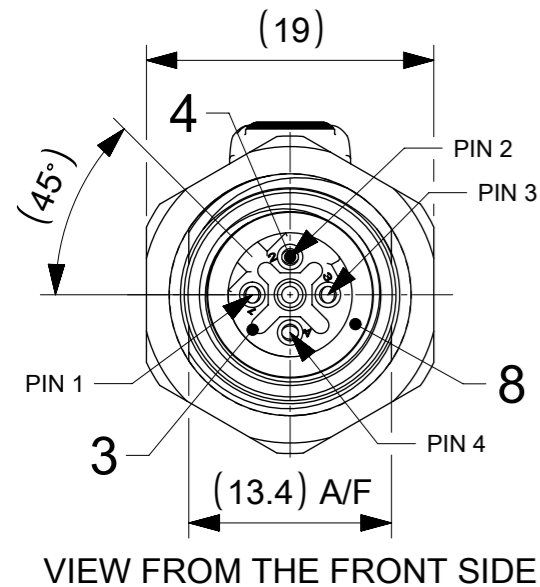
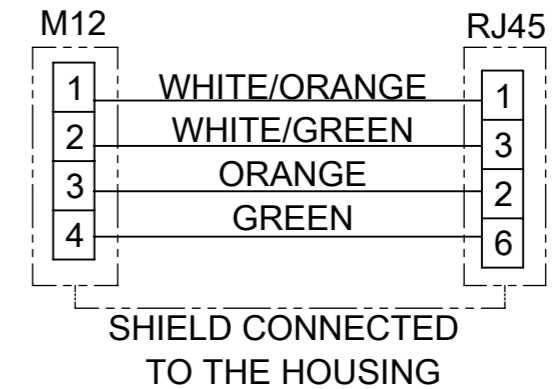
HEADS STYLE :  
FEMALE STR REC / MALE STR

CABLE TYPE :

UNITS :  
M= METER  
T=10x METER

LENGTH EXAMPLES  
005=0.5m  
010=1m  
150=15m

**WIRING DIAGRAM**



BLACK OVERMOULD  
MOLEX LOGO ON ONE SIDE  
BRAD LOGO ON SECOND SIDE

**CONNECTOR SPECIFICATION :**

VOLTAGE RATING : 60V  
AMPERAGE RATING : 1.5 A  
IP PROTECTION :  
RJ45 CONNECTOR : IP20  
M12 RECEPTACLE : IP67 (When mated and panel mounted)  
IP20 (Unmounted)  
OPERATING TEMPERATURE : -40°C TO 80°C

**CABLE SPECIFICATION :**

CONDUCTOR :  
MATERIAL : BARE COPPER  
SECTION : 19x0.12 mm<sup>2</sup>  
INSULATION :  
COMPOUND : POLYOLEFIN  
COLORS : ORANGE, ORANGE-WHITE,  
GREEN, GREEN-WHITE.  
DIAMETER : Ø1.20 NOMINAL  
JACKET :  
COMPOUND : PUR (TEAL)  
COLOR : TEAL  
DIAMETER : Ø6.5 NOMINAL

TRANSMISSION CHARACTERISTICS ACCORDING TO ISO/IEC 11801 CATEGORY 5e  
PATCH CORD PROFINET TYPE C

**PART LIST**

MOLEX PN	ENGINEERING NO.	L[mm]
1201088973	ERWPAU7016BKM005	500
1201088974	ERWPAU7016BKM010	1000
1201088975	ERWPAU7016BKM020	2000
1201088976	ERWPAU7016BKM030	3000
1201088977	ERWPAU7016BKM050	5000
1201088978	ERWPAU7016BKM100	10000

**BOM**

ITEM	QTY.	DESCRIPTION	MATERIAL	FINISH/COLOR
12	-	RESIN	-	-
11	1	LABEL	VINYL	YELLOW
10	1	M12 SHELL	BRASS	Ni-PLATED
9	1	O-RING	NBR	BLACK
8	1	GASKET	FPM	RED
7	1	CABLE SLEEVE	BRASS	Ni-PLATED
6	1	RJ45 PLUG	-	-
5	1	HEX. NUT	BRASS	Ni-PLATED
4	4	CONTACT 10 MALE	BRONZE	SELECTIVE GOLD NICKEL OVER
3	1	INSERT M12 MA 4P	PUR	BLACK
2	-	MOULDING MATERIAL	TPU	BLACK
1	-	CABLE	PUR	BLACK

CABLE LENGTH TOLERANCES	
LENGTH	TOLERANCE
0m-1m	+40 mm
>1m-5m	+60 mm
>5m-10m	+80 mm
>10m-20m	+140 mm
>20m-30m	+160 mm
>30m	+1% length

FUNCTIONAL SYMBOLS ▽A = 0 ▽E = 0 ▽V = 0	THIS DRAWING CONTAINS INFORMATION THAT IS PROPRIETARY TO MOLEX ELECTRONIC TECHNOLOGIES, LLC AND SHOULD NOT BE USED WITHOUT WRITTEN PERMISSION	SCALE 2:1	CURRENT REV DESC: EC NO: 689781 DRWN: MDHARMANTI 2021/08/09 CHK'D: RSILLER 2021/12/21 APPR: RSILLER 2021/12/21 INITIAL REVISION: DRWN: MDHARMANTI 2021/08/09 APPR: RSILLER 2021/12/21								
	DIMENSION UNITS mm	GENERAL TOLERANCES (UNLESS SPECIFIED) ANGULAR TOL ± 1.0° 4 PLACES ± 3 PLACES ± 2 PLACES ± 0.05 1 PLACE ± 0.3 0 PLACES ± 0.5					PRODUCT CUSTOMER DRAWING				
DIVISIONAL SYMBOLS	DRAFT WHERE APPLICABLE MUST REMAIN WITHIN DIMENSIONS	THIRD ANGLE PROJECTION	DRAWING A3-SIZE	SERIES 120108	MATERIAL NUMBER SEE PART LIST	CUSTOMER GENERAL MARKET	DOCUMENT NUMBER 1201088973	DOC TYPE PSD	DOC PART 000	REVISION A	SHEET NUMBER 1 OF 1