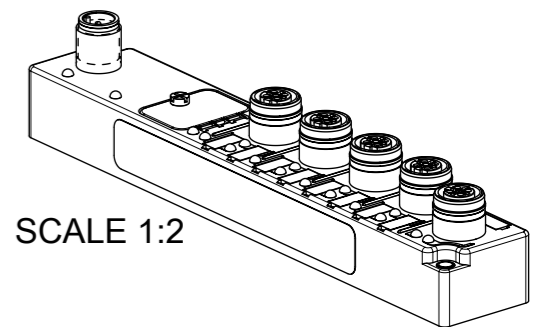
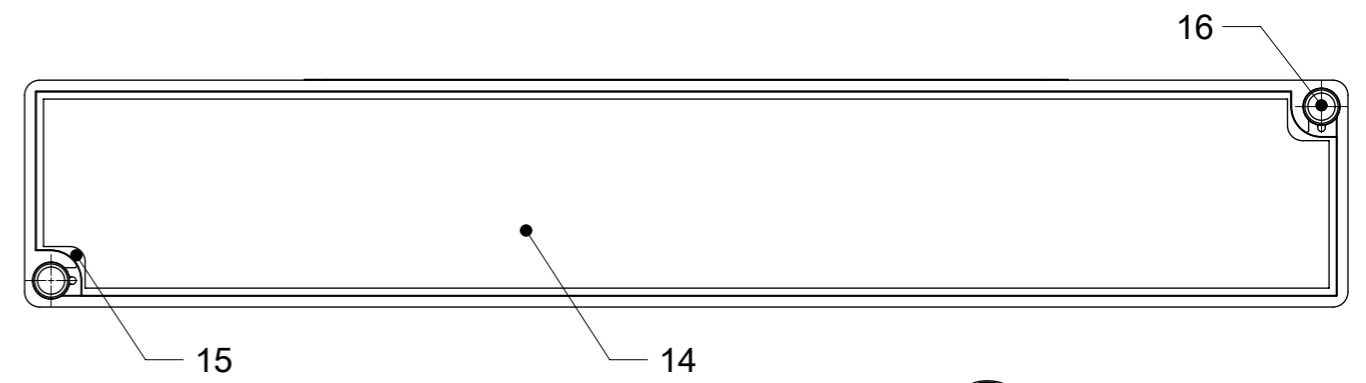
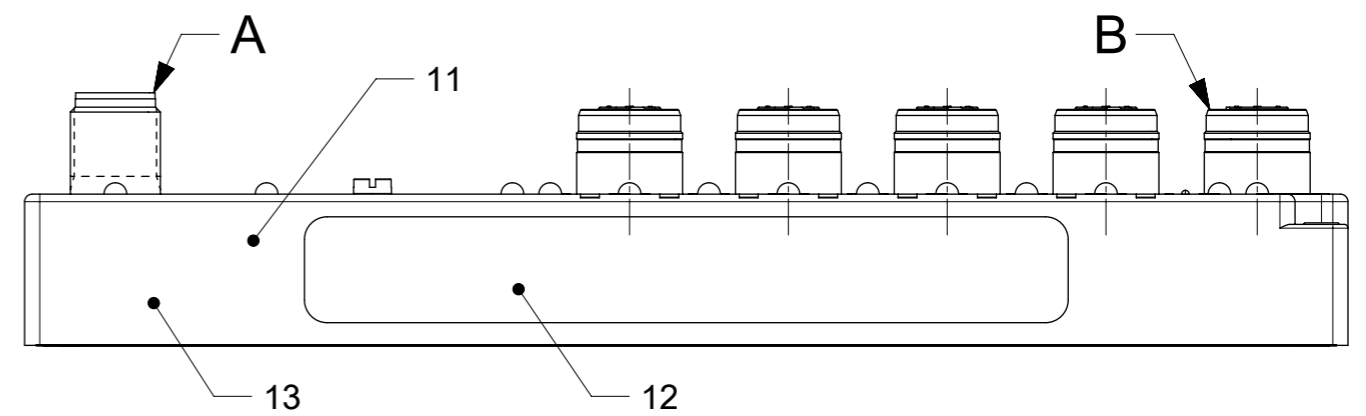
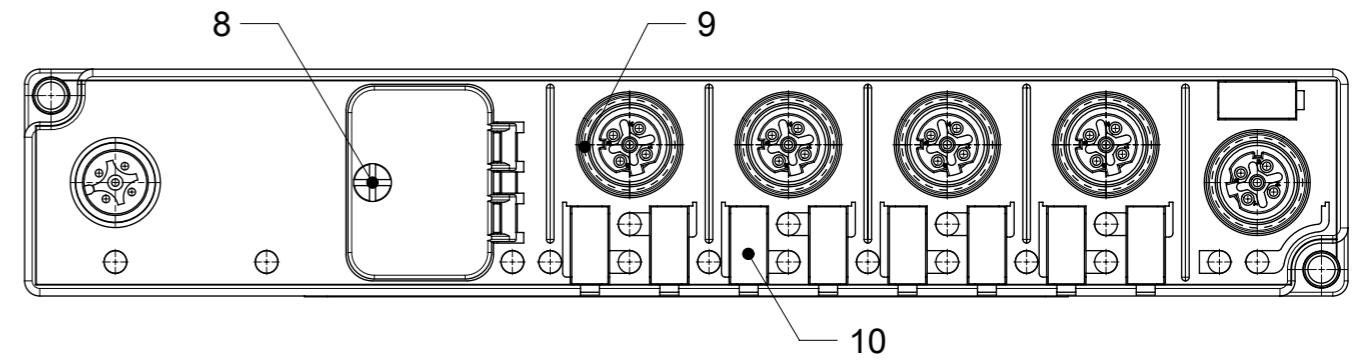
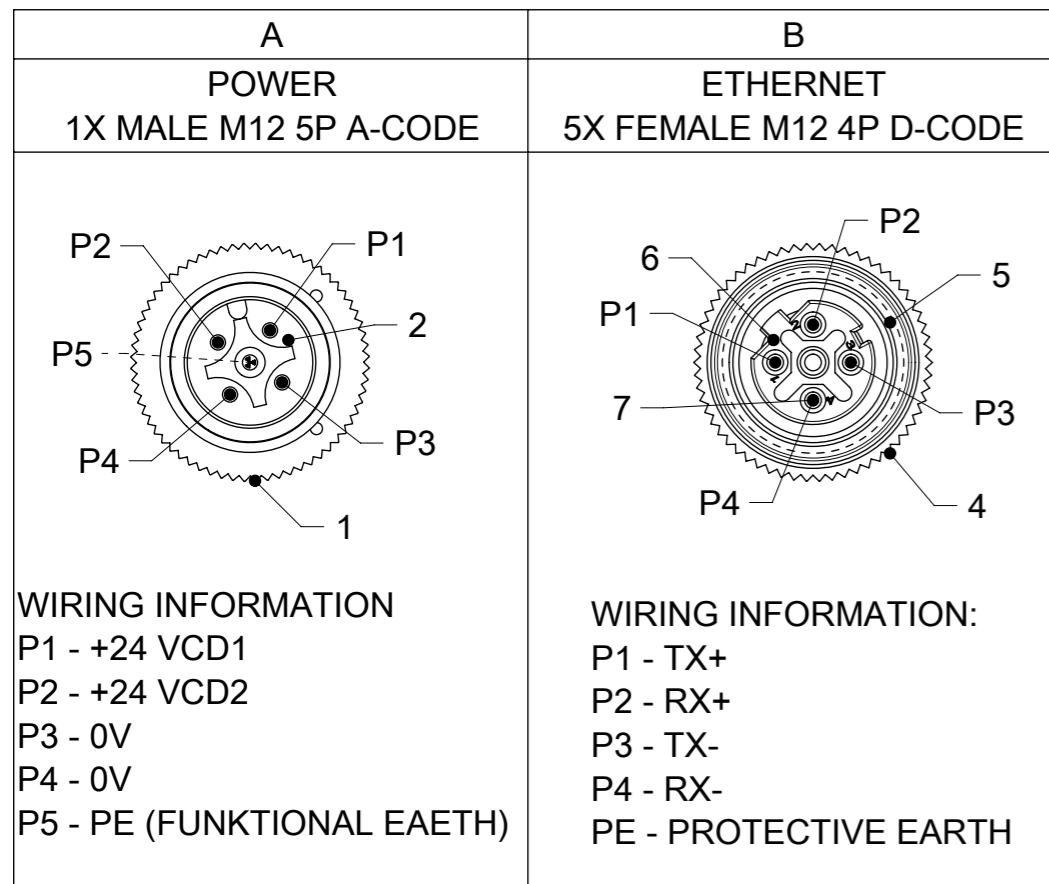


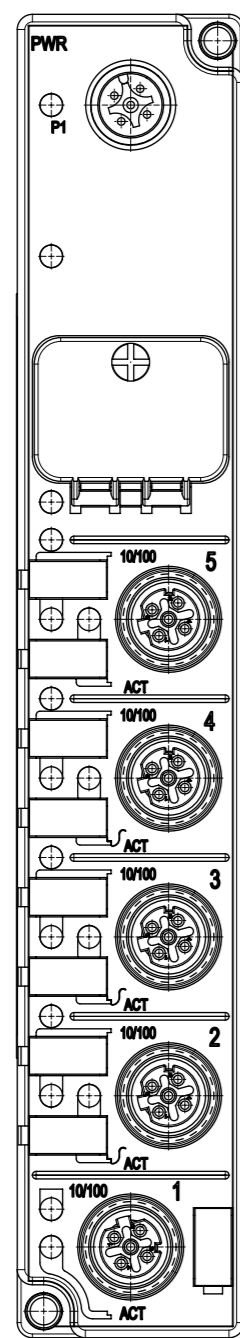
THIS DRAWING CONTAINS INFORMATION THAT IS PROPRIETARY TO MOLEX ELECTRONIC TECHNOLOGIES, LLC AND SHOULD NOT BE USED WITHOUT WRITTEN PERMISSION										
QUALITY SYMBOLS	EC NO: 111427 DRWN: ULETTENMEIER CHK'D: APPR: RSILLER	2016/11/30 2016/12/14	GENERAL TOLERANCES (UNLESS SPECIFIED)		DIMENSION UNITS	SCALE				
			ANGULAR TOL ± ° 4 PLACES ± 3 PLACES ± 2 PLACES ± 1 PLACE ± 0.3 0 PLACES ± 0.5	MM	1:1					
▽A = 0	DRAFT WHERE APPLICABLE MUST REMAIN WITHIN DIMENSIONS	A3	DRWN BY		DATE		DBO ETH SW 30 MM U12 4P 5PT FE M12 5P MA			
▽E = 0			ULETTENMEIER		2015/01/19					
▽EB = 0			CHK'D BY		DATE		PRODUCT CUSTOMER DRAWING			
▼ = 0			RSILLER		2015/05/20					
▽C = 0			APPR BY		DATE		SERIES	MATERIAL NUMBER	CUSTOMER	
⊠ = 0			DRAWING SIZE		THIRD ANGLE PROJECTION		112111	SEE TABLE 1	GENERAL MARKET	
■ = 0	A3				DOCUMENT NUMBER		DOC TYPE	DOC PART	SHEET NUMBER	
▽ = 0					1121115001		PSD	000	1 OF 3	



BILL OF MATERIAL

ITEM	DESCRIPTION	MATERILA	FINISH
1	SHELL	BRASS	NICKEL PLATET
2	INSERT	PVC	BLACK
3	CONTACT	COPPER ALLOY	GOLD OVER NICKEL
4	SHELL	BRASS	NICKEL PLATET
5	GASKET	FPM	RED
6	INSERT	PVC	BLACK
7	CONTACT	COPPER ALLOY	GOLD OVER NICKEL
8	SCREW	V2A	V2A
9	WINDOW	PC	BLACK
10	LABEL	PC	WHITE
11	LED	PA	TRANSPARENT
12	LABEL	PVC	YELLOW
13	HOUSING	PBT	BLACK
14	LABEL	PVC	WHITE
15	RESIN	EPOXY	TRANSPARENT
16	SLEEVE	BRASS	NICKEL

QUALITY SYMBOLS 	THIS DRAWING CONTAINS INFORMATION THAT IS PROPRIETARY TO MOLEX ELECTRONIC TECHNOLOGIES, LLC AND SHOULD NOT BE USED WITHOUT WRITTEN PERMISSION				
	EC NO: 111427 DRWN: ULETTENMEIER CHK'D: RSILLER APPR: RSILLER	2016/11/30 2016/12/14	GENERAL TOLERANCES (UNLESS SPECIFIED) ANGULAR TOL ± ° 4 PLACES ± 3 PLACES ± 2 PLACES ± 1 PLACE ± 0.3 0 PLACES ± 0.5 DRAFT WHERE APPLICABLE MUST REMAIN WITHIN DIMENSIONS	DIMENSION UNITS: MM SCALE: 1:1 DRWN BY: ULETTENMEIER DATE: 2015/01/19 CHK'D BY: RSILLER DATE: 2015/05/20 APPR BY: RSILLER DATE: 2015/05/20 DRAWING SIZE: A3 THIRD ANGLE PROJECTION	
	PRODUCT CUSTOMER DRAWING			DBO ETH SW 30 MM U12 4P 5PT FE M12 5P MA	
	SERIES: 112111 DOCUMENT NUMBER: 1121115001	MATERIAL NUMBER: SEE TABLE 1 DOC TYPE: PSD	CUSTOMER: GENERAL MARKET DOC PART: 000	SHEET NUMBER: 2 OF 3	



ETHERNET SWITCH PRINTING

TABLE 1 ETHERNET SWITCH			
POWER TYPE	ENG.NO.	MOLEX P/N	3D MODEL NO.
M12 MALE 5P	DRL-750	1121115001	1121115001 (PDM)

QUALITY SYMBOLS ▽ _A = 0 ▽ _E = 0 ▽ _{EP} = 0 ▼ = 0 ▽ _C = 0 ⊗ = 0 ■ = 0 ▽ = 0	THIS DRAWING CONTAINS INFORMATION THAT IS PROPRIETARY TO MOLEX ELECTRONIC TECHNOLOGIES, LLC AND SHOULD NOT BE USED WITHOUT WRITTEN PERMISSION											
	EC NO: 111427 DRWN: ULETTENMEIER CHK'D: APPR: RSILLER	2016/11/30 2016/12/14	GENERAL TOLERANCES (UNLESS SPECIFIED)		DIMENSION UNITS	SCALE						
			ANGULAR TOL ± °		MM	1:1						
			4 PLACES ±	DRWN BY		DATE		DBO ETH SW 30 MM U12 4P 5PT FE M12 5P MA				
			3 PLACES ±	ULETTENMEIER		2015/01/19						
			2 PLACES ±	CHK'D BY		DATE		PRODUCT CUSTOMER DRAWING				
	1 PLACE ± 0.3	RSILLER		2015/05/20								
	0 PLACES ± 0.5	DRAFT WHERE APPLICABLE MUST REMAIN WITHIN DIMENSIONS		DRAWING SIZE	THIRD ANGLE PROJECTION	SERIES	MATERIAL NUMBER	CUSTOMER				
	A3	REV	3	A3		112111	SEE TABLE 1	GENERAL MARKET				
						DOCUMENT NUMBER	DOC TYPE	DOC PART	SHEET NUMBER			
					1121115001	PSD	000	3 OF 3				