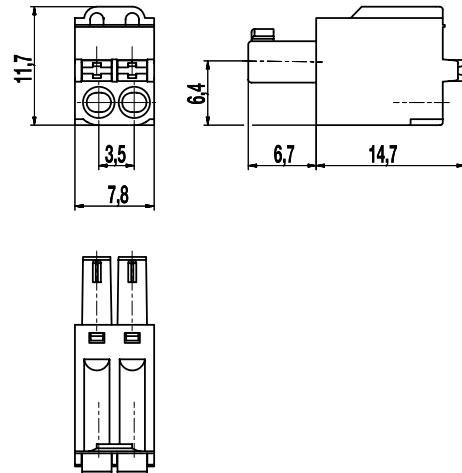


# 110-FEP-111

Plug connector  
Screwless connection, Push-In



## GENERAL INFORMATION

Pitch	3,5 mm
No. of poles	2 - 24
Usable with	110-ME-111, 110-ME-121

## TECHNICAL DATA

Clamping Range	<i>solid / stranded / AWG</i> 0,2 - 2,5 mm <sup>2</sup> / 0,2 - 2,5 mm <sup>2</sup> / 24 - 14 AWG
Rated Cross Section	1,5 mm <sup>2</sup> / 16 AWG
Wire Stripping Length	max. 10 mm
Rated Impulse Voltage	2,5 kV
Rated Insulation Voltage	160 V acc. EN 61984
Rated Current	8A

## APPROVALS

	Current [A]	Voltage [V]	Group	AWG	[Nm]
	11	300	B, D	30-14	

## MATERIAL

Moulding	PA V0, housing black, pusher orange
Insulating Group	I
Temperature Range	-40°C up to 130°C
Terminal body	copper alloy, tin-plated
Spring	Steel

## CONFIGURATIONS

Poles	Item	Article number	Length (L)	Packaging	PU
2	110-FEP-111/02	10.842.552	7,8 mm	Box	250
3	110-FEP-111/03	10.842.553	11,3 mm	Box	250
4	110-FEP-111/04	10.842.554	14,8 mm	Box	250
5	110-FEP-111/05	10.842.555	18,3 mm	Box	
6	110-FEP-111/06	10.842.556	21,8 mm	Box	
7	110-FEP-111/07	10.842.557	25,3 mm	Box	
8	110-FEP-111/08	10.842.558	28,8 mm	Box	
9	110-FEP-111/09	10.842.559	32,3 mm	Box	250
10	110-FEP-111/10	10.842.560	35,8 mm	Box	
11	110-FEP-111/11	10.842.561	39,3 mm	Box	
12	110-FEP-111/12	10.842.562	42,8 mm	Box	

further number of poles on request

